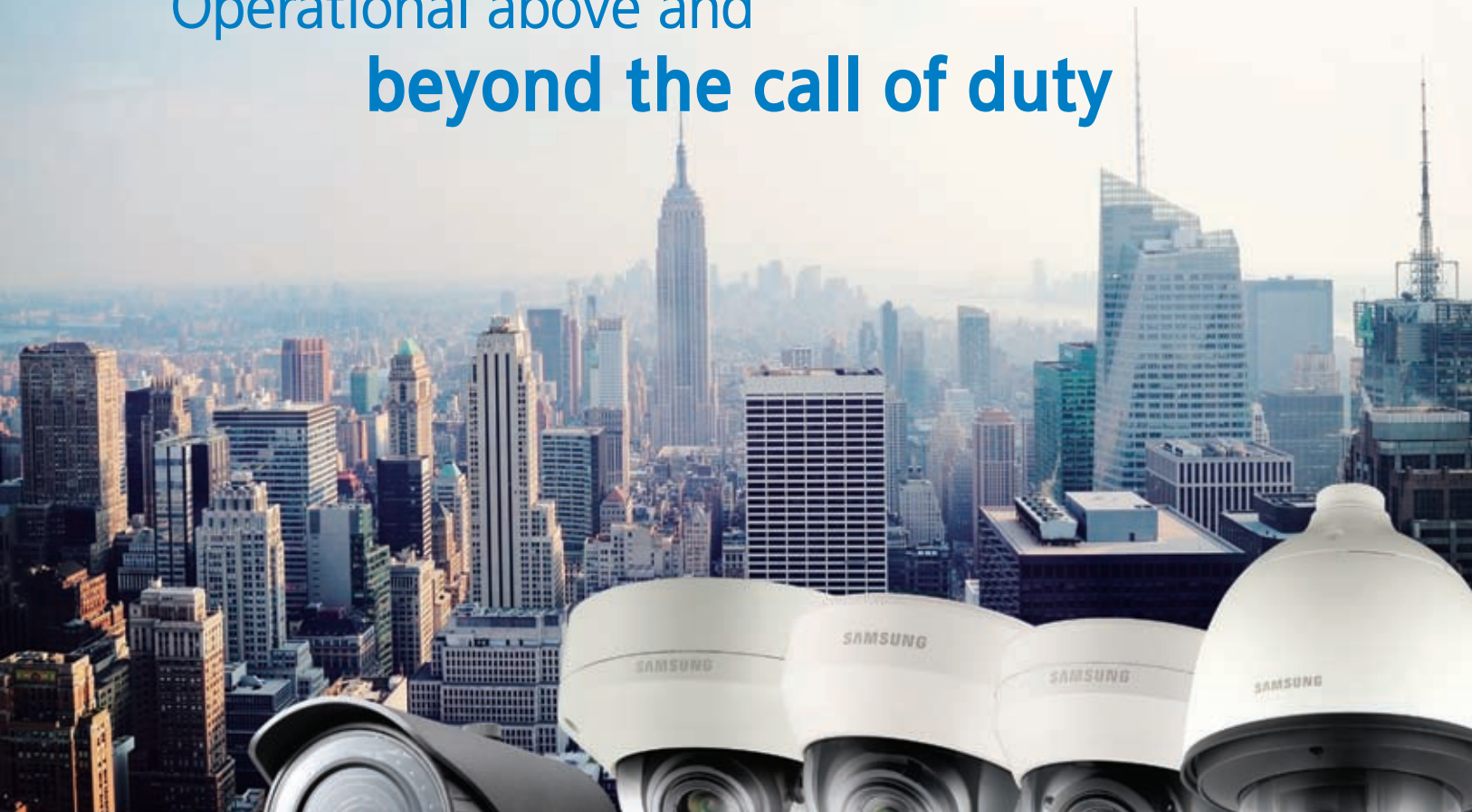


Operational above and  
**beyond the call of duty**

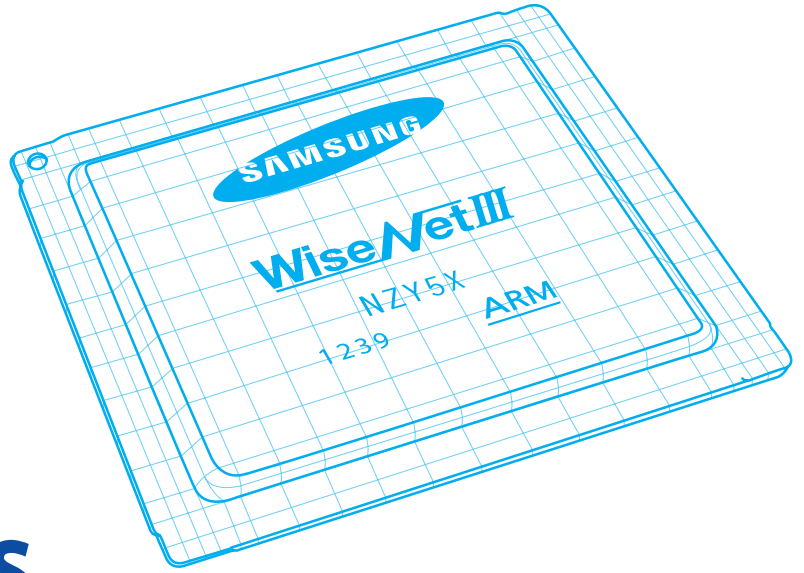


**WiseNet III**

THE WISE CHOICE FOR PROFESSIONALS

WiseNet III

# The Wise Choice for Professionals



The WiseNetIII features the most advanced functions from Samsung with 1.3 megapixel to 3 megapixel cameras for high definition images. Designed to meet the market needs, WiseNetIII cameras will be the standard product for the professional security systems.



## Unrivaled Image Quality

- SSLE (Samsung Super Light Enhancer)
- 120dB WDR
- Defog
- Enhanced DIS
- P-Iris



## Efficient Network Transmission

- 30fps@3MP, 60fps@2MP/1.3MP
- Improved bandwidth utilization
- Multi-crop Streaming



## User Convenience

- Simple focus
- Support various web browsers
- Convenient installation
- Motion / Audio / Face detection



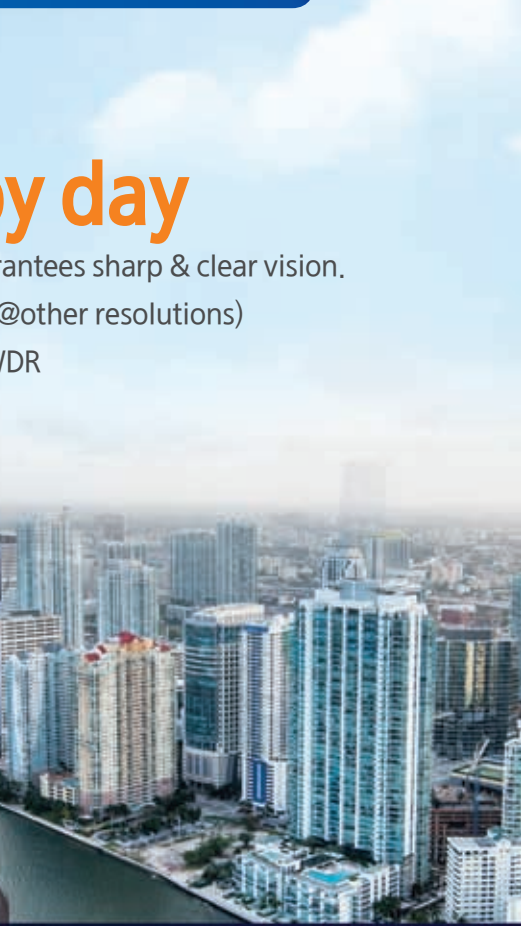
## Network Total Solution

- Samsung Total Network Solution



## Hawk by day

- : 3M full line-up guarantees sharp & clear vision.
- 30fps@3M (60fps@other resolutions)
- 120dB Real-time WDR



## Owl by night

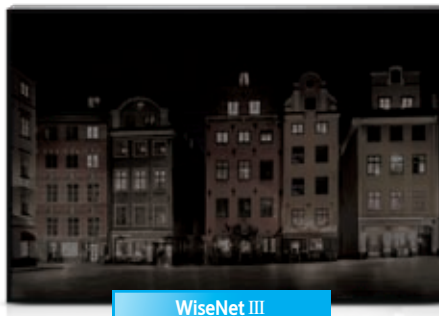
- : Enhance the level of safety in night, WN3 strengthens its nocturnal feature, called SSLE (Samsung Super Light Enhancer).
- 3MP : 0.06Lux, 2MP : 0.03Lux, 1MP : 0.008Lux

# Unrivaled Image Quality

## SSLE (Samsung Super Light Enhancer)

WiseNetIII range cameras incorporate SSLE, Samsung Super Light Enhancer technology, which produce great color images in low light condition. With SSLE, even under low light conditions such as at night users can monitor the scene in 3 megapixel mode, so that there is little chance of any movement in dark areas being missed.

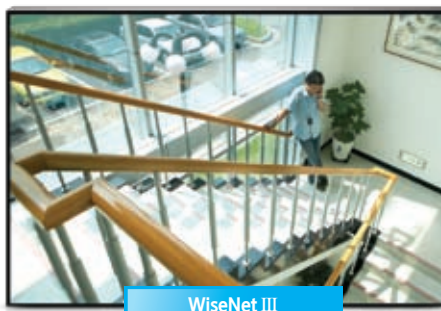
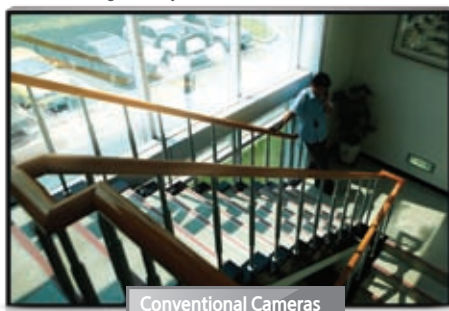
	3MP	2MP	1.3MP
min. Illumination	0.06Lux	0.03Lux	0.008Lux



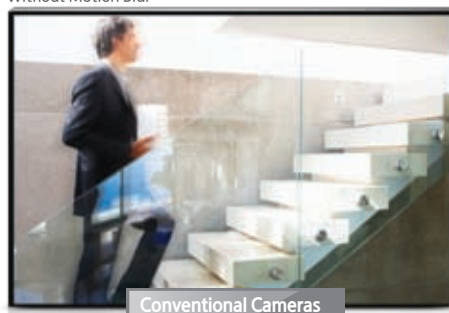
## 3MP 120dB WDR (Wide Dynamic Range)

The WDR function built into the WiseNetIII series provides 30fps of 3MP enhanced picture quality, by reducing motion blur and processing clearer images. While working with a contrast ratio of approximately 120dB the WDR feature accurately reproduces the detail of the images in scenes that simultaneously contain very bright and very dark areas.

Enhanced Image Quality



Without Motion Blur



## Defog

Defog can be used to help improve the captured image in poor weather conditions such as smog, fog, or smoke. The visibility of the cameras can be enhanced in any weather condition.



## Enhanced DIS (Digital Image Stabilization)

Previously only seen in analog CCDs, Samsung's new WiseNetIII CMOS sensor now incorporates Digital Image Stabilization (DIS) technology, which negates the effects of a camera shaking due to high wind or building vibration. DIS also greatly reduces the rolling shutter effect such as image wobble or skew that can often be seen in high quality images. With enhanced DIS technology, the problems of monitoring using a camera installed on a pole or in windy conditions can be reduced. This also assists in the capture/detection of fast moving car number plates.



## P-Iris

The entire WiseNetIII 3MP (except fisheye cameras) supports P-Iris, which optimizes the iris function when multiple lighting conditions exist in a single scene, which results in images with better contrast, clarity, resolution and depth of field. The optimization of the resolution at both the center and corner of the image, as well as the depth of field and shutter speed, provide increased image sharpness especially effective in megapixel cameras such as the WiseNetIII series. (Applied models : SNB-7004/6005/6004/6003/5004/5003, SNO/SND/SNV-7084(R)/6084(R)/5084(R))



# Efficient Network Transmission

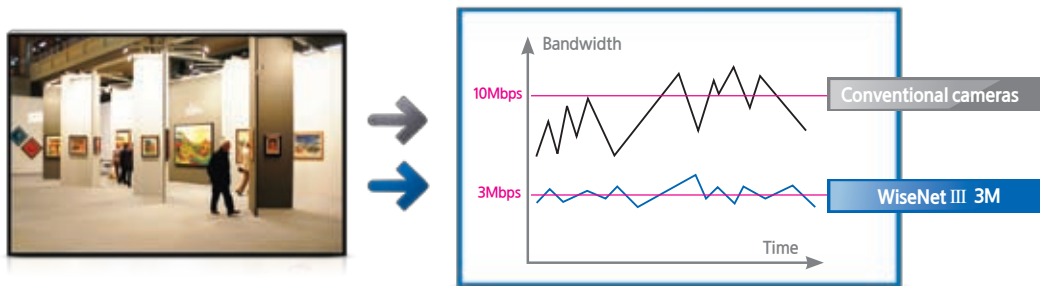
## 30fps@3Megapixel Resolution

From Samsung's powerful WiseNetIII encoding technology, the cameras have an ultra fast framerate of 30fps at 3MP (60fps at 2MP) resolution, this results in latency free clear images. It is possible to utilize this framerate in multiple ways. For example, using 30fps at 3MP (60fps at 2MP) resolution, can be particularly beneficial when viewing moving objects to ensure that any edges are kept sharp and clear.



## Improved Bandwidth Utilization

By applying an advanced compression technology, the WiseNetIII network camera's streaming performance is greatly enhanced. The cameras can process the data streaming using 30% of the network bandwidth of other products. Because of this improved bandwidth technology, seamless image transfer is possible even when there is limited network bandwidth available, with the additional benefit of improved storage efficiency.



## Multi-crop Streaming up to 9 areas

Multi-crop streaming, allows users to highlight/crop areas of the scene up to 9 areas within total 30fps(3MP)/60fps(2MP) so that only those areas of interest will be transmitted from the camera in a predetermined resolution and framerate. This flexibility in the video's resolution and framerate allows a much smarter and efficient use of the network's bandwidth, resulting in reduced data size and storage capacity.



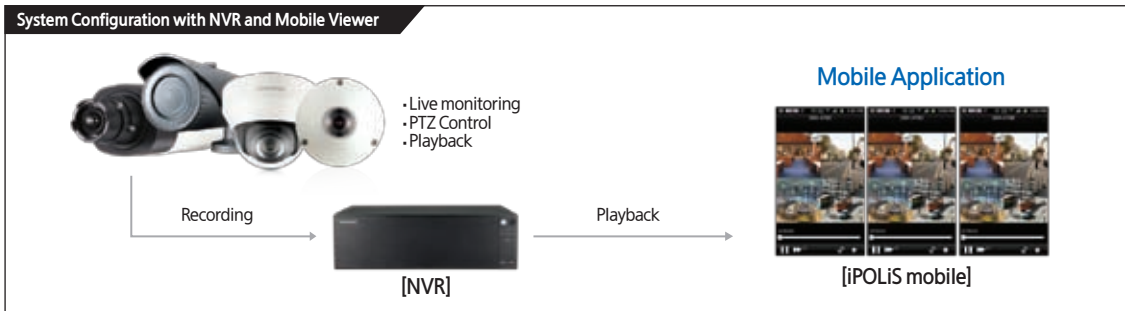
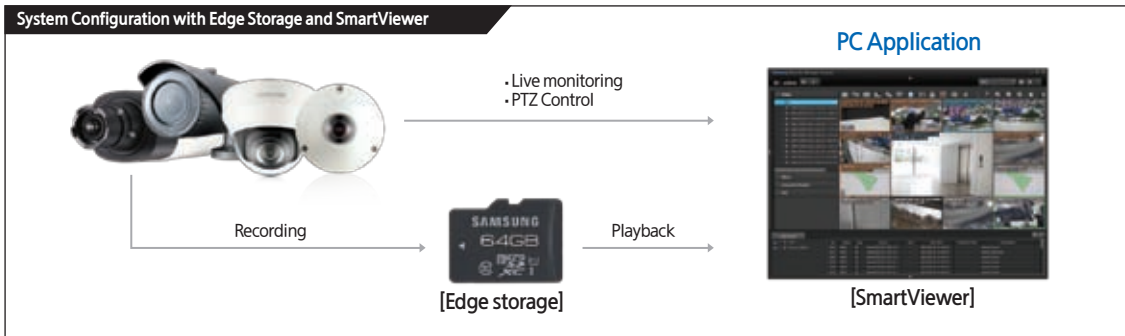
# Network Total Solution

## Samsung Network Products Solution

The WiseNetIII cameras have been designed to be compatible with existing Samsung mobile, storage, and camera monitoring software.

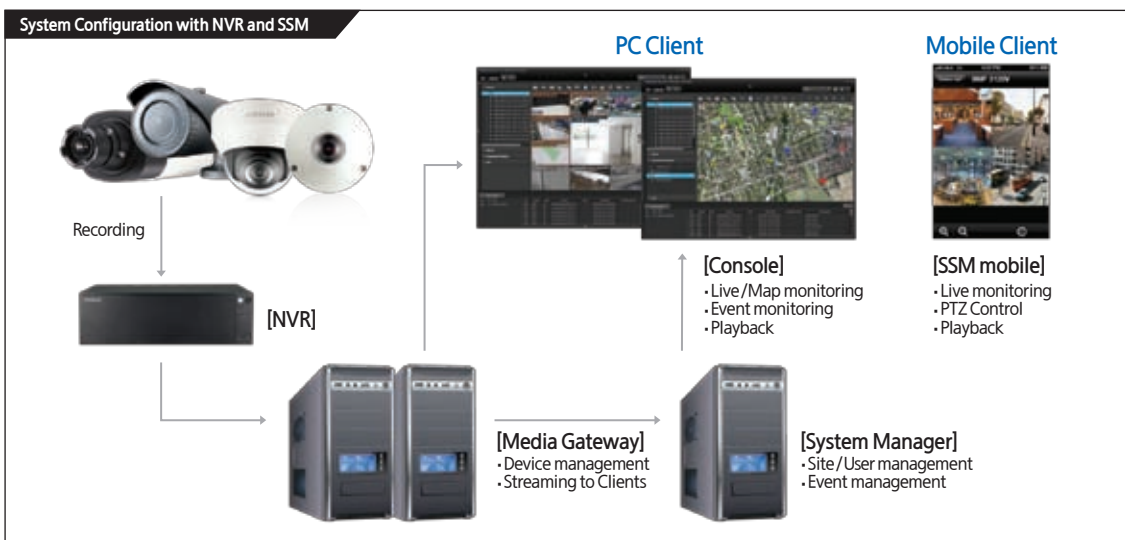
### Small Application

For the small application, users can use edge storage as a recording solution, SmartViewer CMS for management and iPOLiS mobile for Smartphone monitoring.



### Mid / Large System

For the mid/large application, hardware/software NVRs can be used as the recording solution while Samsung Security Manager (SSM) can be used as the monitoring/management software.



# User Convenience

## Simple Focus

Simple Focus, Samsung's automatic focus technology allows the camera to move the image sensor's position in box cameras, while in dome cameras a motorized varifocal lens with a remote control function will control these adjustments. For WiseNetIII ranges of box and dome cameras, users can also adjust the optimal focus remotely via the network, greatly reducing the installation /optimization time of the camera.



## Multi-browser Support

WiseNetIII cameras utilized NPAPI (Netscape Plugin Application Programming Interface) this plug-in architecture removes the limitation on supporting resolution and web-browser types, which had caused problems with other network cameras. NPAPI is designed to satisfy both sides, the operating system and a solution for adopting Samsung's optimized security system codec. Utilizing NPAPI, Google Chrome, Safari, Firefox, and IE can be used to monitor the WiseNetIII cameras.



## Compatibility with Major ISV & Open platform

WiseNetIII cameras utilize the ONVIF protocol that allows for the interoperability between compatible devices from 3<sup>rd</sup> party companies; to achieve this, simply select one of the profiles from the list that provides user's required features.

\* The ISV & Open platform partnership will be expanded gradually.



- People counting
- Intrusion detection
- Queue management
- License plate recognition
- Face capture and recognition
- Transit & Cargo recognition



## Motion / Audio / Face Detection

Motion detection technology built-into WiseNetIII greatly reduced the false alarm rate and greatly improved the efficiency of the operators, by learning what is the normal motion of the scene it can ignore it, such as waves in the sea or the leaf movement of trees. This technology has also been adopted for audio detection, so that the camera will only recognize abnormal noise levels. Face detection is also available and will detect up to 35 faces in the scene, these will be listed on the NVR as separate events for quick recall.



## Easy Installation

WiseNetIII dome cameras are pigtail and cable bundle free (in the past these bundles had often made the installation more complicated and time consuming), yet provide the option to plug-in cables as required in an area that allows ample room for cable movement making it more convenient, improve installation time and total cost of ownership.



# Product Comparison Chart

Box



**WiseNet III**  
**SNB-7004**

**WiseNet III**  
**SNB-6011**

**WiseNet III**  
**SNB-6010**

**WiseNet III**  
**SNB-6005**

**WiseNet III**  
**SNB-6004**

**WiseNet III**  
**SNB-6003**

	3MP	2MP	2MP	2MP	2MP	2MP
<b>Resolution</b>	3MP	2MP	2MP	2MP	2MP	2MP
<b>Imaging Device</b>	1/2.8" 3.2M CMOS	1/2.8" 2.38M CMOS	1/2.8" 2.38M CMOS	1/1.9" 2.4M CMOS	1/2.8" 2.38M CMOS	1/2.8" 2.38M CMOS
<b>Video Compression Format</b>	H.264, MJPEG	H.264, MJPEG	H.264, MJPEG	H.264, MJPEG	H.264, MJPEG	H.264, MJPEG
<b>Resolution / Max. Frame Rate</b>	3M / 30fps	2M / 30fps	2M / 30fps	2M / 60fps	2M / 60fps	2M / 60fps
<b>Streaming Capacity</b>	Multiple (Up to 10 profiles)	Multiple (Up to 10 profiles)	Multiple (Up to 10 profiles)	Multiple (Up to 10 profiles)	Multiple (Up to 10 profiles)	Multiple (Up to 10 profiles)
<b>Max. User Access</b>	15 (Unicast)	15 (Unicast)	15 (Unicast)	15 (Unicast)	15 (Unicast)	15 (Unicast)
<b>VIDEO</b>						
<b>Min. Illumination (30 IRE)</b>	Color : 0.06Lux B/W : 0.006Lux	* Color : 0.3Lux	* Color : 0.5Lux	Color : 0.015Lux B/W : 0.0015Lux	Color : 0.03Lux B/W : 0.002Lux	Color : 0.03Lux B/W : 0.03Lux
<b>Video Output</b>	CVBS 1.0Vpp DIP connector type	CVBS 1.0Vpp DIP connector type	-	CVBS 1.0Vpp DIP connector type	CVBS 1.0Vpp DIP connector type	CVBS 1.0Vpp DIP connector type
<b>Lens</b>	-	2.4mm fixed (F 2.0)	4.6mm pinhole (F 2.5)	-	-	-
<b>Angular Field of View</b>	-	H : 134.3° / V : 70.9°	H 71° / V 38°	-	-	-
<b>Focus Control</b>	Simple focus / Manual	-	-	Simple focus / Manual	Simple focus / Manual	Manual
<b>OPERATIONAL</b>						
<b>IR Viewable Length</b>	-	-	-	-	-	-
<b>Pan / Tilt / Rotate</b>	-	-	-	-	-	-
<b>Day &amp; Night</b>	True (ICR)	Electrical	Electrical	True (ICR)	True (ICR)	Electrical
<b>Backlight Compensation</b>	WDR (120dB)	WDR (120dB)	WDR (120dB)	WDR (120dB)	WDR (120dB)	WDR (120dB)
<b>Digital Noise Reduction</b>	SSNR III (2D+3D noise filter)	SSNR III (2D+3D noise filter)	SSNR III (2D+3D noise filter)	SSNR III (2D+3D noise filter)	SSNR III (2D+3D noise filter)	SSNR III (2D+3D noise filter)
<b>Digital Image Stabilization</b>	Support	Support	Support	Support	Support	Support
<b>Intelligent Video Analytics</b>	Tampering, Virtual line, Enter / Exit, (Dis)Appear, Audio detection, Face detection	Tampering, Virtual line, Enter / Exit, (Dis)Appear,	Tampering, Virtual line, Enter / Exit, (Dis)Appear,	Tampering, Virtual line, Enter / Exit, (Dis)Appear, Audio detection, Face detection with metadata	Tampering, Virtual line, Enter / Exit, (Dis)Appear, Audio detection, Face detection	Tampering, Virtual line, Enter / Exit, (Dis)Appear, Audio detection, Face detection
<b>FEATURES</b>						
<b>Protocol</b>	ONVIF profile S, SVNP, SUNAPI	ONVIF profile S, SVNP, SUNAPI	ONVIF profile S, SVNP, SUNAPI	ONVIF profile S, SVNP, SUNAPI	ONVIF profile S, SVNP, SUNAPI, Open platform	ONVIF profile S, SVNP, SUNAPI, Open platform
<b>Alarm I/O</b>	1 / 1	1 / 1	1 / 1	1 / 1	1 / 1	1 / 1
<b>Audio</b>	Bi-directional	-	-	Bi-directional	Bi-directional	Bi-directional
<b>Edge Storage</b>	micro SD/SDHC/SDXC, NAS	SD/SDHC/SDXC, NAS	micro SD/SDHC/SDXC, NAS	SD/SDHC/SDXC	SD/SDHC/SDXC, NAS	SD/SDHC/SDXC, NAS
<b>Environment Protection</b>	-	-	-	-	-	-
<b>Operating Temperature</b>	-10°C ~ +55°C (+14°F ~ +131°F)	-10°C ~ +55°C (+14°F ~ +131°F)	-10°C ~ +55°C (+14°F ~ +131°F)	-10°C ~ +55°C (+14°F ~ +131°F)	-10°C ~ +55°C (+14°F ~ +131°F)	-10°C ~ +55°C (+14°F ~ +131°F)
<b>Power</b>	AC 24V (Max. 13.1W) DC 12V (Max. 11.1W) PoE (Max. 12.6W)	DC 12V (Max. 6.5W) PoE (Max. 7.5W)	DC 12V (Max. 6.5W) PoE (Max. 7.5W)	AC 24V (Max. 11.44W) DC 12V (Max. 10.1W) PoE (Max. 11.1W)	AC 24V (Max. 11.44W) DC 12V (Max. 10.1W) PoE (Max. 11.1W)	AC 24V (Max. 9.5W) DC 12V (Max. 8.38W) PoE (Max. 9.18W)
<b>Dimensions (WxHxD) / Weight</b>	73.1 x 66.6 x 147.8mm (2.88" x 2.62" x 5.82") 430g (0.95 lb)	Head : Ø24.0 x 50.0mm (Ø0.94" x 1.97"), 315g (0.69 lb) (Include cable) Body : 76.0 x 121.1 x 28.0 (2.99" x 4.77" x 1.1"), 290g (0.64 lb)	Head : Ø25.0 x 44.0mm (Ø0.98" x 1.73"), 20g (0.04 lb) Body : 76.0 x 121.1 x 28.0 (2.99" x 4.77" x 1.1"), 285g (0.63 lb)	73.1 x 66.6 x 147.8mm (2.88" x 2.62" x 5.82") 430g (0.95 lb)	73.1 x 66.6 x 147.8mm (2.88" x 2.62" x 5.82") 395g (0.87 lb)	73.1 x 66.6 x 136.2mm (2.88" x 2.62" x 5.36") 330g (0.73 lb)
<b>Additional Features</b>	P-Iris, RS-485, Defog	Separated head and body, Defog	Separated head and body, Defog	P-Iris, RS-485, Defog	P-Iris, RS-485, Defog	P-Iris, RS-485, Defog

\* Min. Illumination (50 IRE)

## Box / Zoom Box / IR Bullet



**WiseNet III**  
**SNB-5004**



**WiseNet III**  
**SNB-5003**



**WiseNet III**  
**SNZ-6320**



**WiseNet III**  
**SNO-7084R**



**WiseNet III**  
**SNO-6084R**



**WiseNet III**  
**SNO-6011R**

	1.3MP	1.3MP	2MP	3MP	2MP	2MP
<b>Resolution</b>	1.3MP	1.3MP	2MP	3MP	2MP	2MP
<b>Imaging Device</b>	1/3" 1.3M CMOS	1/3" 1.3M CMOS	1/2.8" 2.38M CMOS	1/2.8" 3.2M CMOS	1/2.8" 2.38M CMOS	1/2.8" 2.38M CMOS
<b>Video Compression Format</b>	H.264, MJPEG	H.264, MJPEG	H.264, MJPEG	H.264, MJPEG	H.264, MJPEG	H.264, MJPEG
<b>Resolution / Max. Frame Rate</b>	1.3M / 60fps	1.3M / 60fps	2M / 60fps	3M / 30fps	2M / 60fps	2M / 30fps
<b>Streaming Capacity</b>	Multiple (Up to 10 profiles)	Multiple (Up to 10 profiles)	Multiple (Up to 10 profiles)	Multiple (Up to 10 profiles)	Multiple (Up to 10 profiles)	Multiple (Up to 10 profiles)
<b>Max. User Access</b>	15 (Unicast)	15 (Unicast)	10 (Unicast)	15 (Unicast)	15 (Unicast)	15 (Unicast)
<b>Min. Illumination (30 IRE)</b>	Color : 0.008Lux B/W : 0.002Lux	Color : 0.008Lux B/W : 0.008Lux	Color : 0.15Lux B/W : 0.015Lux	Color : 0.06Lux B/W : 0Lux (IR LED on)	Color : 0.03Lux B/W : 0Lux (IR LED on)	Color : 0.08Lux B/W : 0Lux (IR LED on)
<b>Video Output</b>	CVBS 1.0Vpp DIP connector type	CVBS 1.0Vpp DIP connector type	CVBS 1.0Vpp DIP connector type	CVBS 1.0Vpp DIP connector type	CVBS 1.0Vpp DIP connector type	CVBS 1.0Vpp
<b>Lens</b>	-	-	4.44 ~ 142.6mm (Optical 32x) F1.6(Wide) / F4.4(Tele)	3 ~ 8.5mm (2.8x) Motorized V/F (F1.2)	3 ~ 8.5mm (2.8x) Motorized V/F (F1.2)	3.8mm fixed (F2.0)
<b>Angular Field of View</b>	-	-	H : 62.8° (Wide) ~ 2.23° (Tele) / V : 36.8° (Wide) ~ 1.26° (Tele)	H : 100.12° (Wide) ~ 35.38° (Tele) / V : 73.76° (Wide) ~ 26.58° (Tele)	H : 105.5° (Wide) ~ 37.1° (Tele) / V : 57.5° (Wide) ~ 21.0° (Tele)	H : 84.5° / V : 45.8° / D : 98.8°
<b>Focus Control</b>	Simple focus / Manual	Manual	Auto / Manual / One push	Simple focus (Motorized V/F) / Manual	Simple focus (Motorized V/F) / Manual	Manual
<b>IR Viewable Length</b>	-	-	-	30m (98.43ft)	30m (98.43ft)	15m (49.21ft)
<b>Pan / Tilt / Rotate</b>	-	-	-	-	-	-
<b>Day &amp; Night</b>	True (ICR)	Electrical	True (ICR)	True (ICR)	True (ICR)	True (ICR)
<b>Backlight Compensation</b>	WDR (130dB)	WDR (130dB)	WDR (120dB)	WDR (120dB)	WDR (120dB)	WDR (120dB, 15fps)
<b>Digital Noise Reduction</b>	SSNR III (2D+3D noise filter)	SSNR III (2D+3D noise filter)	SSNR III (2D+3D noise filter)	SSNR III (2D+3D noise filter)	SSNR III (2D+3D noise filter)	SSNR III (2D+3D noise filter)
<b>Digital Image Stabilization</b>	Support	Support	Support	Support	Support	Support
<b>Intelligent Video Analytics</b>	Tampering, Virtual line, Enter / Exit, (Dis)Appear, Audio detection, Face detection	Tampering, Virtual line, Enter / Exit, (Dis)Appear, Audio detection, Face detection	Tampering, Virtual line, Enter / Exit, (Dis)Appear, Audio detection, Face detection	Tampering, Virtual line, Enter / Exit, (Dis)Appear, Audio detection, Face detection	Tampering, Virtual line, Enter / Exit, (Dis)Appear, Audio detection, Face detection	Tampering, Virtual line, Enter / Exit, (Dis)Appear, Face detection with metadata
<b>Protocol</b>	ONVIF profile S, SVNP, SUNAPI, Open platform	ONVIF profile S, SVNP, SUNAPI, Open platform	ONVIF profile S, SVNP, SUNAPI, Open platform	ONVIF profile S, SVNP, SUNAPI, Open platform	ONVIF profile S, SVNP, SUNAPI, Open platform	ONVIF profile S, SVNP, SUNAPI, Open platform
<b>Alarm I/O</b>	1/1	1/1	1/1 (Relay)	1/1	1/1	1/0
<b>Audio</b>	Bi-directional	Bi-directional	Bi-directional	Bi-directional	Bi-directional	-
<b>Edge Storage</b>	SD/SDHC/SDXC, NAS	SD/SDHC/SDXC, NAS	SD/SDHC/SDXC, NAS	micro SD/SDHC/SDXC, NAS	micro SD/SDHC/SDXC, NAS	micro SD/SDHC/SDXC
<b>Environment Protection</b>	-	-	-	IP66, IK10	IP66, IK10	IP66
<b>Operating Temperature</b>	-10°C ~ +55°C (+14°F ~ +131°F)	-10°C ~ +55°C (+14°F ~ +131°F)	-10°C ~ +55°C (+14°F ~ +131°F)	AC 24V : -50°C ~ +55°C (-58°F ~ +131°F) / DC 12V, PoE : -20°C ~ +55°C (-4°F ~ +131°F) *Start up above -10°C (+14°F)	AC 24V : -50°C ~ +55°C (-58°F ~ +131°F) / DC 12V, PoE : -20°C ~ +55°C (-4°F ~ +131°F) *Start up above -10°C (+14°F)	-30°C ~ +55°C (-22°F ~ +131°F) *Start up above -10°C (+14°F)
<b>Power</b>	AC 24V (Max. 12.5W) DC 12V (Max. 10.5W) PoE (Max. 12.0W)	AC 24V (Max. 12.5W) DC 12V (Max. 10.5W) PoE (Max. 12.0W)	DC 12V (Max. 9.0W) PoE (Max. 10.0W)	AC 24V (Max. 13.0W / 19.0W - Heater on) DC 12V (Max. 11.5W) PoE (Max. 12.5W)	Max. 11W - Heater off AC 24V (Max. 17W - Heater on)	PoE (Max. 8.5W)
<b>Dimensions (WxHxD) / Weight</b>	73.1 x 66.6 x 147.8mm (2.88" x 2.62" x 5.82") 395g (0.87 lb)	73.1 x 66.6 x 136.2mm (2.88" x 2.62" x 5.36") 330g (0.73 lb)	72.0 x 59.9 x 135.4mm (2.83" x 2.36" x 5.33") 540g (1.19 lb)	82.4 x 82.4 x 312.6mm (3.24" x 3.24" x 12.31") 1.19Kg (2.62 lb) (With sunshield)	82.4 x 82.4 x 312.6mm (3.24" x 3.24" x 12.31") 1.19Kg (2.62 lb) (With sunshield)	77.1 x 83.0 x 302.4mm (3.04" x 3.27" x 11.91") 560g (1.23 lb)
<b>Additional Features</b>	P-Iris, RS-485, Defog	P-Iris, RS-485, Defog	RS-485, Defog	P-Iris, Defog	P-Iris, Defog	Defog

# Product Comparison Chart

## IR Bullet / Fisheye / Dome



**WiseNet III**  
**SNO-5084R**

**WiseNet III**  
**SNF-7010/7010V/7010VM**

**WiseNet III**  
**SND-7084**

**WiseNet III**  
**SND-6084**

**WiseNet III**  
**SND-6083**

**WiseNet III**  
**SND-5084**

	SNO-5084R	SNF-7010/7010V/7010VM	SND-7084	SND-6084	SND-6083	SND-5084
<b>Resolution</b>	1.3MP	3MP	3MP	2MP	2MP	1.3MP
<b>Imaging Device</b>	1/3" 1.37M CMOS	1/2.8" 3M CMOS	1/2.8" 3.2M CMOS	1/2.8" 2.38M CMOS	1/2.8" 2.38M CMOS	1/3" 1.3M CMOS
<b>Video Compression Format</b>	H.264, MJPEG	H.264, MJPEG	H.264, MJPEG	H.264, MJPEG	H.264, MJPEG	H.264, MJPEG
<b>Resolution / Max. Frame Rate</b>	1.3M / 60fps	3M / 20fps	3M / 30fps	2M / 60fps	2M / 60fps	1.3M / 60fps
<b>Streaming Capacity</b>	Multiple (Up to 10 profiles)	Multiple (Up to 6 profiles)	Multiple (Up to 10 profiles)	Multiple (Up to 10 profiles)	Multiple (Up to 10 profiles)	Multiple (Up to 10 profiles)
<b>Max. User Access</b>	15 (Unicast)	15 (Unicast)	15 (Unicast)	15 (Unicast)	15 (Unicast)	15 (Unicast)
<b>Min. Illumination (30 IRE)</b>	Color : 0.005Lux B/W : 0Lux (IR LED on)	* Color : 1.3Lux	Color : 0.06Lux B/W : 0.006Lux	Color : 0.03Lux B/W : 0.002Lux	Color : 0.03Lux B/W : 0.03Lux	Color : 0.008Lux B/W : 0.002Lux
<b>VIDEO</b>						
<b>Video Output</b>	CVBS 1.0Vpp DIP connector type	-	CVBS 1.0Vpp DIP connector type	CVBS 1.0Vpp DIP connector type	CVBS 1.0Vpp DIP connector type	CVBS 1.0Vpp DIP connector type
<b>Lens</b>	3 ~ 8.5mm (2.8x) Motorized V/F (F1.2)	1.05mm fixed (F2.8)	3 ~ 8.5mm (2.8x) Motorized V/F (F1.2)	3 ~ 8.5mm (2.8x) Motorized V/F (F1.2)	3 ~ 8.5mm (2.8x) V/F (F1.2)	3 ~ 8.5mm (2.8x) Motorized V/F (F1.2)
<b>Angular Field of View</b>	H : 93.4° (Wide) ~ 33.1° (Tele) / V : 73.8° (Wide) ~ 26.5° (Tele)	H : 170° / V : 180° / D : 178°	H : 100.12° (Wide) ~ 35.38° (Tele) / V : 73.76° (Wide) ~ 26.58° (Tele)	H : 105.5° (Wide) ~ 37.1° (Tele) / V : 57.5° (Wide) ~ 21.0° (Tele)	H : 106.18° (Wide) ~ 37.1° (Tele) / V : 58.42° (Wide) ~ 20.94° (Tele)	H : 93.3° (Wide) ~ 33.2° (Tele) / V : 73.7° (Wide) ~ 26.6° (Tele)
<b>Focus Control</b>	Simple focus (Motorized V/F) / Manual	-	Simple focus (Motorized V/F) / Manual	Simple focus (Motorized V/F) / Manual	Manual	Simple focus (Motorized V/F) / Manual
<b>OPERATIONAL</b>						
<b>IR Viewable Length</b>	30m (98.43ft)	-	-	-	-	-
<b>Pan / Tilt / Rotate</b>	-	-	0° ~ 354° / 0° ~ 67° / 0° ~ 355°	0° ~ 354° / 0° ~ 67° / 0° ~ 355°	0° ~ 354° / 0° ~ 67° / 0° ~ 355°	0° ~ 354° / 0° ~ 67° / 0° ~ 355°
<b>Day &amp; Night</b>	True (ICR)	Electrical	True (ICR)	True (ICR)	Electrical	True (ICR)
<b>Backlight Compensation</b>	WDR (130dB)	WDR (120dB)	WDR (120dB)	WDR (120dB)	WDR (120dB)	WDR (130dB)
<b>Digital Noise Reduction</b>	SSNR III (2D+3D noise filter)	SSNR III (2D+3D noise filter)	SSNR III (2D+3D noise filter)	SSNR III (2D+3D noise filter)	SSNR III (2D+3D noise filter)	SSNR III (2D+3D noise filter)
<b>Digital Image Stabilization</b>	Support	-	Support	Support	Support	Support
<b>Intelligent Video Analytics</b>	Tampering, Virtual line, Enter / Exit, (Dis)Appear, Audio detection, Face detection	Audio detection, Tampering	Tampering, Virtual line, Enter / Exit, (Dis)Appear, Audio detection, Face detection	Tampering, Virtual line, Enter / Exit, (Dis)Appear, Audio detection, Face detection	Tampering, Virtual line, Enter / Exit, (Dis)Appear, Audio detection, Face detection	Tampering, Virtual line, Enter / Exit, (Dis)Appear, Audio detection, Face detection
<b>FEATURES</b>						
<b>Protocol</b>	ONVIF profile S, SVNP, SUNAPI	-	ONVIF profile S, SVNP, SUNAPI, Open platform	ONVIF profile S, SVNP, SUNAPI, Open platform	ONVIF profile S, SVNP, SUNAPI, Open platform	ONVIF profile S, SVNP, SUNAPI, Open platform
<b>Alarm I/O</b>	1/1	-	1/1	1/1	1/1	1/1
<b>Audio</b>	Bi-directional	Bi-directional	Bi-directional	Bi-directional	Bi-directional	Bi-directional
<b>Edge Storage</b>	micro SD/SDHC/SDXC	micro SD/SDHC/SDXC	micro SD/SDHC/SDXC, NAS	SD/SDHC/SDXC, NAS	SD/SDHC/SDXC, NAS	SD/SDHC/SDXC, NAS
<b>Environment Protection</b>	IP66, IK10	IP66, IK10, EN50155 (SNF-7010V/7010VM)	-	-	-	-
<b>Operating Temperature</b>	-30°C ~ +55°C (-22°F ~ +131°F)	-10°C ~ +55°C (+14°F ~ +131°F) (SNF-7010) -20°C ~ +55°C (-13°F ~ +131°F) (SNF-7010V/VM)	-10°C ~ +55°C (+14°F ~ +131°F)	-10°C ~ +55°C (+14°F ~ +131°F)	-10°C ~ +55°C (+14°F ~ +131°F)	-10°C ~ +55°C (+14°F ~ +131°F)
<b>Power</b>	AC 24V (Max. 12.0W, 13.5W - Heater on) DC 12V (Max. 10.0W, 11.5W - Heater on) PoE (Max. 1.5.0W, 12.95W - Heater on)	DC 12V, PoE (Max. 7.4W : SNF-7010/7010V) (Max. 6.5W : SNF-7010VM)	DC 12V (Max. 9.6W) PoE (Max. 11.6W)	DC 12V (Max. 8.79W) PoE (Max. 9.57W)	DC 12V (Max. 8.09W) PoE (Max. 8.94W)	DC 12V (Max. 9.0W) PoE (Max. 11.0W)
<b>Dimensions (WxHxD) / Weight</b>	82.4 x 82.4 x 312.6mm (3.24" x 3.24" x 12.31") 1.17Kg (2.58 lb) (With sunshield)	Ø128.8 x 45.0mm (Ø5.07" x 1.77") (SNF-7010) Ø128.8 x 55.7mm (Ø5.07" x 2.19") (SNF-7010V/7010VM)	Ø132.1 x 107.6mm (Ø5.2" x 4.24") 605g (1.33 lb)	Ø132.1 x 107.6mm (Ø5.2" x 4.24") 505g (1.11 lb)	Ø132.1 x 107.6mm (Ø5.2" x 4.24") 485g (1.07 lb)	Ø132.1 x 107.6mm (Ø5.2" x 4.24") 525g (1.16 lb)
<b>Additional Features</b>	P-Iris, Defog	Defog, Various viewing compositions, M12 connector (SNF-7010VM)	P-Iris, Defog	P-Iris, Defog	Defog	P-Iris, Defog

\* Min. Illumination (50 IRE)

## Dome / IR Dome / Vandal-Resistant



**WiseNet III**  
**SND-5083**



**WiseNet III**  
**SND-7084R**



**WiseNet III**  
**SND-6084R**



**WiseNet III**  
**SND-6011R**



**WiseNet III**  
**SND-5084R**



**WiseNet III**  
**SNV-7084**

	SND-5083	SND-7084R	SND-6084R	SND-6011R	SND-5084R	SNV-7084
<b>Resolution</b>	1.3MP	3MP	2MP	2MP	1.3MP	3MP
<b>Imaging Device</b>	1/3" 1.3M CMOS	1/2.8" 3.2M CMOS	1/2.8" 2.38M CMOS	1/2.8" 2.38M CMOS	1/3" 1.3M CMOS	1/2.8" 3.2M CMOS
<b>Video Compression Format</b>	H.264, MJPEG	H.264, MJPEG	H.264, MJPEG	H.264, MJPEG	H.264, MJPEG	H.264, MJPEG
<b>Resolution / Max. Frame Rate</b>	1.3M / 60fps	3M / 30fps	2M / 60fps	2M / 30fps	1.3M / 60fps	3M / 30fps
<b>Streaming Capacity</b>	Multiple (Up to 10 profiles)	Multiple (Up to 10 profiles)	Multiple (Up to 10 profiles)	Multiple (Up to 10 profiles)	Multiple (Up to 10 profiles)	Multiple (Up to 10 profiles)
<b>Max. User Access</b>	15 (Unicast)	15 (Unicast)	15 (Unicast)	15 (Unicast)	15 (Unicast)	15 (Unicast)
<b>Min. Illumination (30 IRE)</b>	Color : 0.008Lux B/W : 0.002Lux	Color : 0.06Lux B/W : 0Lux (IR LED on)	Color : 0.03Lux B/W : 0Lux (IR LED on)	Color : 0.08Lux B/W : 0Lux (IR LED on)	Color : 0.005Lux B/W : 0Lux (IR LED on)	Color : 0.06Lux B/W : 0.006Lux
<b>Video Output</b>	CVBS 1.0Vpp DIP connector type	CVBS 1.0Vpp DIP connector type	CVBS 1.0Vpp DIP connector type	CVBS 1.0Vpp	CVBS 1.0Vpp DIP connector type	CVBS 1.0Vpp DIP connector type
<b>Lens</b>	2.8 ~ 10mm (3.6x) V/F (F1.2)	3 ~ 8.5mm (2.8x) Motorized V/F (F1.2)	3 ~ 8.5mm (2.8x) Motorized V/F (F1.2)	3.8mm fixed (F2.0)	3 ~ 8.5mm (2.8x) Motorized V/F (F1.2)	3 ~ 8.5mm (2.8x) Motorized V/F (F1.2)
<b>Angular Field of View</b>	H : 94.6° (Wide) ~ 28.8° (Tele) / V : 68.4° (Wide) ~ 21.6° (Tele)	H : 100.12° (Wide) ~ 35.38° (Tele) / V : 73.76° (Wide) ~ 26.58° (Tele)	H : 105.5° (Wide) ~ 37.1° (Tele) / V : 57.5° (Wide) ~ 21.0° (Tele)	H : 84.5° / V : 45.8° / D : 98.8°	H : 93.4° (Wide) ~ 33.1° (Tele) / V : 73.8° (Wide) ~ 26.5° (Tele)	H : 100.12° (Wide) ~ 35.38° (Tele) / V : 73.76° (Wide) ~ 26.58° (Tele)
<b>Focus Control</b>	Manual	Simple focus (Motorized V/F) / Manual	Simple focus (Motorized V/F) / Manual	Manual	Simple focus (Motorized V/F) / Manual	Simple focus (Motorized V/F) / Manual
<b>IR Viewable Length</b>	-	25m (82.02ft)	15m (49.21ft)	10m (32.81ft)	30m (98.43ft)	-
<b>Pan / Tilt / Rotate</b>	0° ~ 354° / 0° ~ 67° / 0° ~ 355°	0° ~ 354° / 0° ~ 67° / 0° ~ 355°	0° ~ 354° / 0° ~ 67° / 0° ~ 355°	0° ~ 354° / 0° ~ 67° / 0° ~ 355°	0° ~ 354° / 0° ~ 67° / 0° ~ 355°	0° ~ 354° / 0° ~ 67° / 0° ~ 355°
<b>Day &amp; Night</b>	True (ICR)	True (ICR)	True (ICR)	True (ICR)	True (ICR)	True (ICR)
<b>Backlight Compensation</b>	WDR (130dB)	WDR (120dB)	WDR (120dB)	WDR (120dB)	WDR (130dB)	WDR (120dB)
<b>Digital Noise Reduction</b>	SSNR III (2D+3D noise filter)	SSNR III (2D+3D noise filter)	SSNR III (2D+3D noise filter)	SSNR III (2D+3D noise filter)	SSNR III (2D+3D noise filter)	SSNR III (2D+3D noise filter)
<b>Digital Image Stabilization</b>	Support	Support	Support	Support	Support	Support
<b>Intelligent Video Analytics</b>	Tampering, Virtual line, Enter / Exit, (Dis)Appear, Audio detection, Face detection	Tampering, Virtual line, Enter / Exit, (Dis)Appear, Audio detection, Face detection	Tampering, Virtual line, Enter / Exit, (Dis)Appear, Audio detection, Face detection	Tampering, Virtual line, Enter / Exit, (Dis)Appear, Audio detection, Face detection	Tampering, Virtual line, Enter / Exit, (Dis)Appear, Audio detection, Face detection	Tampering, Virtual line, Enter / Exit, (Dis)Appear, Audio detection, Face detection
<b>Protocol</b>	ONVIF profile S, SVNP, SUNAPI, Open platform	ONVIF profile S, SVNP, SUNAPI, Open platform	ONVIF profile S, SVNP, SUNAPI, Open platform	ONVIF profile S, SVNP, SUNAPI, Open platform	ONVIF profile S, SVNP, SUNAPI	ONVIF profile S, SVNP, SUNAPI, Open platform
<b>Alarm I/O</b>	1/1	1/1	1/1	1/0	1/1	1/1
<b>Audio</b>	Bi-directional	Bi-directional	Bi-directional	-	Bi-directional	Bi-directional
<b>Edge Storage</b>	SD/SDHC/SDXC, NAS	micro SD/SDHC/SDXC, NAS	SD/SDHC/SDXC, NAS	micro SD/SDHC/SDXC	micro SD/SDHC/SDXC, NAS	micro SD/SDHC/SDXC, NAS
<b>Environment Protection</b>	-	-	-	-	-	IP66, IK10
<b>Operating Temperature</b>	-10°C ~ +55°C (+14°F ~ +131°F)	-10°C ~ +55°C (+14°F ~ +131°F)	-10°C ~ +55°C (+14°F ~ +131°F)	-10°C ~ +55°C (+14°F ~ +131°F)	-10°C ~ +55°C (+14°F ~ +131°F)	-40°C ~ +55°C (-40°F ~ +131°F) *Start up above -35°C (-31°F)
<b>Power</b>	DC 12V (Max. 9.0W) PoE (Max. 11.0W)	DC 12V (Max. 10.0W) PoE (Max. 11.0W)	DC 12V, PoE (Max. 9.0W)	PoE (Max. 8.0W)	DC 12V, PoE (Max. 10.5W)	AC 24V (Max. 11.0W, 13.0W - Heater on) DC 12V (Max. 9.0W, 11.5W - Heater on) PoE (Max. 10.0W, 12.5W - Heater on)
<b>Dimensions (WxHxD) / Weight</b>	Ø132.1 x 107.6mm (Ø5.2" x 4.24") 500g (1.1 lb)	Ø132.1 x 107.6mm (Ø5.2" x 4.24") 575g (1.27 lb)	Ø132.1 x 107.6mm (Ø5.2" x 4.24") 525g (1.16 lb)	Ø120.0 x 101.8mm (Ø4.72" x 4.01") 380g (0.84 lb)	Ø132.1 x 107.6mm (Ø5.2" x 4.24") 585g (1.29 lb)	Ø160.0 x 118.5mm (Ø6.3" x 4.67") 960g (2.12 lb)
<b>Additional Features</b>	Defog	P-Iris, Defog	P-Iris, Defog	Defog	P-Iris, Defog	P-Iris, Defog

# Product Comparison Chart

Vandal-Resistant / IR Vandal-Resistant



WiseNet III  
SNV-6084



WiseNet III  
SNV-6013



WiseNet III  
SNV-6012M



WiseNet III  
SNV-5084



WiseNet III  
SNV-7084R



WiseNet III  
SNV-6084R

	WiseNet III SNV-6084	WiseNet III SNV-6013	WiseNet III SNV-6012M	WiseNet III SNV-5084	WiseNet III SNV-7084R	WiseNet III SNV-6084R
Resolution	2MP	2MP	2MP	1.3MP	3MP	2MP
Imaging Device	1/2.8" 2.38M CMOS	1/2.8" 2.38M CMOS	1/2.8" 2.38M CMOS	1/3" 1.3M CMOS	1/2.8" 3.2M CMOS	1/2.8" 2.38M CMOS
Video Compression Format	H.264, MJPEG	H.264, MJPEG	H.264, MJPEG	H.264, MJPEG	H.264, MJPEG	H.264, MJPEG
Resolution / Max. Frame Rate	2M / 60fps	2M / 60fps	2M / 60fps	1.3M / 60fps	3M / 30fps	2M / 60fps
Streaming Capacity	Multiple (Up to 10 profiles)	Multiple (Up to 10 profiles)	Multiple (Up to 10 profiles)	Multiple (Up to 10 profiles)	Multiple (Up to 10 profiles)	Multiple (Up to 10 profiles)
Max. User Access	15 (Unicast)	15 (Unicast)	15 (Unicast)	15 (Unicast)	15 (Unicast)	15 (Unicast)
Min. Illumination (30 IRE)	Color : 0.03Lux B/W : 0.002Lux	Color : 0.15Lux B/W : 0.15Lux	Color : 0.15Lux B/W : 0.15Lux	Color : 0.008Lux B/W : 0.002Lux	Color : 0.06Lux B/W : 0Lux (IR LED on)	Color : 0.03Lux B/W : 0Lux (IR LED on)
Video Output	CVBS 1.0Vpp DIP connector type	CVBS 1.0Vpp DIP connector type	CVBS 1.0Vpp DIP connector type	CVBS 1.0Vpp DIP connector type	CVBS 1.0Vpp DIP connector type	CVBS 1.0Vpp DIP connector type
Lens	3 ~ 8.5mm (2.8x) Motorized V/F (F1.2)	2.8mm fixed (F1.8)	3mm fixed (F2.0)	3 ~ 8.5mm (2.8x) Motorized V/F (F1.2)	3 ~ 8.5mm (2.8x) Motorized V/F (F1.2)	3 ~ 8.5mm (2.8x) Motorized V/F (F1.2)
Angular Field of View	H : 105.5° (Wide) ~ 37.1° (Tele) / V : 57.5° (Wide) ~ 21.0° (Tele)	H 112° / V 62°	H 103.1° / V 53.9° / D 124.5°	H : 93.3° (Wide) ~ 33.2° (Tele) / V : 73.7° (Wide) ~ 26.6° (Tele)	H : 100.12° (Wide) ~ 35.38° (Tele) / V : 73.76° (Wide) ~ 26.58° (Tele)	H : 105.5° (Wide) ~ 37.1° (Tele) / V : 57.5° (Wide) ~ 21.0° (Tele)
Focus Control	Simple focus (Motorized V/F) / Manual	-	-	Simple focus (Motorized V/F) / Manual	Simple focus (Motorized V/F) / Manual	Simple focus (Motorized V/F) / Manual
IR Viewable Length	-	-	-	-	25m (82.02ft)	15m (49.21ft)
Pan / Tilt / Rotate	0° ~ 354° / 0° ~ 67° / 0° ~ 355°	-	-10° ~ 10° / 0° ~ 90° / -	0° ~ 354° / 0° ~ 67° / 0° ~ 355°	0° ~ 354° / 0° ~ 67° / 0° ~ 355°	0° ~ 354° / 0° ~ 67° / 0° ~ 355°
Day & Night	True (ICR)	Electrical	Electrical	True (ICR)	True (ICR)	True (ICR)
Backlight Compensation	WDR (120dB)	WDR (120dB)	WDR (120dB)	WDR (130dB)	WDR (120dB)	WDR (120dB)
Digital Noise Reduction	SSNR III (2D+3D noise filter)	SSNR III (2D+3D noise filter)	SSNR III (2D+3D noise filter)	SSNR III (2D+3D noise filter)	SSNR III (2D+3D noise filter)	SSNR III (2D+3D noise filter)
Digital Image Stabilization	Support	Support	Support	Support	Support	Support
Intelligent Video Analytics	Tampering, Virtual line, Enter / Exit, (Dis)Appear, Audio detection, Face detection	Tampering, Virtual line, Enter / Exit, (Dis)Appear, Face detection	Tampering, Virtual line, Enter / Exit, (Dis)Appear, Face detection	Tampering, Virtual line, Enter / Exit, (Dis)Appear, Audio detection, Face detection	Tampering, Virtual line, Enter / Exit, (Dis)Appear, Audio detection, Face detection	Tampering, Virtual line, Enter / Exit, (Dis)Appear, Audio detection, Face detection
Protocol	ONVIF profile S, SVNP, SUNAPI, Open platform	ONVIF profile S, SVNP, SUNAPI, Open platform	ONVIF profile S, SVNP, SUNAPI, Open platform	ONVIF profile S, SVNP, SUNAPI, Open platform	ONVIF profile S, SVNP, SUNAPI, Open platform	ONVIF profile S, SVNP, SUNAPI, Open platform
Alarm I/O	1 / 1	-	-	1 / 1	1 / 1	1 / 1
Audio	Bi-directional	-	-	Bi-directional	Bi-directional	Bi-directional
Edge Storage	SD/SDHC/SDXC, NAS	SD/SDHC/SDXC, NAS	SD/SDHC/SDXC, NAS	SD/SDHC/SDXC, NAS	micro SD/SDHC/SDXC, NAS	SD/SDHC/SDXC, NAS
Environment Protection	IP66, IK10	IP66, IK10	IP66, IK10 / EN50155, EN50121	IP66, IK10	IP66, IK10	IP66, IK10
Operating Temperature	-40°C ~ +55°C (-40°F ~ +131°F) *Start up above -35°C (-31°F)	-30°C ~ +55°C (-22°F ~ +131°F) *Start up above -10°C (+14°F)	-30°C ~ +55°C (-22°F ~ +131°F)	-40°C ~ +55°C (-40°F ~ +131°F) *Start up above -35°C (-31°F)	AC 24V : -40°C ~ +55°C (-40°F ~ +131°F) DC 12V, PoE : -20°C ~ +55°C (-4°F ~ +131°F) *Start up above -10°C (+14°F)	AC 24V : -40°C ~ +55°C (-40°F ~ +131°F) DC 12V, PoE : -20°C ~ +55°C (-4°F ~ +131°F) *Start up above -10°C (+14°F)
Power	DC 12V, AC 24V (Max. 14.0W - Heater on), PoE (Max. 12.95W - Heater on)	PoE (Max. 7.5W)	PoE (Max. 7.5W)	DC 12V, AC 24V (Max. 14.0W - Heater on), PoE (Max. 12.95W - Heater on)	AC 24V (Max. 12.0W, 15.0W - Heater on) DC 12V (Max. 10.5W), PoE (Max. 11.5W)	Max. 9.5W, AC 24V (Max. 13.5W - Heater on)
Dimensions (WxHxD) / Weight	Ø160.0 x 118.5mm (Ø6.3" x 4.67") 985g (2.17 lb)	Ø112.8 x 63.7mm (Ø4.44" x 2.51") 550g (1.21 lb)	135.2 x 54.3 x 124.5mm (5.32" x 2.14" x 4.9") 530g (1.17 lb)	Ø160.0 x 118.5mm (Ø6.3" x 4.67") 985g (2.17 lb)	Ø160.0 x 118.5mm (Ø6.3" x 4.67") 975g (2.15 lb)	Ø160.0 x 118.5mm (Ø6.3" x 4.67") 960g (2.12 lb)
Additional Features	P-Iris, Defog	Defog	Defog, M12 connector	P-Iris, Defog	P-Iris, Defog	P-Iris, Defog

## IR Vandal-Resistant / PTZ



**WiseNet III**  
**SNV-5084R**



**WiseNet III**  
**SNP-6321H**



**WiseNet III**  
**SNP-6321**



**WiseNet III**  
**SNP-5321H**



**WiseNet III**  
**SNP-5321**

	SNV-5084R	SNP-6321H	SNP-6321	SNP-5321H	SNP-5321
Resolution	1.3MP	2MP	2MP	1.3MP	1.3MP
Imaging Device	1/3" 1.37M CMOS	1/2.8" 2.38M CMOS	1/2.8" 2.38M CMOS	1/3" 1.3M CMOS	1/3" 1.3M CMOS
Video Compression Format	H.264, MJPEG	H.264, MJPEG	H.264, MJPEG	H.264, MJPEG	H.264, MJPEG
Resolution / Max. Frame Rate	1.3M / 60fps	2M / 60fps	2M / 60fps	1.3M / 60fps	1.3M / 60fps
Streaming Capacity	Multiple (Up to 10 profiles)	Multiple (Up to 10 profiles)	Multiple (Up to 10 profiles)	Multiple (Up to 10 profiles)	Multiple (Up to 10 profiles)
Max. User Access	15 (Unicast)	10 (Unicast)	10 (Unicast)	10 (Unicast)	10 (Unicast)
Min. Illumination (30 IRE)	Color : 0.005Lux B/W : 0Lux (IR LED on)	Color : 0.15Lux B/W : 0.015Lux	Color : 0.15Lux B/W : 0.015Lux	Color : 0.05Lux B/W : 0.005Lux	Color : 0.05Lux B/W : 0.005Lux
Video Output	CVBS 1.0Vpp DIP connector type	CVBS 1.0Vpp	CVBS 1.0Vpp	CVBS 1.0Vpp	CVBS 1.0Vpp
Lens	3 ~ 8.5mm (2.8x) Motorized V/F (F1.2)	4.44 ~ 142.6mm (Optical 32x) F1.6(Wide) / F4.4(Tele)	4.44 ~ 142.6mm (Optical 32x) F1.6(Wide) / F4.4(Tele)	4.44 ~ 142.6mm (Optical 32x) F1.6(Wide) / F4.4(Tele)	4.44 ~ 142.6mm (Optical 32x) F1.6(Wide) / F4.4(Tele)
Angular Field of View	H : 93.4° (Wide) ~ 33.1° (Tele) / V : 73.8° (Wide) ~ 26.5° (Tele)	H : 62.8° (Wide) ~ 2.23° (Tele) / V : 36.8° (Wide) ~ 1.26° (Tele)	H : 62.8° (Wide) ~ 2.23° (Tele) / V : 36.8° (Wide) ~ 1.26° (Tele)	H : 56.8° (Wide) ~ 1.99° (Tele) / V : 46.3° (Wide) ~ 1.6° (Tele)	H : 56.8° (Wide) ~ 1.99° (Tele) / V : 46.3° (Wide) ~ 1.6° (Tele)
Focus Control	Simple focus (Motorized V/F) / Manual	Auto / Manual / One push	Auto / Manual / One push	Auto / Manual / One push	Auto / Manual / One push
IR Viewable Length	30m (98.43ft)	-	-	-	-
Pan / Tilt / Rotate	0° ~ 354° / 0° ~ 67° / 0° ~ 355°	360° Endless / 210° (-15° ~ 195°) / -	360° Endless / 210° (-15° ~ 195°) / -	360° Endless / 210° (-15° ~ 195°) / -	360° Endless / 210° (-15° ~ 195°) / -
Day & Night	True (ICR)	True (ICR)	True (ICR)	True (ICR)	True (ICR)
Backlight Compensation	WDR (130dB)	WDR (120dB)	WDR (120dB)	WDR (120dB)	WDR (120dB)
Digital Noise Reduction	SSNR III (2D+3D noise filter)	SSNR III (2D+3D noise filter)	SSNR III (2D+3D noise filter)	SSNR III (2D+3D noise filter)	SSNR III (2D+3D noise filter)
Digital Image Stabilization	Support	Support	Support	Support	Support
Intelligent Video Analytics	Tampering, Virtual line, Enter / Exit, (Dis)Appear, Audio detection, Face detection	Tampering, Virtual line, Enter / Exit, (Dis)Appear, Audio detection, Face detection	Tampering, Virtual line, Enter / Exit, (Dis)Appear, Audio detection, Face detection	Tampering, Virtual line, Enter / Exit, (Dis)Appear, Audio detection, Face detection	Tampering, Virtual line, Enter / Exit, (Dis)Appear, Audio detection, Face detection
Protocol	ONVIF profile S, SVNP, SUNAPI	ONVIF profile S, SVNP, SUNAPI, Open platform	ONVIF profile S, SVNP, SUNAPI, Open platform	ONVIF profile S, SVNP, SUNAPI, Open platform	ONVIF profile S, SVNP, SUNAPI, Open platform
Alarm I/O	1 / 1	4 / 2 (Relay)	4 / 2 (Relay)	4 / 2 (Relay)	4 / 2 (Relay)
Audio	Bi-directional	Bi-directional	Bi-directional	Bi-directional	Bi-directional
Edge Storage	micro SD/SDHC/SDXC, NAS	SD/SDHC/SDXC, NAS	SD/SDHC/SDXC, NAS	SD/SDHC/SDXC, NAS	SD/SDHC/SDXC, NAS
Environment Protection	IP66, IK10	IP66, IK10	IK10 (With SHP-3701H)	IP66, IK10	IK10 (With SHP-3701H)
Operating Temperature	-40°C ~ +55°C (-40°F ~ +131°F) *Start up above -35°C (-31°F)	AC 24V : -50°C ~ +55°C (-58°F ~ +131°F) PoE+ : -30°C ~ +55°C (-22°F ~ +131°F)	-10°C ~ +55°C (+14°F ~ +131°F)	AC 24V : -50°C ~ +55°C (-58°F ~ +131°F) PoE+ : -30°C ~ +55°C (-22°F ~ +131°F)	-10°C ~ +55°C (+14°F ~ +131°F)
Power	AC 24V, DC 12V, PoE (Max. 11.0W, 12.95W - Heater on)	AC 24V (Max. 65.0W - AC & PoE heater on) PoE+ (Max. 25.0W - PoE heater on)	AC 24V, PoE+ (Max. 20.0W)	AC 24V (Max. 65.0W - AC & PoE heater on) PoE+ (Max. 25.0W - PoE heater on)	AC 24V, PoE+ (Max. 20.0W)
Dimensions (WxHxD) / Weight	Ø160.0 x 118.5mm (Ø6.3" x 4.67") 985g (2.17 lb)	Ø223.4 x 293.6mm (Ø8.8" x 11.56") 3.2Kg (7.05 lb)	Ø152.0 x 218.0mm (Ø5.98" x 8.58") 1.8Kg (3.97 lb)	Ø223.4 x 293.6mm (Ø8.8" x 11.56") 3.2Kg (7.05 lb)	Ø152.0 x 218.0mm (Ø5.98" x 8.58") 1.8Kg (3.97 lb)
Additional Features	P-Iris, Defog	RS-485, Defog	RS-485, Defog	RS-485, Defog	RS-485, Defog



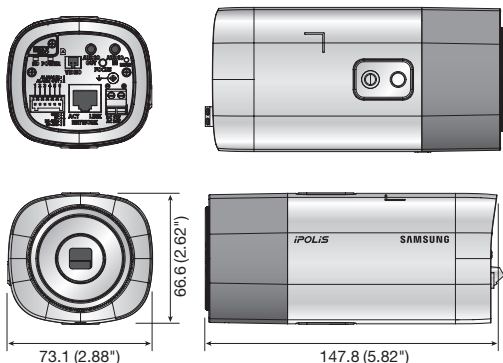
\* Lens not included

## Key Features

- Max. 3M (2048 x 1536) resolution
- 30fps@2048 x 1536 / 60fps@1920 x 1080
- Simple focus (Motorized V/F), P-Iris
- Day & Night (ICR), Enhanced DIS, Defog
- 3M real-time WDR (Max. 120dB)
- micro SD/SDHC/SDXC memory slot
- Bi-directional audio support, Built-in mic.

## Dimensions

Unit : mm (inch)



## Available Lenses / Accessories (Optional)



\* Data recorded on an SD memory card may be lost or damaged by data access during power-off, mechanical shock, memory card detachment, or other operations. Data loss or damage can also occur when a memory card reaches end of life, which varies according to operational conditions. No guarantee is given against damage (including passive damage).

SNB-7004N/P	
<b>VIDEO</b>	
Imaging Device	1/2.8" 3.2M CMOS
Total Pixels	2,065(H) x 1,565(V)
Effective Pixels	2,065(H) x 1,553(V)
Scanning System	Progressive
Min. Illumination	Color : 0.1Lux (F1.2, 50IRE), 0.06Lux (F1.2, 30IRE), 0.0017Lux (2sec, F1.2, 30IRE) B/W : 0.01Lux (F1.2, 50IRE), 0.006Lux (F1.2, 30IRE), 0.00017Lux (2sec, F1.2, 50IRE)
S / N Ratio	50dB
Video Output	CVBS : 1.0Vpp / 75Ω composite, 720 x 480(N), 720 x 576(P), for installation DIP connector type
<b>LENS</b>	
Focus Control	Simple focus (Motorized V/F) / Manual, Remote control via network (Manual, Simple focus, Day & Night)
Lens Type	Manual / DC auto iris, P-Iris
Mount Type	C / CS
<b>OPERATIONAL</b>	
Camera Title	Off / On (Displayed up to 45 characters)
Day & Night	Auto (ICR) / Color / B/W / External / Schedule
Backlight Compensation	Off / BLC / WDR
Wide Dynamic Range	120dB
Contrast Enhancement	SSDR (Samsung Super Dynamic Range) (Off / On)
Digital Noise Reduction	SSNRIII (2D+3D noise filter) (Off / On)
Digital Image Stabilization	Off / On
Defog	Off / Auto / Manual
Motion Detection	Off / On (4 zones with 4-sided polygon)
Privacy Masking	Off / On (32 zones with 4-sided polygon)
Gain Control	Off / Low / Middle / High
White Balance	ATW / AWC / Manual / Indoor / Outdoor
Electronic Shutter Speed	Minimum / Maximum / Anti flicker (1 ~ 1/12,000sec)
Flip / Mirror	Off / On
Intelligent Video Analytics	Tampering, Virtual line, Enter / Exit, (Dis)Appear, Audio detection, Face detection with metadata
Alarm I/O	Input 1ea / Output 1ea
Remote Control Interface	RS-485
RS-485 Protocol	Samsung-T/E, Pelco-P/D, Sunjini, Panasonic, Honeywell, AD, Vicon, GE, Bosch
Alarm Triggers	Motion detection, Tampering, Audio detection, Face detection, Network disconnection, Video analytics, Alarm input
Alarm Events	File upload via FTP and E-mail, Notification via E-mail, Local storage (SD/SDHC/SDXC) or NAS recording at Event, External output
<b>NETWORK</b>	
Ethernet	RJ-45 (10/100BASE-T)
Video Compression Format	H.264 (MPEG-4 part 10/AVC), MJPEG
Resolution	2048 x 1536, 1920 x 1080, 1600 x 1200, 1280 x 1024, 1280 x 960, 1280 x 720, 1024 x 768, 800 x 600, 800 x 450, 640 x 480, 640 x 360, 320 x 240, 320 x 180
Max. Framerate	H.264 : Max. 30fps@2048 x 1536, 1600 x 1200, Max 60fps@the other resolutions MJPEG : Max. 10fps@2048 x 1536 Max. 15fps@1920 x 1080, 1600 x 1200, 1280 x 1024, 1280 x 960, 1280 x 720, 1024 x 768 Max. 30fps@800 x 600, 800 x 450, 640 x 480, 640 x 360, 320 x 240, 320 x 180
Smart Codec	Manual mode (Area-based : 5ea), Face detection mode
Video Quality Adjustment	H.264 : Compression level, Target bitrate level control, MJPEG : Quality level control
Bitrate Control Method	H.264 : CBR or VBR, MJPEG : VBR
Streaming Capability	Multiple streaming (Up to 10 profiles)
Audio In	Selectable (Mic in / Line in / Built-in mic), Supply voltage : 2.5V DC (4mA), Input impedance : approx. 2K Ohm
Audio Out	Line out (3.5mm mono jack), Max output level : 1 Vrms
Audio Compression Format	G.711 u-law/G.726 selectable, G.726 (ADPCM) 8KHz, G.711 8KHz G.726 : 16Kbps, 24Kbps, 32Kbps, 40Kbps
Audio Communication	Bi-directional audio
IP	IPv4, IPv6
Protocol	TCP/IP, UDP/IP, RTP(UDP), RTP(TCP), RTCP, RTSP, NTP, HTTP, HTTPS, SSL, DHCP, PPPoE, FTP, SMTP, IGMP, IGMPv1/v2c/v3(MIB-2), ARP, DNS, DDNS, QoS, PIM-SM, UPnP, Bonjour
Security	HTTPS/SSL login authentication, Digest login authentication IP address filtering, User access log, 802.1x authentication
Streaming Method	Unicast / Multicast
Max. User Access	15 users at unicast mode
Edge Storage	micro SD/SDHC/SDXC Motion images recorded in the SDXC/SDHC/SD memory card can be downloaded NAS (Network Attached Storage)
Application Programming Interface	ONVIF profile S, SUNAPI (HTTP API) 2.0, SVNP 1.2
Webpage Language	English, French, German, Spanish, Italian, Chinese, Korean, Russian, Japanese, Swedish, Danish, Portuguese, Turkish, Polish, Czech, Rumanian, Serbian, Dutch, Croatian, Hungarian, Greek, Norwegian, Finnish
Web Viewer	Supported OS : Windows XP / VISTA / 7 / 8 / 8.1, MAC OS X 10.7 Supported Browser : Microsoft Internet Explorer (Ver. 11 ~ 8) Mozilla Firefox (Ver. 19 ~ 9) * Windows only Google Chrome (Ver. 25 ~ 15) * Windows only Apple Safari (Ver. 6.0.2(Mac OS X 10.8, 10.7 only), 5.1.7) * Mac OS X only
Central Management Software	SmartViewer, SSM
<b>ENVIRONMENTAL</b>	
Operating Temperature / Humidity	-10°C ~ +55°C (+14°F ~ +131°F) / Less than 90% RH
Storage Temperature / Humidity	-30°C ~ +60°C (-22°F ~ +140°F) / Less than 90% RH
<b>ELECTRICAL</b>	
Input Voltage / Current	24V AC, 12V DC, PoE (IEEE802.3af, Class3)
Power Consumption	Max. 1.1W (12V DC), Max. 12.6W (PoE), Max. 13.1W (24V AC, 50 ~ 60Hz)
<b>MECHANICAL</b>	
Color / Material	Black, Ivory / Aluminium, Plastic
Dimensions (WxHxD)	73.1 x 66.6 x 147.8mm (2.88" x 2.62" x 5.82")
Weight	430g (0.95 lb)

\* The latest product information / specification can be found at [www.samsungsecurity.com](http://www.samsungsecurity.com)



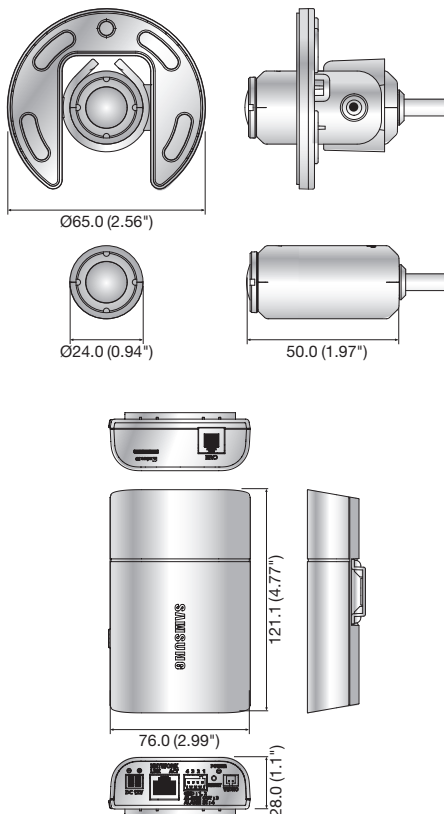


## Key Features

- Max. 2M (1920 x 1080) resolution
- H.264, MJPEG dual codec, Multiple streaming
- WDR (120dB), Defog
- Motion detection, Tampering, Virtual line, Enter / Exit, (Dis)Appear
- SD/SDHC/SDXC memory slot
- Multi-crop streaming
- Extremely discreet design

## Dimensions

Unit : mm (inch)



## SNB-6011

<b>VIDEO</b>	
Imaging Device	1/2.8" 2.38M CMOS
Total Pixels	1,952(H) x 1,116(V)
Effective Pixels	1,944(H) x 1,104(V)
Scanning System	Progressive
Min. Illumination	Color : 0.3Lux (1/30sec, F2.0, 50IRE)
Video Output	CVBS : 1.0 Vpp / 75Ω composite, 720 x 480(N), 720 x 576(P), for installation DIP connector type
<b>LENS</b>	
Focal length	2.4mm fixed
Max. Aperture ratio	F2.0
Angular Field of View	H : 134.3° / V : 70.9°
Min. Object Distance	0.3m (0.98ft)
Mount Type	RJ-12 connected with main unit
<b>OPERATIONAL</b>	
Camera Title	Off / On (Displayed up to 45 characters)
Day & Night	Auto (Electrical) / Color / B/W / Schedule
Backlight Compensation	Off / BLC / WDR
Wide Dynamic Range	120dB
Contrast Enhancement	SSDR (Samsung Super Dynamic Range) (Off / On)
Digital Noise Reduction	SSNRIII (2D+3D noise filter) (Off / On)
Digital Image Stabilization	Off / On
Defog	Off / Auto / Manual
Motion Detection	Off / On (4ea 4 points polygonal zones)
Privacy Masking	Off / On (32 zones with 4 points of polygonal)
Gain Control	Off / Low / Middle / High
White Balance	ATW / AWC / Manual / Indoor / Outdoor
Electronic Shutter Speed	Minimum / Maximum / Anti flicker (2 ~ 1/12,000sec)
Flip / Mirror	Off / On
Intelligent Video Analytics	Tampering, Virtual line, Enter / Exit, (Dis)Appear
Alarm I/O	Input 1ea / Output 1ea
Alarm Triggers	Motion detection, Tampering detection, Alarm input, Video analytics, Network disconnection
Alarm Events	File upload via FTP and E-mail, Notification via E-mail, Local storage (SD/SDHC/SDXC) or NAS recording at Event (Alarm triggers), External output
<b>NETWORK</b>	
Ethernet	RJ-45 (10/100BASE-T)
Video Compression Format	H.264 (MPEG-4 part 10/AVC), MJPEG
Resolution	1920 x 1080, 1280 x 1024, 1280 x 960, 1280 x 720, 1024 x 768, 800 x 600, 800 x 450, 640 x 480, 640 x 360, 320 x 240, 320 x 180
Max. Framerate	H.264 : Max. 30fps at all resolutions MJPEG : 1920 x 1080, 1280 x 1024, 1280 x 960, 1280 x 720, 1024 x 768 : Max. 15fps 800 x 600, 800 x 450, 640 x 480, 640 x 360, 320 x 240, 320 x 180 : Max. 30fps
Video Quality Adjustment	H.264 : Compression level, Target bitrate level control, MJPEG : Quality level control
Bitrate Control Method	H.264 : CBR or VBR, MJPEG : VBR
Streaming Capability	Multiple streaming (Up to 10 profiles)
IP	IPv4, IPv6
Protocol	TTC/IP, UDP/IP, RTP (UDP), RTP (TCP), RTCP, RTSP, NTP, HTTP, HTTPS, SSL, DHCP, PPPoE, FTP, SMTP, ICMP, IGMP, SNMPv1/v2c/v3 (MIB-2), ARP, DNS, DDNS, QoS, PIM-SM, UPnP, Bonjour
Security	HTTPS (SSL) login authentication, Digest login authentication IP address filtering, User access log, 802.1x authentication
Streaming Method	Unicast / Multicast
Max. User Access	15 users at unicast mode
Edge Storage	SD/SDHC/SDXC - motion Images recorded in the SD/SDHC/SDXC memory card can be downloaded. NAS (Network Attached Storage)
Application Programming Interface	ONVIF profile S, HTTP API (SUNAPI) 2.0, S/NP 1.2
Webpage Language	English, French, German, Spanish, Italian, Chinese, Korean, Russian, Japanese, Swedish, Danish, Portuguese, Turkish, Polish, Czech, Rumanian, Serbian, Dutch, Croatian, Hungarian, Greek, Finnish, Norwegian
Web Viewer	Supported OS : Windows XP / VISTA / 7 / 8 / 8.1, MAC OS X 10.7 Supported Browser : Microsoft Internet Explorer (Ver. 11 ~ 8) Mozilla Firefox (Ver. 19 ~ 9) * Windows only Google Chrome (Ver. 25 ~ 15) * Windows only Apple Safari (Ver. 6.0.2 (Mac OS X 10.8, 10.7 only), 5.1.7) * Mac OS X only
Central Management Software	Smart Viewer, SSM
<b>ENVIRONMENTAL</b>	
Operating Temperature / Humidity	-10°C ~ +55°C (+14°F ~ +131°F) / Less than 90% RH
Storage Temperature / Humidity	-30°C ~ +60°C (-22°F ~ +140°F) / Less than 90% RH
<b>ELECTRICAL</b>	
Input Voltage / Current	12V DC, PoE (IEEE802.3af)
Power Consumption	12V DC : Max. 6.5W, PoE : Max. 7.5W
<b>MECHANICAL</b>	
Color / Material	Camera unit : Black / Plastic, Main unit : Ivory / Plastic
Dimensions (WxHxD)	Camera header : Ø24.0 x 50.0mm (Ø0.94" x 1.97"), Main unit : 76.0 x 121.1 x 28.0 (2.99" x 4.77" x 1.1")
Weight	Camera header (include cable) : 315g (0.69 lb), Main unit : 290g (0.64 lb)

\* Data recorded on an SD memory card may be lost or damaged by data access during power-off, mechanical shock, memory card detachment, or other operations. Data loss or damage can also occur when a memory card reaches end of life, which varies according to operational conditions. No guarantee is given against damage (including passive damage).

\* The latest product information / specification can be found at [www.samsungsecurity.com](http://www.samsungsecurity.com)

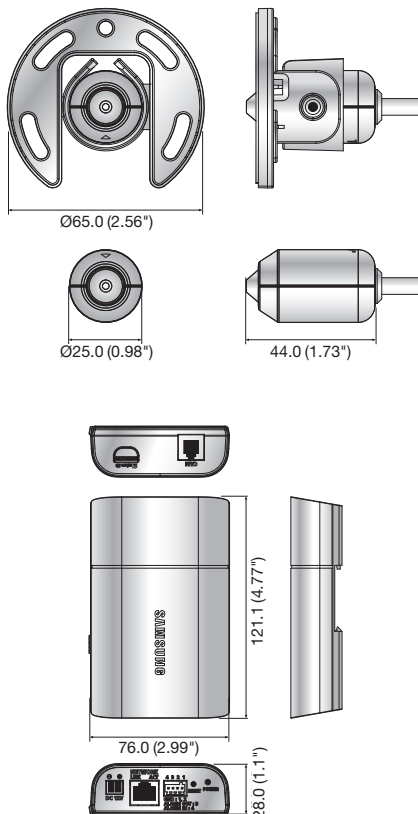


## Key Features

- Max. 2M (1920 x 1080) resolution
- H.264, MJPEG dual codec, Multiple streaming
- WDR (120dB), Defog
- Advanced motion detection, VA
- micro SD/SDHC/SDXC memory slot
- Multi-crop streaming
- Extremely discreet design

## Dimensions

Unit : mm (inch)



## SNB-6010

<b>VIDEO</b>	
Imaging Device	1/2.8" 2.38M CMOS
Total Pixels	1,952(H) x 1,116(V)
Effective Pixels	1,944(H) x 1,104(V)
Scanning System	Progressive
Min. Illumination	Color : 0.5Lux (1/30sec, F2.5, 50IRE)
<b>LENS</b>	
Focal length	4.6mm pinhole
Max. Aperture ratio	F2.5
Angular Field of View	H : 71° / V : 38°
Min. Object Distance	0.3m
Mount Type	RJ-12 connected with main unit
<b>OPERATIONAL</b>	
Camera Title	Off / On (Displayed up to 45 characters)
Day & Night	Auto (Electrical) / Color / B/W / Schedule
Backlight Compensation	Off / BLC / WDR
Wide Dynamic Range	120dB
Contrast Enhancement	SSDR (Samsung Super Dynamic Range) (Off / On)
Digital Noise Reduction	SSNR III (2D+3D noise filter) (Off / On)
Digital Image Stabilization	Off / On
Defog	Off / Auto / Manual
Motion Detection	Off / On (4ea 4 points polygonal zone)
Privacy Masking	Off / On (32 zones with 4 points of polygonal)
Gain Control	Off / Low / Middle / High
White Balance	ATW / AWC / Manual / Indoor / Outdoor
Electronic Shutter Speed	Minimum / Maximum / Anti flicker (1.2 ~ 1/10,000sec)
Flip / Mirror	Off / On
Intelligent Video Analytics	Tampering, Virtual line, Enter / Exit, (Dis)Appear
Alarm I/O	Input 1ea / Output 1ea
Alarm Triggers	Motion detection, Alarm input, Video analytics, Network disconnection
Alarm Events	File upload via FTP and E-mail, Notification via E-mail, Local storage (SD/SDHC/SDXC) or NAS recording at Event (Alarm triggers), External output
<b>NETWORK</b>	
Ethernet	RJ-45 (10/100BASE-T)
Video Compression Format	H.264 (MPEG-4 part 10/AVC), MJPEG
Resolution	1920 x 1080, 1280 x 1024, 1280 x 960, 1280 x 720, 1024 x 768, 800 x 600, 800 x 450, 640 x 480, 640 x 360, 320 x 240, 320 x 180
Max. Framerate	H.264 : Max. 30fps at all resolutions MJPEG : 1920 x 1080, 1280 x 1024, 1280 x 960, 1280 x 720, 1024 x 768 : Max. 15fps 800 x 600, 800 x 450, 640 x 480, 640 x 360, 320 x 240, 320 x 180 : Max. 30fps
Video Quality Adjustment	H.264 : Compression level, Target bitrate level control, MJPEG : Quality level control
Bitrate Control Method	H.264 : CBR or VBR, MJPEG : VBR
Streaming Capability	Multiple streaming (Up to 10 profiles)
IP	IPv4, IPv6
Protocol	TTCp/IP, UDP/IP, RTP (UDP), RTP (TCP), RTCP, RTSP, NTP, HTTP, HTTPS, SSL, DHCP, PPPoE, FTP, SMTP, ICMP, IGMP, SNMPv1/v2c/v3 (MIB-2), ARP, DNS, DDNS, QoS, PIM-SM, UPnP, Bonjour
Security	HTTPS (SSL) login authentication, Digest login authentication IP address filtering, User access log, 802.1x authentication
Streaming Method	Unicast / Multicast
Max. User Access	15 users at unicast mode
Edge Storage	micro SD/SDHC/SDXC Motion Images recorded in the SDXC/SDHC/SD memory card can be downloaded.
Application Programming Interface	ONVIF profile S, HTTP API (SUNAPI) 2.0, S/NVP 1.2
Webpage Language	English, French, German, Spanish, Italian, Chinese, Korean, Russian, Japanese, Swedish, Danish, Portuguese, Turkish, Polish, Czech, Rumanian, Serbian, Dutch, Croatian, Hungarian, Greek, Finnish, Norwegian
Web Viewer	Supported OS : Windows XP / VISTA / 7 / 8 / 8.1, MAC OS X 10.7 Supported Browser : Microsoft Internet Explorer (Ver. 11 ~ 8) Mozilla Firefox (Ver. 19 ~ 9) * Windows only Google Chrome (Ver. 25 ~ 15) * Windows only Apple Safari (Ver. 6.0.2 (Mac OS X 10.8, 10.7 only), 5.1.7) * Mac OS X only
Central Management Software	Smart Viewer, SSM
<b>ENVIRONMENTAL</b>	
Operating Temperature / Humidity	-10°C ~ +55°C (+14°F ~ +131°F) / Less than 90% RH
Storage Temperature / Humidity	-30°C ~ +60°C (-22°F ~ +140°F) / Less than 90% RH
<b>ELECTRICAL</b>	
Input Voltage / Current	PoE (IEEE802.3af), 12V DC
Power Consumption	PoE : Max. 7.5W, 12V DC : Max. 6.5W
<b>MECHANICAL</b>	
Color / Material	Head : Black / Plastic, Body : Ivory / Plastic
Dimensions (WxHxD)	Head : $\varnothing 25.0$ x 44.0mm ( $\varnothing 0.98"$ x 1.73"), Body : 76.0 x 121.1 x 28.0mm (2.99" x 4.77" x 1.1")
Weight	Head : 20g (0.04 lb), Unit : 285g (0.63 lb)

\* Data recorded on an SD memory card may be lost or damaged by data access during power-off, mechanical shock, memory card detachment, or other operations. Data loss or damage can also occur when a memory card reaches end of life, which varies according to operational conditions. No guarantee is given against damage (including passive damage).

\* The latest product information / specification can be found at [www.samsungsecurity.com](http://www.samsungsecurity.com)

# WiseNet III SNB-6005

2Megapixel Full HD Network Camera



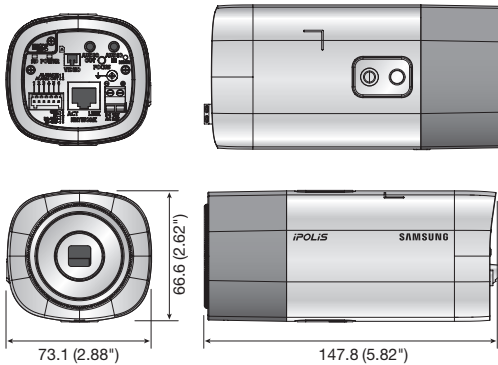
\* Lens not included

## Key Features

- Max. 2M (1920 x 1080) resolution
- 0.015Lux@F1.2 (Color), 0.0015Lux@F1.2 (B/W)
- 1/1.9" 2.42M CMOS
- H.264, MJPEG dual codec, Multiple streaming
- WDR (120dB), Simple focus, P-Iris, Defog
- Audio / Face / Motion detection
- SD/SDHC/SDXC memory slot, Multi-crop streaming
- PoE, UPnP, Bi-directional audio support

## Dimensions

Unit : mm (inch)



## Available Lenses / Accessories (Optional)



SNB-6005N/P	
<b>VIDEO</b>	
Imaging Device	1/1.9" 2.42M CMOS
Total Pixels	1,952(H) x 1,241(V) approx 2.42M pixels
Effective Pixels	1,937(H) x 1,097(V) approx 2.12M pixels
Scanning System	Progressive
Min. Illumination	Color : 0.03Lux (1/30sec, F1.2, 50IRE), 0.015Lux (1/30sec, F1.2, 30IRE) B/W : 0.003Lux (1/30sec, F1.2, 50IRE), 0.0015Lux (1/30sec, F1.2, 30IRE)
S / N Ratio	50dB
Video Output	CVBS : 1.0Vpp / 75Ω composite, 720 x 480(N), 720 x 576(P), for installation DIP connector type
<b>LENS</b>	
Focus Control	Simple focus (Motorized V/F) / Manual, Remote control via network, Button control (Manual, Simple focus)
Lens Type	Manual / DC auto iris, P-Iris
Mount Type	C / CS
<b>OPERATIONAL</b>	
Camera Title	Off / On (Displayed up to 45 characters)
Day & Night	Auto (ICR) / Color / B/W / External / Schedule
Backlight Compensation	Off / BLC / WDR
Wide Dynamic Range	120dB
Contrast Enhancement	SSDR (Samsung Super Dynamic Range) (Off / On)
Digital Noise Reduction	SSNR III (2D+3D noise filter) (Off / On)
Digital Image Stabilization	Off / On
Defog	Off / Auto / Manual
Motion Detection	Off / On (4 zones with 4 points polygonal)
Privacy Masking	Off / On (32 zones with 4 points of polygonal)
Gain Control	Off / Low / Medium / High / Manual
White Balance	ATW / AWC / Manual / Indoor / Outdoor
Electronic Shutter Speed	Minimum / Maximum / Anti flicker (2 ~ 1/12,000sec)
Flip / Mirror	Off / On
Intelligent Video Analytics	Tampering, Virtual line, Enter / Exit, (Dis)Appear, Audio detection, Face detection - Support Metadata
Alarm I/O	Input 1ea / Output 1ea
Remote Control Interface	RS-485
RS-485 Protocol	Samsung-T/E, Pelco-P/D, Sungjin, Panasonic, Honeywell, AD, Vicon, GE, Bosch
Alarm Triggers	Motion detection, Tampering detection, Audio detection, Face detection, Network disconnection, Video analytics, Alarm input
Alarm Events	File upload via FTP and E-mail, Notification via E-mail, Local storage (SD/SDHC/SDXC) or NAS recording at event triggers, External output
<b>NETWORK</b>	
Ethernet	RJ-45 (10/100BASE-T)
Video Compression Format	H.264 (MPEG-4 part 10/AVC) : Main / Baseline / High , MJPEG
Resolution	1920 x 1080, 1280 x 1024, 1280 x 960, 1280 x 720, 1024 x 768, 800 x 600, 720 x 576, 800 x 450, 640 x 480, 640 x 360, 320 x 240, 320 x 180
Max. Framerate	H.264 : Max. 60fps@the other resolutions MJPEG : Max. 15fps@1920 x 1080, 1280 x 1024, 1280 x 960, 1280 x 720, 1024 x 768 Max. 30fps@800 x 600, 800 x 450, 640 x 480, 640 x 360, 320 x 240, 320 x 180
Smart Codec	Manual mode (Area-based : 5ea), Face detection mode
Video Quality Adjustment	H.264 : Compression level, Target bitrate level control, MJPEG : Quality level control
Bitrate Control Method	H.264 : CBR or VBR, MJPEG : VBR
Streaming Capability	Multiple streaming (Up to 10 profiles)
Audio In	Selectable (Mic in / Line in), Supply voltage : 2.5V DC (4mA), Input impedance : approx. 2K Ohm
Audio Out	Line out (3.5mm stereo mini jack), Max output level : 1 Vrms
Audio Compression Format	G.711 u-law/G.726 selectable, G.726 (ADPCM) 8KHz, G.711 8KHz G.726 : 16Kbps, 24Kbps, 32Kbps, 40Kbps
Audio Communication	Bi-directional audio (2-way)
IP	IPv4, IPv6
Protocol	TCP/IP, UDP/IP, RTP(UDP), RTP(TCP), RTCP,RTSP, NTP, HTTP, HTTPS, SSL, DHCP, PPPoE, FTP, SMTP, ICMP, IGMP, SNMPv1/v2c/v3(MIB-2), ARP, DNS, DDNS, QoS, PIM-SM, UPnP, Bonjour
Security	HTTPS(SSL) login authentication, Digest login authentication, IP address filtering, User access log, 802.1x authentication
Streaming Method	Unicast / Multicast
Max. User Access	15 users at unicast mode
Edge Storage	SD/SDHC/SDXC - Motion Images recorded in the SD/SDHC/SDXC memory card can be downloaded. NAS (Network Attached Storage)
Application Programming Interface	ONVIF profile S, SUNAPI (HTTP API), SVNP, Samsung camera application platform English, French, German, Spanish, Italian, Chinese, Korean, Russian, Japanese, Swedish, Danish, Portuguese, Turkish, Polish, Czech, Rumanian, Serbian, Dutch, Croatian, Hungarian, Greek
Webpage Language	Supported OS : Windows XP / VISTA / 7 / 8 / 8.1 or higher, MAC OS X 10.7
Web Viewer	Supported Browser : Microsoft Internet Explorer (Ver. 8 ~ 11) Mozilla Firefox (Ver. 9 ~ 19), Google Chrome (Ver. 15 ~ 25) Apple Safari (Ver. 6.0.2(Mac OS X 10.8, 10.7 only), 5.1.7) * Mac OS X only
Central Management Software	SmartViewer, SSM
<b>ENVIRONMENTAL</b>	
Operating Temperature / Humidity	-30°C ~ +55°C (-22°F ~ +131°F) / Less than 90% RH * Start up should be done at above -10°C (+14°F)
Storage Temperature / Humidity	-30°C ~ +60°C (-22°F ~ +140°F) / Less than 90% RH
<b>ELECTRICAL</b>	
Input Voltage / Current	24V AC, 12V DC, PoE (IEEE802.3af, Class3)
Power Consumption	Max. 11.44W (24V AC, 50/60Hz), Max. 10.1W (12V DC), Max. 11.1W (PoE, Class3)
<b>MECHANICAL</b>	
Color / Material	Black, Ivory / Aluminium, Plastic
Dimensions (WxHxD)	73.1 x 66.6 x 147.8mm (2.88" x 2.62" x 5.82")
Weight	430g (0.95 lb)

\* Data recorded on an SD memory card may be lost or damaged by data access during power-off, mechanical shock, memory card detachment, or other operations. Data loss or damage can also occur when a memory card reaches end of life, which varies according to operational conditions. No guarantee is given against damage (including passive damage).

\* The latest product information / specification can be found at [www.samsungsecurity.com](http://www.samsungsecurity.com)

# SNB-6004

2Megapixel Full HD Network Camera



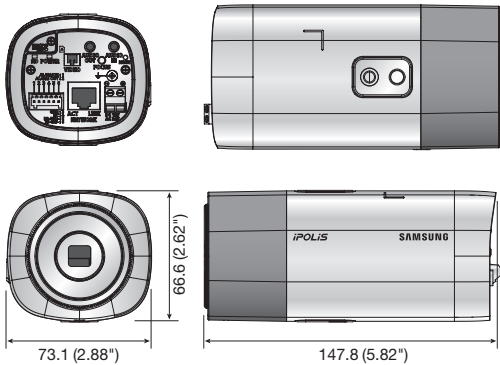
\* Lens not included

## Key Features

- Max. 2M (1920 x 1080) resolution
- 0.03Lux@F1.2 (Color), 0.002Lux@F1.2 (B/W)
- H.264, MJPEG dual codec, Multiple streaming
- WDR (120dB), Simple focus, P-Iris, Defog
- Audio / Face / Motion detection
- SD/SDHC/SDXC memory slot, Multi-crop streaming
- PoE, UPnP, Bi-directional audio support

## Dimensions

Unit : mm (inch)



## Available Lenses / Accessories (Optional)



SNB-6004N/P	
<b>VIDEO</b>	
Imaging Device	1/2.8" 2.38M CMOS
Total Pixels	1,952(H) x 1,116(V)
Effective Pixels	1,944(H) x 1,104(V)
Scanning System	Progressive
Min. Illumination	Color : 0.1Lux (F1.2, 50IRE), 0.001Lux (2sec, 50IRE), 0.03Lux (F1.2, 30IRE) B/W : 0.01Lux (F1.2, 50IRE), 0.002Lux (F1.2, 30IRE)
S / N Ratio	50dB
Video Output	CVBS : 1.0Vpp / 75Ω composite, 720 x 480(N), 720 x 576(P), for installation DIP connector type
<b>LENS</b>	
Focus Control	Simple focus / Manual, Remote control via network, Button control (Manual, Simple focus, Day & Night)
Lens Type	Manual / DC auto iris, P-Iris
Mount Type	C / CS
<b>OPERATIONAL</b>	
Camera Title	Off / On (Displayed up to 45 characters)
Day & Night	Auto (ICR) / Color / B/W / External / Schedule
Backlight Compensation	Off / BLC
Wide Dynamic Range	120dB
Contrast Enhancement	SSDR (Samsung Super Dynamic Range) (Off / On)
Digital Noise Reduction	SSNRIII (2D+3D noise filter) (Off / On)
Digital Image Stabilization	Off / On
Defog	Off / Auto / Manual
Motion Detection	Off / On (4ea 4 points polygonal zones)
Privacy Masking	Off / On (32 zones with 4 points of polygonal)
Gain Control	Off / Low / Middle / High
White Balance	ATW / AWC / Manual / Indoor / Outdoor
Electronic Shutter Speed	Minimum / Maximum / Anti flicker (2 ~ 1/12,000sec)
Flip / Mirror	Off / On
Intelligent Video Analytics	Tampering, Virtual line, Enter / Exit, (Dis)Appear, Audio detection, Face detection
Alarm I/O	Input 1ea / Output 1ea
Remote Control Interface	RS-485
RS-485 Protocol	Samsung-T/E, Pelco-P/D, Sungjin, Panasonic, Honeywell, AD, Vicon, GE, Bosch
Alarm Triggers	Motion detection, Tampering, Audio detection, Face detecton, Video analytics, Alarm input, Network disconnection
Alarm Events	File upload via FTP and E-mail, Notification via E-mail, Local storage (SD/SDHC/SDXC) or NAS recording at Event (Alarm triggers), External output
<b>NETWORK</b>	
Ethernet	RJ-45 (10/100BASE-T)
Video Compression Format	H.264 (MPEG-4 part 10/AVC), MJPEG
Resolution	1920 x 1080, 1280 x 1024, 1280 x 960, 1280 x 720, 1024 x 768, 800 x 600, 800 x 450, 640 x 480, 640 x 360, 320 x 240, 320 x 180
Max. Framerate	H.264 : Max. 60fps at all resolutions MJPEG : 1920 x 1080, 1280 x 1024, 1280 x 960, 1280 x 720, 1024 x 768 : Max. 15fps 800 x 600, 800 x 450, 640 x 480, 640 x 360, 320 x 240, 320 x 180 : Max. 30fps
Video Quality Adjustment	H.264 : Compression level, Target bitrate level control, MJPEG : Quality level control
Bitrate Control Method	H.264 : CBR or VBR, MJPEG : VBR
Streaming Capability	Multiple streaming (Up to 10 profiles)
Audio In	Selectable (Mic in / Line in), Built-in mic. Max output level : 1 Vrms Supply voltage : 2.5V DC (4mA), Input impedance : approx. 2K Ohm
Audio Out	Line out (3.5mm stereo mini jack)
Audio Compression Format	G.711 u-law/G.726 selectable, G.726 (ADPCM) 8KHz, G.711 8KHz G.726 : 16Kbps, 24Kbps, 32Kbps, 40Kbps
Audio Communication	Bi-directional audio
IP	IPv4, IPv6
Protocol	TCP/IP, UDP/IP, RTP(UDP), RTP(TCP), RTCP, RTSP, NTP, HTTP, HTTPS, SSL, DHCP, PPPoE, FTP, SMTP, ICMP, IGMP, SNMPv1/v2c/v3(MIB-2), ARP, DNS, DDNS, QoS, PIM-SM, UPnP, Bonjour
Security	HTTPS(SSL) login authentication, Digest login authentication IP address filtering, User access log, 802.1x authentication
Streaming Method	Unicast / Multicast
Max. User Access	15 users at unicast mode
Edge Storage	SD/SDHC/SDXC - motion Images recorded in the SD/SDHC/SDXC memory card can be downloaded. NAS (Network Attached Storage)
Application Programming Interface	ONVIF profile S & G, HTTP API (SUNAPI) 2.0, S/NVP 1.2
Webpage Language	English, French, German, Spanish, Italian, Chinese, Korean, Russian, Japanese, Swedish, Danish, Portuguese, Turkish, Polish, Czech, Rumanian, Serbian, Dutch, Croatian, Hungarian, Greek, Norwegian, Finnish
Web Viewer	Supported OS : Windows XP / VISTA / 7 / 8 / 8.1, MAC OS X 10.7 Supported Browser : Microsoft Internet Explorer (Ver. 11 ~ 8) Mozilla Firefox (Ver. 19 ~ 9) * Windows only Google Chrome (Ver. 25 ~ 15) * Windows only Apple Safari (Ver. 6.0.2(Mac OS X 10.8, 10.7 only), 5.1.7) * Mac OS X only
Central Management Software	SmartViewer, SSM
<b>ENVIRONMENTAL</b>	
Operating Temperature / Humidity	-10°C ~ +55°C (+14°F ~ +131°F) / Less than 90% RH
Storage Temperature / Humidity	-30°C ~ +60°C (-22°F ~ +140°F) / Less than 90% RH
<b>ELECTRICAL</b>	
Input Voltage / Current	24V AC ±10%, 12V DC ±10%, PoE (IEEE802.3af, Class3)
Power Consumption	Max. 11.44W (24V AC, 50 ~ 60Hz), Max. 10.1W (12V DC), Max. 11.1W (PoE, Class3)
<b>MECHANICAL</b>	
Color / Material	Black, Ivory / Aluminium, Plastic
Dimensions (WxHxD)	73.1 x 66.6 x 147.8mm (2.88" x 2.62" x 5.82")
Weight	395g (0.87 lb)

\* Data recorded on an SD memory card may be lost or damaged by data access during power-off, mechanical shock, memory card detachment, or other operations. Data loss or damage can also occur when a memory card reaches end of life, which varies according to operational conditions. No guarantee is given against damage (including passive damage).

\* The latest product information / specification can be found at [www.samsungsecurity.com](http://www.samsungsecurity.com)

# WiseNet III SNB-6003

2Megapixel Full HD Network Camera



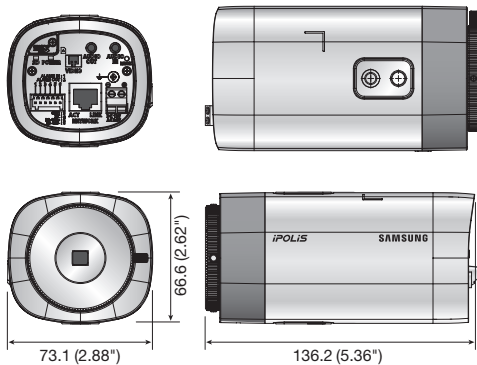
\* Lens not included

## Key Features

- Max. 2M (1920 x 1080) resolution
- 0.03Lux@F1.2 (Color), 0.03Lux@F1.2 (B/W)
- H.264, MJPEG dual codec, Multiple streaming
- WDR (120dB), P-Iris, Defog
- Audio / Face / Motion detection
- SD/SDHC/SDXC memory slot, Multi-crop streaming
- PoE, UPnP, Bi-directional audio support

## Dimensions

Unit : mm (inch)



## Available Lenses / Accessories (Optional)



SNB-6003N/P	
<b>VIDEO</b>	
Imaging Device	1/2.8" 2.38M CMOS
Total Pixels	1,952(H) x 1,116(V)
Effective Pixels	1,944(H) x 1,104(V)
Scanning System	Progressive
Min. Illumination	Color : 0.1Lux (F1.2, 50IRE), 0.001Lux (2sec, 50IRE), 0.03Lux (F1.2, 30IRE) B/W : 0.1Lux (F1.2, 50IRE), 0.03Lux (F1.2, 30IRE)
S / N Ratio	50dB
Video Output	CVBS : 1.0Vpp / 75Ω composite, 720 x 480(N), 720 x 576(P), for installation DIP connector type
<b>LENS</b>	
Focus Control	Manual
Lens Type	Manual / DC auto iris, P-Iris
Mount Type	C / CS
<b>OPERATIONAL</b>	
Camera Title	Off / On (Displayed up to 45 characters)
Day & Night	Auto (Electrical) / Color / B/W / External / Schedule
Backlight Compensation	Off / BLC
Wide Dynamic Range	120dB
Contrast Enhancement	SSDR (Samsung Super Dynamic Range) (Off / On)
Digital Noise Reduction	SSNRIII (2D+3D noise filter) (Off / On)
Digital Image Stabilization	Off / On
Defog	Off / Auto / Manual
Motion Detection	Off / On (4ea 4 points polygonal zones)
Privacy Masking	Off / On (32 zones with 4 points of polygonal)
Gain Control	Off / Low / Middle / High
White Balance	ATW / AWC / Manual / Indoor / Outdoor
Electronic Shutter Speed	Minimum / Maximum / Anti flicker (2 ~ 1/12,000sec)
Flip / Mirror	Off / On
Intelligent Video Analytics	Tampering, Virtual line, Enter / Exit, (Dis)Appear, Audio detection, Face detection
Alarm I/O	Input 1ea / Output 1ea
Remote Control Interface	RS-485
RS-485 Protocol	Samsung-T/E, Pelco-P/D, Sungjin, Panasonic, Honeywell, AD, Vicon, GE, Bosch
Alarm Triggers	Motion detection, Tampering, Audio detection, Face detecton, Video analytics, Alarm input, Network disconnection
Alarm Events	File upload via FTP and E-mail, Notification via E-mail, Local storage (SD/SDHC/SDXC) or NAS recording at Event (Alarm triggers), External output
<b>NETWORK</b>	
Ethernet	RJ-45 (10/100BASE-T)
Video Compression Format	H.264 (MPEG-4 part 10/AVC), MJPEG
Resolution	1920 x 1080, 1280 x 1024, 1280 x 960, 1280 x 720, 1024 x 768, 800 x 600, 800 x 450, 640 x 480, 640 x 360, 320 x 240, 320 x 180
Max. Framerate	H.264 : Max. 60fps at all resolutions MJPEG : 1920 x 1080, 1280 x 1024, 1280 x 960, 1280 x 720, 1024 x 768 : Max. 15fps 800 x 600, 800 x 450, 640 x 480, 640 x 360, 320 x 240, 320 x 180 : Max. 30fps
Video Quality Adjustment	H.264 : Compression level, Target bitrate level control, MJPEG : Quality level control
Bitrate Control Method	H.264 : CBR or VBR, MJPEG : VBR
Streaming Capability	Multiple streaming (Up to 10 profiles)
Audio In	Selectable (Mic in / Line in), Built-in mic. Max output level : 1 Vrms Supply voltage : 2.5V DC (4mA), Input impedance : approx. 2K Ohm
Audio Out	Line out (3.5mm stereo mini jack)
Audio Compression Format	G.711 u-law/G.726 selectable, G.726 (ADPCM) 8KHz, G.711 8KHz G.726 : 16Kbps, 24Kbps, 32Kbps, 40Kbps
Audio Communication	Bi-directional audio
IP	IPv4, IPv6
Protocol	TCP/IP, UDP/IP, RTP(UDP), RTP(TCP), RTCP, RTSP, NTP, HTTP, HTTPS, SSL, DHCP, PPPoE, FTP, SMTP, ICMP, IGMP, SNMPv1/v2c/v3(MIB-2), ARP, DNS, DDNS, QoS, PIM-SM, UPnP, Bonjour
Security	HTTPS(SSL) login authentication, Digest login authentication IP address filtering, User access log, 802.1x authentication
Streaming Method	Unicast / Multicast
Max. User Access	15 users at unicast mode
Edge Storage	SD/SDHC/SDXC - motion Images recorded in the SD/SDHC/SDXC memory card can be downloaded. NAS (Network Attached Storage)
Application Programming Interface	ONVIF profile S & G, HTTP API (SUNAPI) 2.0, S/NP 1.2
Webpage Language	English, French, German, Spanish, Italian, Chinese, Korean, Russian, Japanese, Swedish, Danish, Portuguese, Turkish, Polish, Czech, Rumanian, Serbian, Dutch, Croatian, Hungarian, Greek, Norwegian, Finnish
Web Viewer	Supported OS : Windows XP / VISTA / 7 / 8 / 8.1, MAC OS X 10.7 Supported Browser : Microsoft Internet Explorer (Ver. 11 ~ 8) Mozilla Firefox (Ver. 19 ~ 9) * Windows only Google Chrome (Ver. 25 ~ 15) * Windows only Apple Safari (Ver. 6.0.2(Mac OS X 10.8, 10.7 only), 5.1.7) * Mac OS X only
Central Management Software	SmartViewer, SSM
<b>ENVIRONMENTAL</b>	
Operating Temperature / Humidity	-10°C ~ +55°C (+14°F ~ +131°F) / Less than 90% RH
Storage Temperature / Humidity	-30°C ~ +60°C (-22°F ~ +140°F) / Less than 90% RH
<b>ELECTRICAL</b>	
Input Voltage / Current	24V AC ±10%, 12V DC ±10%, PoE (IEEE802.3af, Class3)
Power Consumption	Max. 9.5W (24V AC, 50 ~ 60Hz), Max. 8.38W (12V DC), Max. 9.18W (PoE, Class3)
<b>MECHANICAL</b>	
Color / Material	Black, Ivory / Aluminium, Plastic
Dimensions (WxHxD)	73.1 x 66.6 x 136.2mm (2.88" x 2.62" x 5.36")
Weight	330g (0.73 lb)

\* Data recorded on an SD memory card may be lost or damaged by data access during power-off, mechanical shock, memory card detachment, or other operations. Data loss or damage can also occur when a memory card reaches end of life, which varies according to operational conditions. No guarantee is given against damage (including passive damage).

\* The latest product information / specification can be found at [www.samsungsecurity.com](http://www.samsungsecurity.com)

# SNB-5004/5003

1.3Megapixel HD Network Camera



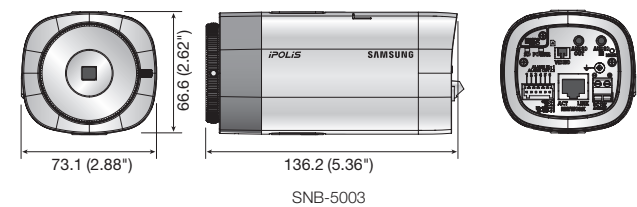
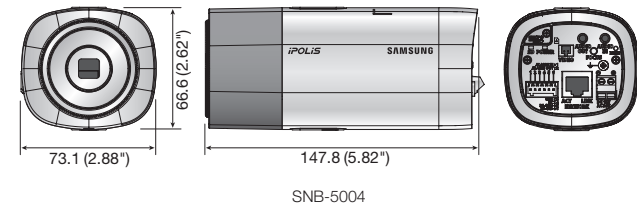
\* Lens not included

## Key Features

- Max. 1.3M (1280 x 1024) resolution
- 16 : 9 HD (720p) resolution support
- H.264, MPEG-4, MJPEG multiple codec, Multiple streaming
- WDR (130dB), Enhanced DIS, Defog, P-Iris
- Simple focus, Day & Night (ICR) : SNB-5004
- SD/SDHC/SDXC memory slot, Multi-crop streaming
- PoE, Bi-directional audio support

## Dimensions

Unit : mm (inch)



## Available Lenses / Accessories (Optional)



\* Data recorded on an SD memory card may be lost or damaged by data access during power-off, mechanical shock, memory card detachment, or other operations. Data loss or damage can also occur when a memory card reaches end of life, which varies according to operational conditions. No guarantee is given against damage (including passive damage).

	SNB-5004N/P	SNB-5003N/P
<b>VIDEO</b>		
Imaging Device	1/3" 1.3M CMOS	
Total Pixels	1,312(H) x 1,069(V)	
Effective Pixels	1,305(H) x 1,049(V)	
Scanning System	Progressive	
Min. Illumination	Color : 0.05Lux (1/30sec, F1.2, 50IRE), 0.0008Lux (2sec, F1.2, 50IRE) 0.008Lux (1/30sec, F1.2, 30IRE) B/W : 0.005Lux (1/30sec, F1.2, 50IRE) 0.002Lux (1/30sec, F1.2, 30IRE)	Color : 0.05Lux (1/30sec, F1.2, 50IRE), 0.0008Lux (2sec, F1.2, 50IRE) 0.008Lux (1/30sec, F1.2, 30IRE) B/W : 0.05Lux (1/30sec, F1.2, 50IRE) 0.008Lux (1/30sec, F1.2, 30IRE)
S / N Ratio	50dB	
Video Output	CVBS : 1.0 Vpp / 75Ω composite, 704 x 480(N), 704 x 576(P), for installation, DIP connector type	
<b>LENS</b>		
Focus Control	Simple focus / Manual Remote control via network, Button control (Manual, Simple focus, Day & Night)	Manual
Lens Type	Manual / DC auto iris, P-Iris	
Mount Type	C / CS	
<b>OPERATIONAL</b>		
Camera Title	Off / On (Displayed up to 40 characters)	
Day & Night	Auto (ICR) / Color / B/W / External / Schedule   Auto (Electrical) / Color / B/W / External / Schedule	
Backlight Compensation	Off / BLC	
Wide Dynamic Range	130dB	
Contrast Enhancement	SSDR (Samsung Super Dynamic Range) (Off / On)	
CAR (Color Aberration Reduction)	Off / Low / Middle / High	
Digital Noise Reduction	SSNR III (2D+3D noise filter) (Off / On)	
Digital Image Stabilization	Off / On	
Defog	Off / Auto / Manual	
Motion Detection	Off / On (4ea 4 points polygonal zones)	
Privacy Masking	Off / On (32 zones with 4 points of polygonal)	
Gain Control	Off / Low / Middle / High	
White Balance	ATW / AWC / Manual / Indoor / Outdoor	
Electronic Shutter Speed	Minimum / Maximum / Anti flicker (2 ~ 1/12,000sec)	
Flip / Mirror	Off / On	
Intelligent Video Analytics	Tampering, Virtual line, Enter / Exit, (Dis)Appear, Audio detection, Face detection	
Alarm I/O	Input 1ea / Output 1ea	
Remote Control Interface	RS-485	
RS-485 Protocol	Samsung-T/E, Pelco-P/D, Sunjinn	
Alarm Triggers	Motion detection, Tampering, Audio detection, Face detection, Video analytics, Network disconnection	
Alarm Events	File upload via FTP and E-mail, Notification via E-mail, Local storage (SD/SDHC/SDXC) or NAS recording at Event (Alarm triggers), External output	
<b>NETWORK</b>		
Ethernet	RJ-45 (10/100BASE-T)	
Video Compression Format	H.264 (MPEG-4 part 10/AVC), MJPEG	
Resolution	1280 x 1024, 1280 x 720P (HD), 1024 x 768, 800 x 600, 640 x 480, 320 x 240	
Max. Framerate	H.264 : Max. 60fps at all resolutions, MJPEG : Max. 30fps at all resolutions	
Video Quality Adjustment	H.264 : Compression level, Target bitrate level control, MJPEG : Quality level control	
Bitrate Control Method	H.264 : CBR or VBR, MJPEG : VBR	
Streaming Capability	Multiple streaming (Up to 10 profiles)	
Audio In	Selectable (Mic in / Line in), Max output level : 1 Vrms Supply voltage : 2.5V DC (4mA), Input impedance : approx. 2K Ohm	
Audio Out	Line out (3.5mm stereo mini jack)	
Audio Compression Format	G.711 u-law/G.726 selectable, G.726 (ADPCM) 8KHz, G.711 8KHz G.726 : 16Kbps, 24Kbps, 32Kbps, 40Kbps	
Audio Communication	Bi-directional audio	
IP	IPv4, IPv6	
Protocol	TCP/IP, UDP/IP, RTP(UDP), RTP(TCP), RTCP, RTSP, NTP, HTTP, HTTPS, SSL, DHCP, PPPoE, FTP, SMTP, ICMP, IGMP, SNMPv1/v2c/v3(MIB-2), ARP, DNS, DDNS, QoS, PIM-SM, UPnP, Bonjour	
Security	HTTPS(SSL) login authentication, Digest login authentication IP address filtering, User access log, 802.1x authentication	
Streaming Method	Unicast / Multicast	
Max. User Access	15 users at unicast mode	
Edge Storage	SD/SDHC/SDXC	
Application Programming Interface	Motion images recorded in the SDXC/SDHC/SD memory card can be downloaded ONVIF profile S, HTTP API (SUNAPI) 2.0, SVNP 1.2	
Webpage Language	English, French, German, Spanish, Italian, Chinese, Korean, Russian, Japanese, Swedish, Danish, Portuguese, Turkish, Polish, Czech, Rumanian, Serbian, Dutch, Croatian, Hungarian, Greek, Norwegian, Finnish	
Web Viewer	Supported OS : Windows XP / VISTA / 7 / 8 / 8.1, MAC OS X 10.7 Supported Browser : Microsoft Internet Explorer (Ver. 11 ~ 8) Mozilla Firefox (Ver. 19 ~ 9) * Windows only Google Chrome (Ver. 25 ~ 15) * Windows only Apple Safari (Ver. 6.0.2 (Mac OS X 10.8, 10.7 only), 5.1.7) * Mac OS X only	
Central Management Software	SmartViewer	
<b>ENVIRONMENTAL</b>		
Operating Temperature / Humidity	-10°C ~ +55°C (+14°F ~ +131°F) / Less than 90% RH	
Storage Temperature / Humidity	-30°C ~ +60°C (-22°F ~ +140°F) / Less than 90% RH	
<b>ELECTRICAL</b>		
Input Voltage / Current	24V AC, 12V DC, PoE (IEEE802.3af, Class3)	
Power Consumption	Max. 12.5W (24V AC, 50 ~ 60Hz), Max. 10.5W (12V DC), Max. 12W (PoE, Class3)	
<b>MECHANICAL</b>		
Color / Material	Black, Ivory / Aluminium, Plastic	
Dimensions (WxHxD)	73.1 x 66.6 x 147.8mm (2.88" x 2.62" x 5.82")	73.1 x 66.6 x 136.2mm (2.88" x 2.62" x 5.36")
Weight	395g (0.87 lb)	330g (0.73 lb)

\* The latest product information / specification can be found at [www.samsungsecurity.com](http://www.samsungsecurity.com)

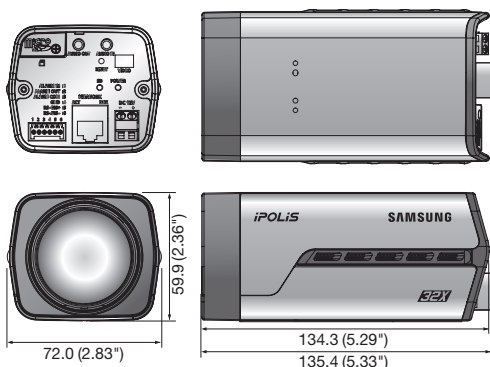


## Key Features

- Max. 2M (1920 x 1080) resolution
- 16 : 9 Full HD (1080p) resolution support
- 0.15Lux@F1.6 (Color), 0.015Lux@F1.6 (B/W)
- 4.44 ~ 142.6mm (32x) optical zoom, 16x digital zoom
- H.264, MJPEG dual codec, Multiple streaming
- Day & Night (ICR), WDR (120dB)
- Intelligent video analytics
- PoE, SD/SDHC/SDXC memory slot, Bi-directional audio support

## Dimensions

Unit : mm (inch)



## Accessories (Optional)



SNZ-6320N/P	
<b>VIDEO</b>	
Imaging Device	1/2.8" 2.38M CMOS
Total / Effective Pixels	1,952(H) x 1,116(V), 2.18M / 1,944(H) x 1,104(V), 2.14M
Scanning System	Progressive
Min. Illumination	Color : 0.3Lux (1/30sec, F1.6, 50IRE), 0.15Lux (1/30sec, F1.6, 30IRE) B/W : 0.03Lux (1/30sec, F1.6, 50IRE), 0.015Lux (1/30sec, F1.6, 30IRE)
S / N Ratio	50dB
Video Output	CVBS : 1.0Vpp / 75Ω composite, 720 x 480(N), 720 x 576(P), for installation DIP connector type
<b>LENS</b>	
Focal Length (Zoom Ratio)	4.44 ~ 142.6mm (Optical 32x)
Max. Aperture Ratio	F1.6(Wide) / F4.4(Tele)
Angular Field of View	H : 62.8°(Wide) ~ 2.23°(Tele) / V : 36.80°(Wide) ~ 1.26°(Tele)
Min. Object Distance	1.5m (4.92ft)
Focus Control	Auto / Manual / One push
Lens / Mount Type	DC auto iris / Board-in type
<b>OPERATIONAL</b>	
Camera Title	Off / On (Displayed up to 45 characters)
Day & Night	Auto (ICR) / Color / B/W / External / Schedule
Backlight Compensation	Off / BLC
Wide Dynamic Range	120dB
Contrast Enhancement	SSDR (Samsung Super Dynamic Range) (Off / On)
Digital Noise Reduction	SSNR III (2D+3D noise filter) (Off / On)
Digital Image Stabilization	Off / On
Defog	Off / Auto / Manual
Motion Detection	Off / On (4ea 4 points polygonal zones)
Privacy Masking	Off / On (32 zones with 2 points of rectangle)
Gain Control	Off / Low / Middle / High
White Balance	ATW / AWC / Manual / Indoor / Outdoor / Mercury
Electronic Shutter Speed	Minimum / Maximum / Anti flicker (2 ~ 1/12,000sec)
Digital Zoom	16x
Flip / Mirror	Off / On
Intelligent Video Analytics	Tampering, Virtual line, Enter / Exit, (Dis)Appear, Audio detection, Face detection
Alarm I/O	Input 1ea / Output 1ea (Relay)
Remote Control Interface	RS-485
RS-485 Protocol	Samsung-T/E, Pelco-P/D, Panasonic, Honeywell, AD, Vicon, Bosch, GE
Alarm Triggers	Motion detection, Tampering, Audio detection, Face detection, Video analytics, Alarm input, Network disconnection
Alarm Events	File upload via FTP and E-mail, Notification via E-mail, Local storage(SD/SDHC/SDXC) or NAS recording at Network disconnected & Event (Alarm Triggers), External output
<b>NETWORK</b>	
Ethernet	RJ-45 (10/100BASE-T)
Video Compression Format	H.264 (MPEG-4 part 10/AVC), MJPEG
Resolution	1920 x 1080, 1280 x 1024, 1280 x 960, 1280 x 720, 1024 x 768, 800 x 600, 800 x 450, 720 x 576, 640 x 480, 640 x 360, 320 x 240, 320 x 180
Max. Framerate	H.264 : Max. 60fps at all resolutions MJPEG : 1920 x 1080, 1280 x 1024, 1280 x 960, 1280 x 720, 1024 x 768 : Max. 15fps 800 x 600, 800 x 450, 720 x 576, 640 x 480, 640 x 360, 320 x 240, 320 x 180 : Max. 30fps
Smart Codec	Manual mode (Area-based : 5ea), Face detection mode
Video Quality Adjustment	H.264 : Compression level, Target bitrate level control, MJPEG : Quality level control
Bitrate Control Method	H.264 : CBR or VBR, MJPEG : VBR
Streaming Capability	Multiple streaming (Up to 10 profiles)
Audio In	Selectable (Mic in / Line in), Supply voltage : 2.5V DC (4mA), Input impedance : approx. 2K Ohm
Audio Out	Line out (3.5mm stereo mini jack), Max output level : 1Vrms
Audio Compression Format	G.711 u-law/G.726 selectable, G.726 (ADPCM) 8KHz, G.711 8KHz, G.726 : 16Kbps, 24Kbps, 32Kbps, 40Kbps
Audio Communication	Bi-directional audio
IP	IPv4, IPv6
Protocol	TCP/IP, UDP/IP, RTP(UDP), RTP(TCP), RTCP, RTSP, NTP, HTTP, HTTPS, SSL, DHCP, PPPoE, FTP, SMTP, ICMP, IGMP, SNMPv1/v2c/v3(MIB-2), ARP, DNS, DDNS, QoS, PIM-SM, UPnP, Bonjour
Security	HTTPS(SSL) login authentication, Digest login authentication IP address filtering, User access log, 802.1x authentication
Streaming Method	Unicast / Multicast
Max. User Access	10 users at unicast mode
Edge Storage	SD/SDHC/SDXC - motion Images recorded in the SD/SDHC/SDXC memory card can be downloaded. NAS (Network Attached Storage)
Application Programming Interface	ONVIF profile S, SUNAPI 2.0, SVNP 1.2
Webpage Language	English, French, German, Spanish, Italian, Chinese, Korean, Russian, Japanese, Swedish, Danish, Portuguese, Turkish, Polish, Czech, Rumanian, Serbian, Dutch, Croatian, Hungarian, Greek, Finnish, Norwegian
Web Viewer	Supported OS : Windows XP / VISTA / 7 / 8 / 8.1, MAC OS X 10.7 / 10.8 Supported Browser : Microsoft Internet Explorer (Ver. 8 ~ 11), Mozilla Firefox (Ver. 9 ~ 19), Google Chrome (Ver. 15 ~ 32) Apple Safari (Ver. 6.0.2(Mac OS X 10.8, 10.7 only), 5.1.7) * Mac OS X only
Central Management Software	SmartViewer, SSM, Mobile viewer
<b>ENVIRONMENTAL</b>	
Operating Temperature / Humidity	-10°C ~ +55°C (+14°F ~ +131°F) / Less than 90% RH
Storage Temperature / Humidity	-30°C ~ +60°C (-22°F ~ +140°F) / Less than 90% RH
<b>ELECTRICAL</b>	
Input Voltage / Current	12V DC, PoE (IEEE802.3af, Class3)
Power Consumption	Max. 9W (12V DC) / Max. 10W (PoE)
<b>MECHANICAL</b>	
Color / Material	Dark gray / Metal
Dimensions (WxH)	72.0 x 59.9 x 135.4mm (2.83" x 2.36" x 5.33")
Weight	540g (1.19lb)

\* The latest product information / specification can be found at [www.samsungsecurity.com](http://www.samsungsecurity.com)

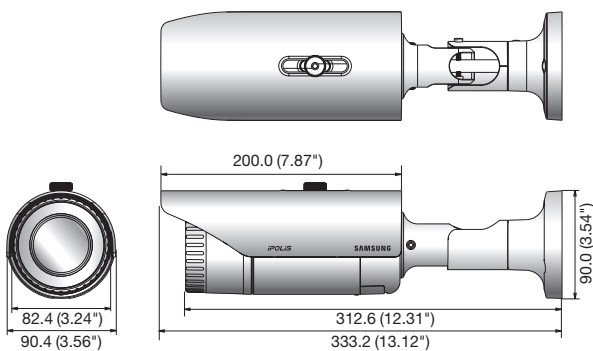


## Key Features

- Max. 3M (2048 x 1536) resolution
- 30fps@2048 x 1536 / 60fps@1920 x 1080
- 3 ~ 8.5mm (2.8x) motorized varifocal lens
- Simple focus (Motorized V/F), P-Iris
- Day & Night (ICR), Enhanced DIS, Defog
- 3M real-time WDR (Max. 120dB)
- micro SD/SDHC/SDXC memory slot (4GB included)
- Multi-crop streaming
- IR LED (20ea), PoE, IP66, IK10, Bi-directional audio support

## Dimensions

Unit : mm (inch)



\* Data recorded on an SD memory card may be lost or damaged by data access during power-off, mechanical shock, memory card detachment, or other operations. Data loss or damage can also occur when a memory card reaches end of life, which varies according to operational conditions. No guarantee is given against damage (including passive damage).

## SNO-7084RN/P

<b>VIDEO</b>	
Imaging Device	1/2.8" 3.2M CMOS
Total / Effective Pixels	2,065(H) x 1,565(V) / 2,065(H) x 1,553(V)
Scanning System	Progressive
Min. Illumination	Color : 0.1Lux (F1.2, 50IRE), 0.06Lux (F1.2, 30IRE), 0.0017Lux (2sec, F1.2, 30IRE) B/W : 0Lux (F1.2, 50IRE), 0Lux (F1.2, 30IRE), 0Lux (2sec, F1.2, 50IRE)
S / N Ratio	50dB
Video Output	CVBS : 1.0Vpp / 75Ω composite, 720 x 480(N), 720 x 576(P), for installation, Connector type
<b>LENS</b>	
Focal Length (Zoom Ratio)	3 ~ 8.5mm (2.8x) motorized varifocal
Max. Aperture Ratio	F1.2
Angular Field of View	H : 100.12°(Wide) ~ 35.38°(Tele) / V : 73.76°(Wide) ~ 26.58°(Tele)
Min. Object Distance	0.5m (1.64ft)
Focus Control	Simple focus (Motorized V/F) / Manual, Remote control via network (Manual, Simple focus)
Lens Type / Mount Type	DC auto iris, P-Iris / Board-in type
<b>OPERATIONAL</b>	
IR LED	20ea
Viewable Length	30m (98.43ft)
Camera Title	Off / On (Displayed up to 45 characters)
Day & Night	Auto (ICR) / Color / B/W / External / Schedule
Backlight Compensation	Off / BLC / WDR
Wide Dynamic Range	120dB
Contrast Enhancement	SSDR (Samsung Super Dynamic Range) (Off / On)
Digital Noise Reduction	SSNR III (2D+3D noise filter) (Off / On)
Digital Image Stabilization	Off / On
Defog	Off / Auto / Manual
Motion Detection	Off / On (4 zones with 4-sided polygon)
Privacy Masking	Off / On (32 zones with 4-sided polygon)
Gain Control	Off / Low / Middle / High
White Balance	ATW / AWC / Manual / Indoor / Outdoor
Electronic Shutter Speed	Minimum / Maximum / Anti flicker (1 ~ 1/12,000sec)
Flip / Mirror	Off / On
Intelligent Video Analytics	Tampering, Virtual line, Enter / Exit, (Dis)Appear, Audio detection, Face detection with metadata
Alarm I/O	Input 1ea / Output 1ea
Alarm Triggers	Motion detection, Tampering, Audio detection, Face detection, Network disconnection, Video analytics, Alarm input
Alarm Events	File upload via FTP and E-mail, Notification via E-mail, Local storage (SD/SDHC/SDXC) or NAS recording at Event, External output
<b>NETWORK</b>	
Ethernet	RJ-45 (10/100BASE-T)
Video Compression Format	H.264 (MPEG-4 part 10/AVC), MJPEG
Resolution	2048 x 1536, 1920 x 1080, 1600 x 1200, 1280 x 1024, 1280 x 960, 1280 x 720, 1024 x 768, 800 x 600, 800 x 450, 640 x 480, 640 x 360, 320 x 240, 320 x 180
Max. Framerate	H.264 : Max. 30fps@2048 x 1536, 1600 x 1200, Max 60fps@the other resolutions MJPEG : Max. 10fps@2048 x 1536 Max. 15fps@1920 x 1080, 1600 x 1200, 1280 x 1024, 1280 x 960, 1280 x 720, 1024 x 768 Max. 30fps@800 x 600, 800 x 450, 640 x 480, 640 x 360, 320 x 240, 320 x 180
Smart Codec	Manual mode (Area-based : 5ea), Face detection mode
Video Quality Adjustment	H.264 : Compression level, Target bitrate level control, MJPEG : Quality level control
Bitrate Control Method	H.264 : CBR or VBR, MJPEG : VBR
Streaming Capability	Multiple streaming (Up to 10 profiles)
Audio In	Selectable (Mic in / Line in), Supply voltage : 2.5V DC (4mA), Input impedance : approx. 2K Ohm
Audio Out	Line out (3.5mm mono jack), Max output level : 1 Vrms
Audio Compression Format	G.711 u-law/G.726 selectable, G.726 (ADPCM) 8KHz, G.711 8KHz G.726 : 16Kbps, 24Kbps, 32Kbps, 40Kbps
Audio Communication	Bi-directional audio
IP	IPv4, IPv6
Protocol	TCP/IP, UDP/IP, RTP(UDP), RTP(TCP), RTCP, RTSP, NTP, HTTP, HTTPS, SSL, DHCP, PPPoE, FTP, SMTP, ICMP, IGMP, SNMPv1/v2c/v3(MIB-2), ARP, DNS, DDNS, QoS, PIM-SM, UPnP, Bonjour
Security	HTTPS(SSL) login authentication, Digest login authentication IP address filtering, User access log, 802.1x authentication
Streaming Method	Unicast / Multicast
Max. User Access	15 users at unicast mode micro SD/SDHC/SDXC (4GB included)
Edge Storage	Motion images recorded in the SDXC/SDHC/SD memory card can be downloaded NAS (Network Attached Storage)
Application Programming Interface	ONVIF profile S, HTTP API (SUNAPI) 2.0, S/NP 1.2
Webpage Language	English, French, German, Spanish, Italian, Chinese, Korean, Russian, Japanese, Swedish, Danish, Portuguese, Turkish, Polish, Czech, Rumanian, Serbian, Dutch, Croatian, Hungarian, Greek, Norwegian, Finnish
Web Viewer	Supported OS : Windows XP / VISTA / 7 / 8 / 8.1, MAC OS X 10.7 Supported Browser : Microsoft Internet Explorer (Ver. 11 ~ 8) Mozilla Firefox (Ver. 19 ~ 9) * Windows only Google Chrome (Ver. 25 ~ 15) * Windows only Apple Safari (Ver. 6.0.2(Mac OS X 10.8, 10.7 only), 5.1.7) * Mac OS X only
Central Management Software	SmartViewer, SSM
<b>ENVIRONMENTAL</b>	
Operating Temperature / Humidity	24V AC : -50°C ~ +55°C (-58°F ~ +131°F) / Less than 90% RH 12V DC, PoE : -20°C ~ +55°C (-4°F ~ +131°F) / Less than 90% RH * Start up should be done at above -10°C (+14°F)
Storage Temperature / Humidity	-30°C ~ +60°C (-22°F ~ +140°F) / Less than 90% RH
Ingress Protection / Vandal Resistance	IP66 / IK10
<b>ELECTRICAL</b>	
Input Voltage / Current	24V AC, 12V DC, PoE (IEEE802.3af, Class3)
Power Consumption	Max. 11.5W (12V DC), Max. 12.5W (PoE), Max. 13W / 19W (24V AC, Heater off / on) * Heater works at AC power input only
<b>MECHANICAL</b>	
Color / Material	Dark gray / Aluminium
Dimensions (WxHxD)	82.4 x 82.4 x 312.6mm (3.24" x 3.24" x 12.31") (Without sunshield)
Weight	1.19Kg (2.62 lb) (With sunshield)

\* The latest product information / specification can be found at [www.samsungsecurity.com](http://www.samsungsecurity.com)



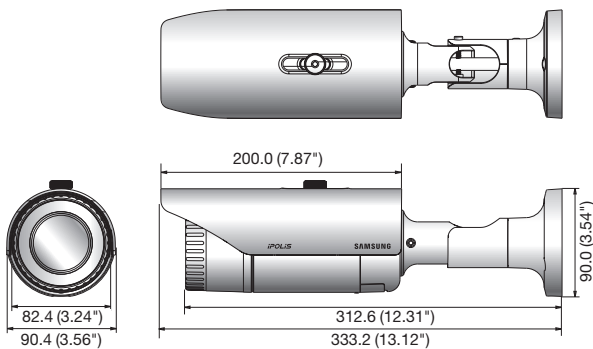


## Key Features

- Max. 2M (1920 x 1080) resolution
- 0.03Lux@F1.2 (Color), 0Lux@F1.2 (B/W : IR LED on)
- 3 ~ 8.5mm (2.8x) motorized varifocal lens
- H.264, MJPEG dual codec, Multiple streaming
- WDR (120dB), Simple focus (Motorized V/F), P-Iris, Defog
- Audio / Face / Motion detection
- micro SD/SDHC/SDXC memory slot (4GB included)
- Multi-crop streaming
- IR LED (20ea), PoE, UPnP, IP66, IK10, Bi-directional audio support

## Dimensions

Unit : mm (inch)



SNO-6084RN/P	
<b>VIDEO</b>	
Imaging Device	1/2.8" 2.38M CMOS (IMX136)
Total Pixels	1,952(H) x 1,116(V)
Effective Pixels	1,944(H) x 1,104(V)
Scanning System	Progressive
Min. Illumination	Color : 0.1Lux (F1.2, 50IRE), 0.0017Lux (2sec, F1.2, 50IRE), 0.03Lux (F1.2, 30IRE) B/W : 0Lux (F1.2, 50IRE, IR LED on), 0Lux (F1.2, 30IRE, IR LED on)
S / N Ratio	50dB
Video Output	CVBS : 1.0 Vpp / 75Ω composite, 704 x 480(N), 704 x 576(P), for installation DIP connector type
<b>LENS</b>	
Focal Length (Zoom Ratio)	3 ~ 8.5mm (2.8x) motorized varifocal
Max. Aperture Ratio	F1.2
Angular Field of View	H : 105.5°(Wide) ~ 37.1°(Tele) / V : 57.5°(Wide) ~ 21.0°(Tele)
Min. Object Distance	0.5m (1.64ft)
Focus Control	Simple focus (Motorized V/F) / Manual, Remote control via network (Manual, Simple focus)
Lens Type	DC auto iris, P-Iris
Mount Type	Board-in type
<b>OPERATIONAL</b>	
IR LED	20ea
Viewable Length	30m (98.43ft)
Camera Title	Off / On (Displayed up to 45 characters)
Day & Night	Auto (ICR) / Color / B/W / External / Schedule
Backlight Compensation	Off / BLC
Wide Dynamic Range	120dB
Contrast Enhancement	SSDR (Samsung Super Dynamic Range) (Off / On)
Digital Noise Reduction	SSNR III (2D+3D noise filter) (Off / On)
Digital Image Stabilization	Off / On
Defog	Off / Auto / Manual
Motion Detection	Off / On (4ea 4 points polygonal zones)
Privacy Masking	Off / On (32 zones with 4 points of polygonal)
Gain Control	Off / Low / Middle / High
White Balance	ATW / AWC / Manual / Indoor / Outdoor
Electronic Shutter Speed	Minimum / Maximum / Anti flicker
Flip / Mirror	Off / On
Intelligent Video Analytics	Tampering, Virtual line, Enter / Exit, (Dis)Appear, Audio detection, Face detection
Alarm I/O	Input 1ea / Output 1ea
Alarm Triggers	Motion detection, Tampering, Audio detection, Face detection, Video analytics, Network disconnection, Alarm input
Alarm Events	File upload via FTP and E-mail, Notification via E-mail, Local storage (SD/SDHC/SDXC) or NAS recording at Event (Alarm triggers), External output
<b>NETWORK</b>	
Ethernet	RJ-45 (10/100BASE-T)
Video Compression Format	H.264 (MPEG-4 part 10/AVC), MJPEG
Resolution	1920 x 1080, 1280 x 1024, 1280 x 960, 1280 x 720, 1024 x 768, 800 x 600, 800 x 450, 640 x 480, 640 x 360, 320 x 240, 320 x 180
Max. Framerate	H.264 : Max. 60fps at all resolutions MJPEG : 1920 x 1080, 1280 x 1024, 1280 x 960, 1280 x 720, 1024 x 768 : Max. 15fps 800 x 600, 800 x 450, 640 x 480, 640 x 360, 320 x 240, 320 x 180 : Max. 30fps
Video Quality Adjustment	H.264 : Compression level, Target bitrate level control, MJPEG : Quality level control
Bitrate Control Method	H.264 : CBR or VBR, MJPEG : VBR
Streaming Capability	Multiple streaming (Up to 10 profiles)
Audio In	Selectable (Mic in / Line in), Max output level : 1 Vrms Supply voltage : 2.5V DC (4mA), Input impedance : approx. 2K Ohm
Audio Out	Line out (3.5mm stereo mini jack)
Audio Compression Format	G.711 u-law/G.726 selectable, G.726 (ADPCM) 8KHz, G.711 8KHz G.726 : 16Kbps, 24Kbps, 32Kbps, 40Kbps
Audio Communication	Bi-directional audio
IP	IPv4, IPv6
Protocol	TCP/IP, UDP/IP, RTP(UDP), RTP(TCP), RTCP, RTSP, NTP, HTTP, HTTPS, SSL, DHCP, PPPoE, FTP, SMTP, ICMP, IGMP, SNMPv1/v2c/v3(MIB-2), ARP, DNS, DDNS, QoS, PIM-SM, UPnP, Bonjour
Security	HTTPS(SSL) login authentication, Digest login authentication IP address filtering, User access log, 802.1x authentication
Streaming Method	Unicast / Multicast
Max. User Access	15 users at unicast mode
Edge Storage	micro SD/SDHC/SDXC (4GB included) - motion images recorded in the SD/SDHC/SDXC memory card can be downloaded. NAS (Network Attached Storage)
Application Programming Interface	ONVIF profile S & G, HTTP API (SUNAPI) 2.0, S/NP 1.2
Webpage Language	English, French, German, Spanish, Italian, Chinese, Korean, Russian, Japanese, Swedish, Danish, Portuguese, Turkish, Polish, Czech, Rumanian, Serbian, Dutch, Croatian, Hungarian, Greek, Norwegian, Finnish
Web Viewer	Supported OS : Windows XP / VISTA / 7 / 8 / 8.1, MAC OS X 10.7 Supported Browser : Microsoft Internet Explorer (Ver. 11 ~ 8) Mozilla Firefox (Ver. 19 ~ 9) * Windows only Google Chrome (Ver. 25 ~ 15) * Windows only Apple Safari (Ver. 6.0.2(Mac OS X 10.8, 10.7 only), 5.1.7) * Mac OS X only
Central Management Software	SmartViewer
<b>ENVIRONMENTAL</b>	
Operating Temperature / Humidity	24V AC : -50°C ~ +55°C (-58°F ~ +131°F) / Less than 90% RH 12V DC, PoE : -20°C ~ +55°C (-4°F ~ +131°F) / Less than 90% RH * Start up should be done at above -10°C (+14°F)
Storage Temperature / Humidity	-30°C ~ +60°C (-22°F ~ +140°F) / Less than 90% RH
Ingress Protection	IP66
Vandal Resistance	IK10
<b>ELECTRICAL</b>	
Input Voltage / Current	24V AC ±10%, 12V DC ±10%, PoE (IEEE802.3af)
Power Consumption	Max. 11W (Heater off), Max. 17W (24V AC - Heater on)
<b>MECHANICAL</b>	
Color / Material	Dark gray / Aluminum
Dimensions (WxHxD)	82.4 x 82.4 x 312.6mm (3.24" x 3.24" x 12.31") (Without sunshield)
Weight	1.19Kg (2.62 lb) (With sunshield)

\* Data recorded on an SD memory card may be lost or damaged by data access during power-off, mechanical shock, memory card detachment, or other operations. Data loss or damage can also occur when a memory card reaches end of life, which varies according to operational conditions. No guarantee is given against damage (including passive damage).

\* The latest product information / specification can be found at [www.samsungsecurity.com](http://www.samsungsecurity.com)

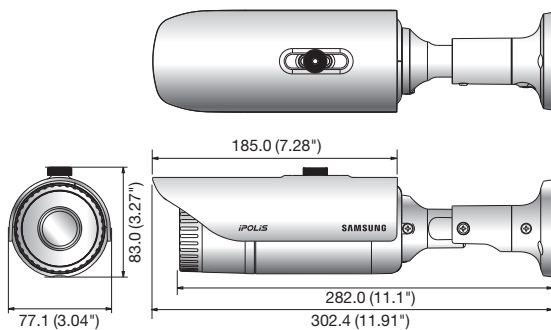


## Key Features

- Max. 2M (1920 x 1080) resolution
- Built-in 3.8mm fixed lens
- H.264, MJPEG dual codec, Multiple streaming
- WDR (120dB), Defog
- Day & Night (ICR), Enhanced DIS
- micro SD/SDHC/SDXC memory slot
- Multi-crop streaming
- IR LED (16ea), PoE, IP66

## Dimensions

Unit : mm (inch)



\* Data recorded on an SD memory card may be lost or damaged by data access during power-off, mechanical shock, memory card detachment, or other operations. Data loss or damage can also occur when a memory card reaches end of life, which varies according to operational conditions. No guarantee is given against damage (including passive damage).

## SNO-6011RN/P

<b>VIDEO</b>	
Imaging Device	1/2.8" 2.38M CMOS
Total Pixels	1,952(H) x 1,236(V)
Effective Pixels	1,944(H) x 1,224(V)
Scanning System	Progressive
Min. Illumination	Color : 0.3Lux (F2.0, 50IRE), 0.03Lux (2sec, 50IRE), 0.08Lux (F2.0, 30IRE) B/W : 0Lux (IR LED on), 0Lux (F2.0, 30IRE, IR LED on)
S / N Ratio	50dB
Video Output	CVBS : 1.0Vpp / 75Ω composite, 704 x 480(N), 704 x 576(P)
<b>LENS</b>	
Focal Length (Zoom Ratio)	3.8mm fixed
Max. Aperture Ratio	F2.0
Angular Field of View	H : 84.5° / V : 45.8° / D : 98.8°
Min. Object Distance	0.5m (1.64ft)
Focus Control	Manual
Mount Type	Board-in type
<b>OPERATIONAL</b>	
IR LED	16ea
Viewable Length	15m (49.21ft)
Camera Title	Off / On (Displayed up to 45 characters)
Day & Night	Auto (ICR) / Color / B/W
Backlight Compensation	Off / BLC
Wide Dynamic Range	WDR 15fps 120dB
Contrast Enhancement	SSDR (Samsung Super Dynamic Range) (Off / On)
CAR (Color Aberration Reduction)	Off / Low / Middle / High
Digital Noise Reduction	SSNRIII (2D+3D noise filter) (Off / On)
Digital Image Stabilization	Off / On
Defog	Off / Auto / Manual
Motion Detection	Off / On (4ea 4 points polygonal zones)
Privacy Masking	Off / On (32ea polygonal zones)
Gain Control	Off / Low / Middle / High
White Balance	ATW / AWC / Manual / Indoor / Outdoor
Electronic Shutter Speed	Auto / A.FLK / Manual (1/30 ~ 12,000sec)
Flip / Mirror	Off / On
Intelligent Video Analytics	Tampering, Virtual line, Enter / Exit, (Dis)Appear, Face detection with metadata
Alarm I/O	Input 1ea
Alarm Triggers	Motion detection, Tampering, Face detection, Video analytics, Alarm input
Alarm Events	File upload via FTP and E-mail, Notification via E-mail, Local storage (SD/SDHC/SDXC) or NAS recording at Event (Alarm triggers)
<b>NETWORK</b>	
Ethernet	RJ-45 (10/100BASE-T)
Video Compression Format	H.264 (MPEG-4 part 10/AVC), MJPEG
Resolution	1920 x 1080, 1600 x 1200, 1280 x 1024, 1280 x 960, 1280 x 720, 1024 x 768, 800 x 600, 800 x 450, 640 x 480, 320 x 240, 320 x 180
Max. Framerate	H.264 : Max. 30fps at all resolutions MJPEG : 1920 x 1080, 1600 x 1200, 1280 x 1024, 1280 x 960, 1280 x 720, 1024 x 768 : Max. 15fps 800 x 600, 800 x 450, 640 x 480, 320 x 240, 320 x 180 : Max. 30fps
Video Quality Adjustment	H.264 : Compression level, Target bitrate level control, MJPEG : Quality level control
Bitrate Control Method	H.264 : CBR or VBR, MJPEG : VBR
Streaming Capability	Multiple streaming (Up to 10 profiles)
IP	IPv4, IPv6
Protocol	TCP/IP, UDP/IP, RTP(UDP), RTP(TCP), RTCP, RTSP, NTP, HTTP, HTTPS, SSL, DHCP, PPPoE, FTP, SMTP, ICMP, IGMP, SNMPv1/v2c/v3(MIB-2), ARP, DNS, DDNS, QoS, PIM-SM, UPnP, Bonjour
Security	HTTPS(SSL) login authentication, Digest login authentication IP address filtering, User access log, 802.1x authentication
Streaming Method	Unicast / Multicast
Max. User Access	15 users at unicast mode
Edge Storage	micro SD/SDHC/SDXC Motion images recorded in the SDXC/SDHC/SD memory card can be downloaded
Application Programming Interface	ONVIF profile S, HTTP API (SUNAPI) 2.0, SVNP 1.2
Webpage Language	English, French, German, Spanish, Italian, Chinese, Korean, Russian, Japanese, Swedish, Danish, Portuguese, Turkish, Polish, Czech, Rumanian, Serbian, Dutch, Croatian, Hungarian, Greek, Norwegian, Finnish
Web Viewer	Supported OS : Windows XP / VISTA / 7 / 8 / 8.1, MAC OS X 10.7 Supported Browser : Microsoft Internet Explorer (Ver. 11 ~ 8) Mozilla Firefox (Ver. 19 ~ 9) * Windows only Google Chrome (Ver. 25 ~ 15) * Windows only Apple Safari (Ver. 6.0.2(Mac OS X 10.8, 10.7 only), 5.1.7) * Mac OS X only
Central Management Software	SmartViewer
<b>ENVIRONMENTAL</b>	
Operating Temperature / Humidity	-30°C ~ +55°C (-22°F ~ +131°F) / Less than 90% RH * Start up should be done at above -10°C (+14°F)
Storage Temperature / Humidity	-30°C ~ +60°C (-22°F ~ +140°F) / Less than 90% RH
Ingress Protection	IP66
<b>ELECTRICAL</b>	
Input Voltage / Current	PoE (IEEE802.3af)
Power Consumption	Max. 8.5W
<b>MECHANICAL</b>	
Color / Material	Dark gray / Plastic
Dimensions (WxHxD)	77.1 x 83.0 x 302.4mm (3.04" x 3.27" x 11.91")
Weight	560g (1.23 lb)

\* The latest product information / specification can be found at [www.samsungsecurity.com](http://www.samsungsecurity.com)

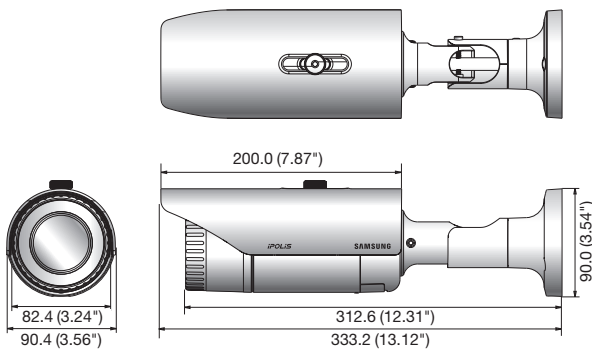


## Key Features

- Max. 1.3M (1280 x 1024) resolution
- 60fps@all resolutions
- 0.005Lux@F1.2 (Color), 0Lux@F1.2 (B/W : IR LED on)
- 3 ~ 8.5mm (2.8x) motorized varifocal lens
- H.264, MJPEG dual codec, Multiple streaming
- Day & Night (ICR), WDR (130dB)
- Simple focus (Motorized V/F), P-Iris, DIS, Defog
- Multi-crop streaming
- micro SD/SDHC/SDXC memory slot (4GB included)
- IR LED (20ea), IP66, IK10, Bi-directional audio support

## Dimensions

Unit : mm (inch)



SNO-5084RN/P	
<b>VIDEO</b>	
Imaging Device	1/3" 1.37M CMOS (IMX238)
Total Pixels	1,312(H) x 1,069(V)
Effective Pixels	1,305(H) x 1,049(V)
Scanning System	Progressive
Min. Illumination	Color : 0.05Lux (1/30sec, F1.2, 50IRE), 0.0008Lux (2sec, 50IRE), 0.005Lux (1/30sec, F1.2, 30IRE)
S / N Ratio	50dB
Video Output	CVBS : 1.0Vpp / 75Ω composite, 704 x 480(N), 704 x 576(P), for installation DIP connector type
<b>LENS</b>	
Focal Length (Zoom Ratio)	3 ~ 8.5mm (2.8x) motorized varifocal
Max. Aperture Ratio	F1.2
Angular Field of View	H : 93.4°(Wide) ~ 33.1°(Tele) / V : 73.8°(Wide) ~ 26.5°(Tele)
Min. Object Distance	0.5m (1.64ft)
Focus Control	Simple focus (Motorized V/F) / Manual - Remote control via network (Manual, Simple focus)
Lens / Mount Type	DC auto iris, P-Iris / Board-in type
<b>OPERATIONAL</b>	
IR LED / Viewable Length	20ea / 30m (98.43ft)
Camera Tilt	Off / On (Displayed up to 40 characters)
Day & Night	Auto (ICR) / Color / B/W / External / Schedule
Backlight Compensation	Off / BLC / WDR
Wide Dynamic Range	130dB
Contrast Enhancement	SSDR (Samsung Super Dynamic Range) (Off / On)
Digital Noise Reduction	SSNR III (2D+3D noise filter) (Off / On)
Digital Image Stabilization	Off / On
Defog	Off / Auto / Manual
Motion Detection	Off / On (4 zones with 4-sided polygon)
Privacy Masking	Off / On (32 zones with 4-sided polygon)
Gain Control	Off / Low / Middle / High
White Balance	ATW / AWC / Manual / Indoor / Outdoor
Electronic Shutter Speed	Minimum / Maximum / Anti flicker
Flip / Mirror	Off / On
Intelligent Video Analytics	Tampering, Virtual line, Enter / Exit, (Dis)Appear, Audio detection, Face detection with metadata
Alarm I/O	Input 1ea / Output 1ea
Alarm Triggers	Motion detection, Tampering, Audio detection, Face detection, Video analytics, Network disconnection, Alarm input
Alarm Events	File upload via FTP and E-mail, Notification via E-mail, Local storage (SD/SDHC/SDXC) recording at Event, External output
<b>NETWORK</b>	
Ethernet	RJ-45 (10/100BASE-T)
Video Compression Format	H.264 (MPEG-4 part 10/AVC), MJPEG
Resolution	1280 x 1024, 1280 x 720P (HD), 1024 x 768, 800 x 600, 640 x 480, 320 x 240
Max. Framerate	H.264 : Max. 60fps at all resolutions MJPEG : 1280 x 1024, 1280 x 720, 1024 x 768 : Max. 15fps 800 x 600, 640 x 480, 320 x 240 : Max. 30fps
Video Quality Adjustment	H.264 : Compression level, Target bitrate level control, MJPEG : Quality level control
Bitrate Control Method	H.264 : CBR or VBR, MJPEG : VBR
Streaming Capability	Multiple streaming (Up to 10 profiles)
Audio In	Selectable (Mic in / Line in)
Supply voltage : 2.5V DC (4mA), Input impedance : approx. 2K Ohm	
Audio Out	Line out (3.5mm stereo mini jack), Max output level : 1 Vrms
Audio Compression Format	G.711 u-law/G.726 selectable, G.726 (ADPCM) 8KHz, G.711 8KHz G.726 : 16Kbps, 24Kbps, 32Kbps, 40Kbps
Audio Communication	Bi-directional audio
IP	IPv4, IPv6
Protocol	TCP/IP, UDP/IP, RTP(UDP), RTP(TCP), RTCP, RTSP, NTP, HTTP, HTTPS, SSL, DHCP, PPPoE, FTP, SMTP, ICMP, IGMP, SNMPv1/v2c/v3(MIB-2), ARP, DNS, DDNS, QoS, PIM-SM, UPnP, Bonjour
Security	HTTPS(SSL) login authentication, Digest login authentication IP address filtering, User access log, 802.1x authentication
Streaming Method	Unicast / Multicast
Max. User Access	15 users at unicast mode
Edge Storage	micro SD/SDHC/SDXC (4GB included)
Motion images recorded in the SDXC/SDHC/SD memory card can be downloaded	
Application Programming Interface	ONVIF profile S, SUNAPI (HTTP API), SVNP 1.2
Webpage Language	English, French, German, Spanish, Italian, Chinese, Korean, Russian, Japanese, Swedish, Danish, Portuguese, Turkish, Polish, Czech, Rumanian, Serbian, Dutch, Croatian, Hungarian, Greek, Finnish, Norwegian
Supported OS : Windows XP / VISTA / 7 / 8, MAC OS X 10.7	
Supported Browser : Microsoft Internet Explorer (Ver. 8 ~ 10), Mozilla Firefox (Ver. 9 ~ 19), Google Chrome (Ver. 15 ~ 25), Apple Safari (Ver. 6.0.2(Mac OS X 10.8, 10.7 only), 5.1.7)	
* Mac OS X only	
Web Viewer	
Central Management Software	SmartViewer, SSM
<b>ENVIRONMENTAL</b>	
Operating Temperature / Humidity	-30°C ~ +55°C (-22°F ~ +131°F) / Less than 90% RH
Storage Temperature / Humidity	-30°C ~ +60°C (-22°F ~ +140°F) / Less than 90% RH
Ingress Protection	IP66
Vandal Resistance	IK10
<b>ELECTRICAL</b>	
Input Voltage / Current	12V DC, 24V AC, PoE (IEEE802.3af)
Power Consumption	Max 10W / 11.5W (12V DC - Heater off / on), Max 11.5W / 12.95W (PoE - Heater off / on)
<b>MECHANICAL</b>	
Color / Material	Dark gray / Aluminum
Dimensions (WxHxD)	82.4 x 82.4 x 312.6mm (3.24" x 3.24" x 12.31") (Without sunshield)
Weight	1.17Kg (2.58 lb) (With sunshield)

\* Data recorded on an SD memory card may be lost or damaged by data access during power-off, mechanical shock, memory card detachment, or other operations. Data loss or damage can also occur when a memory card reaches end of life, which varies according to operational conditions. No guarantee is given against damage (including passive damage).

\* The latest product information / specification can be found at [www.samsungsecurity.com](http://www.samsungsecurity.com)

## SNF-7010/7010V/7010VM

3Megapixel Fisheye Camera



SNF-7010

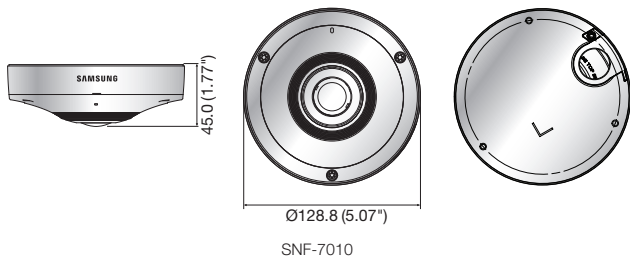
SNF-7010V/7010VM

## Key Features

- Max. 3M (2048 x 1536) resolution
- Various viewing composition
- H.264, MJPEG dual codec, Multiple streaming
- Digital PTZ, Bi-directional audio support
- WDR (120dB), SD/SDHC/SDXC memory slot
- IP66, IK10 and EN50155 certifications (SNF-7010V/7010VM)
- M12 connector (SNF-7010VM)

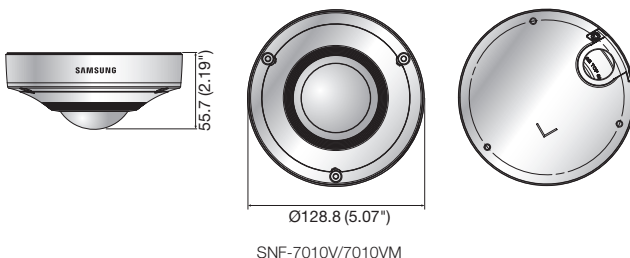
## Dimensions

Unit : mm (inch)



Ø128.8 (5.07")

SNF-7010



Ø128.8 (5.07")

SNF-7010V/7010VM

## Accessories (Optional)



SBP-300TM



SBP-301HM4

## SNF-7010/7010V/7010VM

<b>VIDEO</b>	
Imaging Device	1/2.8" 3M CMOS
Total Pixels	3megapixel
Scanning System	Progressive
Min. Illumination	1.3Lux
<b>LENS</b>	
Focal length	1.05mm fixed
Max. Aperture Ratio	F2.8
Angular Field of View	H : 170° / V : 180° / D : 178°
Min. Object Distance	0.3m (0.98ft)
Lens Type	Fixed focal
Mount Type	Board-in type
Lens Angle Adjustment	Rotation : 0° ~ 355°
<b>OPERATIONAL</b>	
Camera Title	Off / On (Displayed up to 45 characters)
Day & Night	Auto (Electrical) / Color / B/W / Schedule
Backlight Compensation	Off / BLC
Wide Dynamic Range	120dB
Contrast Enhancement	SSDR (Samsung Super Dynamic Range) (Off / On)
Digital Noise Reduction	SSNR III (2D+3D noise filter) (Off / On)
Motion Detection	Off / On (4ea, 4 point polygonal)
Privacy Masking	Off / On (32-4 point polygonal)
Gain Control	Off / Low / Middle / High
White Balance	ATW / AWC / Manual / Indoor / Outdoor
Electronic Shutter Speed	Minimum / Maximum / Anti flicker / 50Hz / 60Hz (2 ~ 1/12,000sec)
Intelligent Video Analytics	Tampering
Alarm Triggers	Motion detection, Tampering, Audio detection, Network disconnection
<b>NETWORK</b>	
Ethernet	RJ-45 (10/100BASE-T) : SNF-7010/7010V, M12 (10/100BASE-T) : SNF-7010VM
Video Compression Format	H.264, MJPEG
Max. Framerate (Raw)	3M 20fps
Dewarping	Client
Smart Viewer	
Viewing Composition	Camera : 360° fisheye / Client : Single panorama, Double panorama, Quad, User selectable region, Single rectangle, 1 original, 3 rectangle, 1 panorama + 2 rectangle
Video Quality Adjustment	H.264 : Compression level, Target bitrate level control, MJPEG : Quality level control
Bitrate Control Method	H.264 : CBR or VBR, MJPEG : VBR
Streaming Capability	Multiple streaming (Up to 6 profiles)
Audio I/O	Built-in microphone : SNF-7010, External mic in/out : SNF-7010/7010V/7010VM
Audio Compression Format	G.711 u-law, G.726 (16Kbps, 24Kbps, 32Kbps, 40Kbps)
Audio Communication	Bi-directional
IP	IPv4, IPv6
Protocol	TTCIP/IP, UDP/IP, RTP(UDP), RTP(TCP), RTCP, RTSP, NTP, HTTP, HTTPS, SSL, DHCP, PPPoE, FTP, SMTP, ICMP, IGMP, SNMPv1/v2c/v3(MIB-2), ARP, DNS, DDNS, QoS, UPnP, Bonjour
Security	HTTPS(SSL) login authentication, Digest login authentication IP address filtering, User access log, 802.1x authentication
Encryption	TLS 1.0, SSL VPN, Video data encryption
Max. User Access	15 users at unicast mode
Edge Storage	SD/SDHC/SDXC memory slot
Webpage Language	English, French, German, Spanish, Italian, Chinese, Korean, Russian, Japanese, Swedish, Danish, Portuguese, Turkish, Polish, Czech, Rumanian, Serbian, Dutch, Croatian, Hungarian, Greek, Finnish, Norwegian
Web Viewer	Supported OS : Windows XP / VISTA / 7 / 8 / 8.1, MAC OS X 10.7 Supported Browser : Microsoft Internet Explorer (Ver. 11 ~ 8) Mozilla Firefox (Ver. 19 ~ 9) * Windows only Google Chrome (Ver. 25 ~ 15) * Windows only Apple Safari (Ver. 6.0.2(Mac OS X 10.8, 10.7 only), 5.1.7) * Mac OS X only
Central Management Software	Smart Viewer
<b>ENVIRONMENTAL</b>	
Operating Temperature / Humidity	PoE : -10°C ~ +55°C (+14°F ~ +131°F) / Less than 90% RH : SNF-7010 PoE : -30°C ~ +55°C (-22°F ~ +131°F) / Less than 90% RH *Start up should be done at above -25°C (-13°F) : SNF-7010V/7010VM
Ingress Protection	IP66 : SNF-7010V/7010VM
Vandal Resistance	IK10 : SNF-7010V/7010VM
Railway Certificate	EN50155 : SNF-7010V/7010VM
<b>ELECTRICAL</b>	
Input Voltage / Current	12V DC, PoE (IEEE802.3af class3) : SNF-7010/7010V 12V DC, PoE (Class A type only) : SNF-7010VM
Power Consumption	Max. 7.4W
<b>MECHANICAL</b>	
Color / Material	Ivory / Aluminum (PC) : SNF-7010, Ivory / Aluminum : SNF-7010V/7010VM
Dimensions (WxH)	Ø128.8 x 45.0mm (Ø5.07" x 1.77") : SNF-7010 Ø128.8 x 58.8mm (Ø5.07" x 2.31") : SNF-7010V/7010VM
Weight	480g (1.06 lb) : SNF-7010, 550g (1.21 lb) : SNF-7010V/7010VM

\* Data recorded on an SD memory card may be lost or damaged by data access during power-off, mechanical shock, memory card detachment, or other operations. Data loss or damage can also occur when a memory card reaches end of life, which varies according to operational conditions. No guarantee is given against damage (including passive damage).

\* The latest product information / specification can be found at [www.samsungsecurity.com](http://www.samsungsecurity.com)

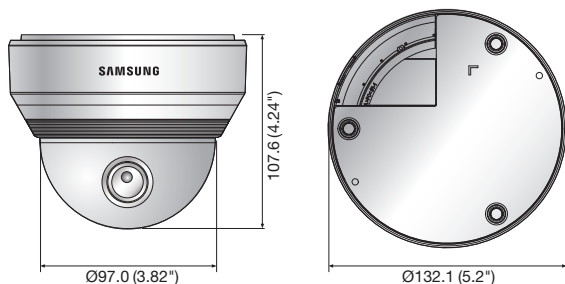


## Key Features

- Max. 3M (2048 x 1536) resolution
- 30fps@2048 x 1536 / 60fps@1920 x 1080
- 3 ~ 8.5mm (2.8x) motorized varifocal lens
- Simple focus (Motorized V/F), P-Iris
- Day & Night (ICR), Enhanced DIS, Defog
- 3M real-time WDR (Max. 120dB)
- Multi-crop streaming
- PoE, micro SD/SDHC/SDXC memory slot
- Bi-directional audio support, Built-in mic.

## Dimensions

Unit : mm (inch)



## Accessories (Optional)



\* Data recorded on an SD memory card may be lost or damaged by data access during power-off, mechanical shock, memory card detachment, or other operations. Data loss or damage can also occur when a memory card reaches end of life, which varies according to operational conditions. No guarantee is given against damage (including passive damage).

## SND-7084N/P

<b>VIDEO</b>	
Imaging Device	1/2.8" 3.2M CMOS
Total Pixels	2,065(H) x 1,565(V)
Effective Pixels	2,065(H) x 1,553(V)
Scanning System	Progressive
Min. Illumination	Color : 0.1Lux (F1.2, 50IRE), 0.06Lux (F1.2, 30IRE), 0.0017Lux (2sec, F1.2, 30IRE) B/W : 0.01Lux (F1.2, 50IRE), 0.006Lux (F1.2, 30IRE), 0.00017Lux (2sec, F1.2, 50IRE)
S / N Ratio	50dB
Video Output	CVBS : 1.0 Vpp / 75Ω composite, 720 x 480(N), 720 x 576(P), for installation DIP connector type
<b>LENS</b>	
Focal Length (Zoom Ratio)	3 ~ 8.5mm (2.8x) motorized varifocal
Max. Aperture Ratio	F1.2
Angular Field of View	H : 100.12°(Wide) ~ 35.38°(Tele) / V : 73.76°(Wide) ~ 26.58°(Tele)
Min. Object Distance	0.5m (1.64ft)
Focus Control	Simple focus (Motorized V/F) / Manual, Remote control via network (Manual, Simple focus)
Lens Type / Mount Type	DC auto iris, P-Iris / Board-in type
<b>PAN / TILT / ROTATE</b>	
Pan / Tilt / Rotate Range	0° ~ 354° / 0° ~ 67° / 0° ~ 355°
<b>OPERATIONAL</b>	
Camera Title	Off / On (Displayed up to 45 characters)
Day & Night	Auto (ICR) / Color / B/W / External / Schedule
Backlight Compensation	Off / BLC / WDR
Wide Dynamic Range	120dB
Contrast Enhancement	SSDR (Samsung Super Dynamic Range) (Off / On)
Digital Noise Reduction	SSNR III (2D+3D noise filter) (Off / On)
Digital Image Stabilization	Off / On
Defog	Off / Auto / Manual
Motion Detection	Off / On (4 zones with 4-sided polygon)
Privacy Masking	Off / On (32 zones with 4-sided polygon)
Gain Control	Off / Low / Middle / High
White Balance	ATW / AWC / Manual / Indoor / Outdoor
Electronic Shutter Speed	Minimum / Maximum / Anti flicker (1 ~ 1/12,000sec)
Flip / Mirror	Off / On
Intelligent Video Analytics	Tampering, Virtual line, Enter / Exit, (Dis)Appear, Audio detection, Face detection with metadata
Alarm I/O	Input 1ea / Output 1ea
Alarm Triggers	Motion detection, Tampering, Audio detection, Face detection, Network disconnection, Video analytics, Alarm input
Alarm Events	File upload via FTP and E-mail, Notification via E-mail, Local storage (SD/SDHC/SDXC) or NAS recording at Event, External output
<b>NETWORK</b>	
Ethernet	RJ-45 (10/100BASE-T)
Video Compression Format	H.264 (MPEG-4 part 10/AVC), MJPEG
Resolution	2048 x 1536, 1920 x 1080, 1600 x 1200, 1280 x 1024, 1280 x 960, 1280 x 720, 1024 x 768, 800 x 600, 800 x 450, 640 x 480, 640 x 360, 320 x 240, 320 x 180
Max. Framerate	H.264 : Max. 30fps@2048 x 1536, 1600 x 1200, Max 60fps@the other resolutions MJPEG : Max. 10fps@2048 x 1536 Max. 15fps@1920 x 1080, 1600 x 1200, 1280 x 1024, 1280 x 960, 1280 x 720, 1024 x 768 Max. 30fps@800 x 600, 800 x 450, 640 x 480, 640 x 360, 320 x 240, 320 x 180
Smart Codec	Manual mode (Area-based : 5ea), Face detection mode
Video Quality Adjustment	H.264 : Compression level, Target bitrate level control, MJPEG : Quality level control
Bitrate Control Method	H.264 : CBR or VBR, MJPEG : VBR
Streaming Capability	Multiple streaming (Up to 10 profiles)
Audio In	Selectable (Mic in / Line in / Built-in mic), Supply voltage : 2.5V DC (4mA), Input impedance : approx. 2K Ohm
Audio Out	Line out (3.5mm mono jack), Max output level : 1 Vrms
Audio Compression Format	G.711 u-law/G.726 selectable, G.726 (ADPCM) 8KHz, G.711 8KHz G.726 : 16Kbps, 24Kbps, 32Kbps, 40Kbps
Audio Communication	Bi-directional audio
IP	IPv4, IPv6
Protocol	TCP/IP, UDP/IP, RTP(UDP), RTP(TCP), RTCP, RTSP, NTP, HTTP, HTTPS, SSL, DHCP, PPPoE, FTP, SMTP, ICMP, IGMP, SNMPv1/v2c/v3(MIB-2), ARP, DNS, DDNS, QoS, PIM-SM, UPnP, Bonjour
Security	HTTPS(SSL) login authentication, Digest login authentication IP address filtering, User access log, 802.1x authentication
Streaming Method	Unicast / Multicast
Max. User Access	15 users at unicast mode
Edge Storage	micro SD/SDHC/SDXC Motion images recorded in the SDXC/SDHC/SD memory card can be downloaded NAS (Network Attached Storage)
Application Programming Interface	ONVIF profile S, HTTP API (SUNAPI) 2.0, SVP 1.2
Webpage Language	English, French, German, Spanish, Italian, Chinese, Korean, Russian, Japanese, Swedish, Danish, Portuguese, Turkish, Polish, Czech, Rumanian, Serbian, Dutch, Croatian, Hungarian, Greek, Norwegian, Finnish
Web Viewer	Supported OS : Windows XP / VISTA / 7 / 8 / 8.1, MAC OS X 10.7 Supported Browser : Microsoft Internet Explorer (Ver. 11 ~ 8) Mozilla Firefox (Ver. 19 ~ 9) * Windows only Google Chrome (Ver. 25 ~ 15) * Windows only Apple Safari (Ver. 6.0.2(Mac OS X 10.8, 10.7 only), 5.1.7) * Mac OS X only
Central Management Software	SmartViewer, SSM
<b>ENVIRONMENTAL</b>	
Operating Temperature / Humidity	-10°C ~ +55°C (+14°F ~ +131°F) / Less than 90% RH
Storage Temperature / Humidity	-30°C ~ +60°C (-22°F ~ +140°F) / Less than 90% RH
<b>ELECTRICAL</b>	
Input Voltage / Current	12V DC, PoE (IEEE802.3af, Class3)
Power Consumption	Max. 9.6W (12V DC), Max. 11.6W (PoE)
<b>MECHANICAL</b>	
Color / Material	Ivory / Plastic
Dimensions (WxH)	Ø132.1 x 107.6mm (Ø5.2" x 4.24")
Weight	605g (1.33 lb)

\* The latest product information / specification can be found at [www.samsungsecurity.com](http://www.samsungsecurity.com)

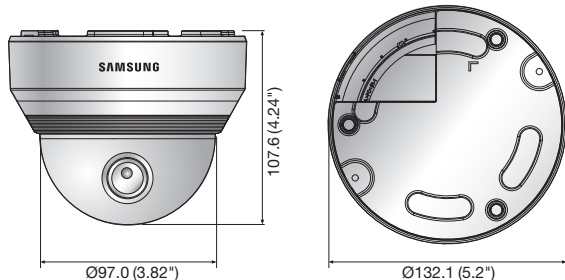


### Key Features

- Max. 2M (1920 x 1080) resolution
- 0.03Lux@F1.2 (Color), 0.002Lux@F1.2 (B/W)
- 3 ~ 8.5mm (2.8x) motorized varifocal lens
- H.264, MJPEG dual codec, Multiple streaming
- WDR (120dB), Simple focus (Motorized V/F), P-Iris, Defog
- Audio / Face / Motion detection
- Multi-crop streaming
- SD/SDHC/SDXC memory slot
- PoE, UPnP, Bi-directional audio support

### Dimensions

Unit : mm (inch)



### Accessories (Optional)



\* Data recorded on an SD memory card may be lost or damaged by data access during power-off, mechanical shock, memory card detachment, or other operations. Data loss or damage can also occur when a memory card reaches end of life, which varies according to operational conditions. No guarantee is given against damage (including passive damage).

SND-6084N/P	
<b>VIDEO</b>	
Imaging Device	1/2.8" 2.38M CMOS
Total Pixels	1,952(H) x 1,116(V)
Effective Pixels	1,944(H) x 1,104(V)
Scanning System	Progressive
Min. Illumination	Color : 0.1Lux (F1.2, 50IRE), 0.001Lux (2sec, 50IRE), 0.03Lux (F1.2, 30IRE) B/W : 0.01Lux (F1.2, 50IRE), 0.002Lux (F1.2, 30IRE)
S / N Ratio	50dB
Video Output	CVBS : 1.0Vpp / 75Ω composite, 720 x 480(N), 720 x 576(P), for installation DIP connector type
<b>LENS</b>	
Focal Length (Zoom Ratio)	3 ~ 8.5mm (2.8x) motorized varifocal
Max. Aperture Ratio	F1.2
Angular Field of View	H : 105.5°(Wide) ~ 37.1°(Tele) / V : 57.5°(Wide) ~ 21.0°(Tele)
Min. Object Distance	0.5m (1.64ft)
Focus Control	Simple focus (Motorized V/F) / Manual Remote control via network, Button control (Manual, Simple focus)
Lens Type	DC auto iris, P-Iris
Mount Type	Board-in type
<b>PAN / TILT / ROTATE</b>	
Pan / Tilt / Rotate Range	0° ~ 354° / 0° ~ 67° / 0° ~ 355°
<b>OPERATIONAL</b>	
Camera Title	Off / On (Displayed up to 45 characters)
Day & Night	Auto (ICR) / Color / B/W / External / Schedule
Backlight Compensation	Off / BLC
Wide Dynamic Range	120dB
Contrast Enhancement	SSDR (Samsung Super Dynamic Range) (Off / On)
Digital Noise Reduction	SSNR III (2D+3D noise filter) (Off / On)
Digital Image Stabilization	Off / On
Defog	Off / Auto / Manual
Motion Detection	Off / On (4ea 4 points polygonal zones)
Privacy Masking	Off / On (32 zones with 4 points of polygonal)
Gain Control	Off / Low / Middle / High
White Balance	ATW / AWC / Manual / Indoor / Outdoor
Electronic Shutter Speed	Minimum / Maximum / Anti flicker (2 ~ 1/12,000sec)
Flip / Mirror	Off / On
Intelligent Video Analytics	Tampering, Virtual line, Enter / Exit, (Dis)Appear, Audio detection, Face detection
Alarm I/O	Input 1ea / Output 1ea
Alarm Triggers	Motion detection, Tampering, Audio detection, Face detection, Video analytics, Alarm input, Network disconnection
Alarm Events	File upload via FTP and E-mail, Notification via E-mail, Local storage (SD/SDHC/SDXC) or NAS recording at Event (Alarm triggers), External output
<b>NETWORK</b>	
Ethernet	RJ-45 (10/100BASE-T)
Video Compression Format	H.264 (MPEG-4 part 10/AVC), MJPEG
Resolution	1920 x 1080, 1280 x 1024, 1280 x 960, 1280 x 720, 1024 x 768, 800 x 600, 800 x 450, 640 x 480, 640 x 360, 320 x 240, 320 x 180
Max. Framerate	H.264 : Max. 60fps at all resolutions MJPEG : 1920 x 1080, 1280 x 1024, 1280 x 960, 1280 x 720, 1024 x 768 : Max. 15fps 800 x 600, 800 x 450, 640 x 480, 640 x 360, 320 x 240, 320 x 180 : Max. 30fps
Video Quality Adjustment	H.264 : Compression level, Target bitrate level control, MJPEG : Quality level control
Bitrate Control Method	H.264 : CBR or VBR, MJPEG : VBR
Streaming Capability	Multiple streaming (Up to 10 profiles)
Audio In	Selectable (Mic in / Line in), Built-in mic. Max output level : 1 Vrms Supply voltage : 2.5V DC (4mA), Input impedance : approx. 2K Ohm
Audio Out	Line out (3.5mm stereo mini jack)
Audio Compression Format	G.711 u-law/G.726 selectable, G.726 (ADPCM) 8KHz, G.711 8KHz G.726 : 16Kbps, 24Kbps, 32Kbps, 40Kbps
Audio Communication	Bi-directional audio
IP	IPv4, IPv6
Protocol	TCP/IP, UDP/IP, RTP(UDP), RTP(TCP), RTCP, RTSP, NTP, HTTP, HTTPS, SSL, DHCP, PPPoE, FTP, SMTP, ICMP, IGMP, SNMPv1/v2c/v3(MIB-2), ARP, DNS, DDNS, QoS, PIM-SM, UPnP, Bonjour
Security	HTTPS(SSL) login authentication, Digest login authentication IP address filtering, User access log, 802.1x authentication
Streaming Method	Unicast / Multicast
Max. User Access	15 users at unicast mode
Edge Storage	SD/SDHC/SDXC - motion Images recorded in the SD/SDHC/SDXC memory card can be downloaded. NAS (Network Attached Storage)
Application Programming Interface	ONVIF profile S & G, HTTP API (SUNAPI) 2.0, SVNP 1.2
Webpage Language	English, French, German, Spanish, Italian, Chinese, Korean, Russian, Japanese, Swedish, Danish, Portuguese, Turkish, Polish, Czech, Rumanian, Serbian, Dutch, Croatian, Hungarian, Greek, Norwegian, Finnish
Web Viewer	Supported OS : Windows XP / VISTA / 7 / 8 / 8.1, MAC OS X 10.7 Supported Browser : Microsoft Internet Explorer (Ver. 11 ~ 8) Mozilla Firefox (Ver. 19 ~ 9) * Windows only Google Chrome (Ver. 25 ~ 15) * Windows only Apple Safari (Ver. 6.0.2)(Mac OS X 10.8, 10.7 only), 5.1.7) * Mac OS X only
Central Management Software	SmartViewer, SSM
<b>ENVIRONMENTAL</b>	
Operating Temperature / Humidity	-10°C ~ +55°C (+14°F ~ +131°F) / Less than 90% RH
Storage Temperature / Humidity	-30°C ~ +60°C (-22°F ~ +140°F) / Less than 90% RH
<b>ELECTRICAL</b>	
Input Voltage / Current	12V DC ±10%, PoE (IEEE802.3af, Class3)
Power Consumption	Max. 8.79W (12V DC), Max. 9.57W (PoE, Class3)
<b>MECHANICAL</b>	
Color / Material	Ivory / Plastic
Dimensions (WxH)	Ø132.1 x 107.6mm (Ø5.2" x 4.24")
Weight	505g (1.11 lb)

\* The latest product information / specification can be found at [www.samsungsecurity.com](http://www.samsungsecurity.com)

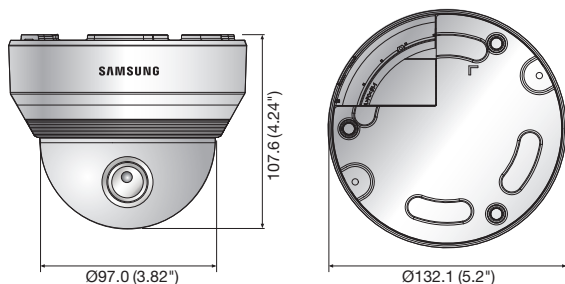


## Key Features

- Max. 2M (1920 x 1080) resolution
- 0.03Lux@F1.2 (Color), 0.03Lux@F1.2 (B/W)
- 3 ~ 8.5mm (2.8x) varifocal lens
- H.264, MJPEG dual codec, Multiple streaming
- WDR (120dB), Defog
- Audio / Face / Motion detection
- Multi-crop streaming
- SD/SDHC/SDXC memory slot
- PoE, UPnP, Bi-directional audio support

## Dimensions

Unit : mm (inch)



## Accessories (Optional)



\* Data recorded on an SD memory card may be lost or damaged by data access during power-off, mechanical shock, memory card detachment, or other operations. Data loss or damage can also occur when a memory card reaches end of life, which varies according to operational conditions. No guarantee is given against damage (including passive damage).

## SND-6083N/P

<b>VIDEO</b>	
Imaging Device	1/2.8" 2.38M CMOS
Total Pixels	1,952(H) x 1,116(V)
Effective Pixels	1,944(H) x 1,104(V)
Scanning System	Progressive
Min. Illumination	Color : 0.1Lux (F1.2, 50IRE), 0.001Lux (2sec, 50IRE), 0.03Lux (F1.2, 30IRE) B/W : 0.1Lux (F1.2, 50IRE), 0.03Lux (F1.2, 30IRE)
S / N Ratio	50dB
Video Output	CVBS : 1.0Vpp / 75Ω composite, 720 x 480(N), 720 x 576(P), for installation DIP connector type
<b>LENS</b>	
Focal Length (Zoom Ratio)	3 ~ 8.5mm (2.8x) varifocal
Max. Aperture Ratio	F1.2
Angular Field of View	H : 106.18°(Wide) ~ 37.1°(Tele) / V : 58.42°(Wide) ~ 20.94°(Tele)
Min. Object Distance	0.5m (1.64ft)
Focus Control	Manual
Lens Type	DC auto iris
Mount Type	Board-in type
<b>PAN / TILT / ROTATE</b>	
Pan / Tilt / Rotate Range	0° ~ 354° / 0° ~ 67° / 0° ~ 355°
<b>OPERATIONAL</b>	
Camera Title	Off / On (Displayed up to 45 characters)
Day & Night	Auto (Electrical) / Color / B/W / External / Schedule
Backlight Compensation	Off / BLC
Wide Dynamic Range	120dB
Contrast Enhancement	SSDR (Samsung Super Dynamic Range) (Off / On)
Digital Noise Reduction	SSNR III (2D+3D noise filter) (Off / On)
Digital Image Stabilization	Off / On
Defog	Off / Auto / Manual
Motion Detection	Off / On (4ea 4 points polygonal zones)
Privacy Masking	Off / On (32 zones with 4 points of polygonal)
Gain Control	Off / Low / Middle / High
White Balance	ATW / AWC / Manual / Indoor / Outdoor
Electronic Shutter Speed	Minimum / Maximum / Anti flicker (2 ~ 1/12,000sec)
Flip / Mirror	Off / On
Intelligent Video Analytics	Tampering, Virtual line, Enter / Exit, (Dis)Appear, Audio detection, Face detection
Alarm I/O	Input 1ea / Output 1ea
Alarm Triggers	Motion detection, Tampering, Audio detection, Face detecton, Video analytics, Alarm input, Network disconnection
Alarm Events	File upload via FTP and E-mail, Notification via E-mail, Local storage (SD/SDHC/SDXC) or NAS recording at Event (Alarm triggers), External output
<b>NETWORK</b>	
Ethernet	RJ-45 (10/100BASE-T)
Video Compression Format	H.264 (MPEG-4 part 10/AVC), MJPEG
Resolution	1920 x 1080, 1280 x 1024, 1280 x 960, 1280 x 720, 1024 x 768, 800 x 600, 800 x 450, 640 x 480, 640 x 360, 320 x 240, 320 x 180
Max. Framerate	H.264 : Max. 60fps at all resolutions MJPEG : 1920 x 1080, 1280 x 1024, 1280 x 960, 1280 x 720, 1024 x 768 : Max. 15fps 800 x 600, 800 x 450, 640 x 480, 640 x 360, 320 x 240, 320 x 180 : Max. 30fps
Video Quality Adjustment	H.264 : Compression level, Target bitrate level control, MJPEG : Quality level control
Bitrate Control Method	H.264 : CBR or VBR, MJPEG : VBR
Streaming Capability	Multiple streaming (Up to 10 profiles)
Audio In	Selectable (Mic in / Line in), Built-in mic. Max output level : 1 Vrms Supply voltage : 2.5V DC (4mA), Input impedance : approx. 2K Ohm
Audio Out	Line out (3.5mm stereo mini jack)
Audio Compression Format	G.711 u-law/G.726 selectable, G.726 (ADPCM) 8KHz, G.711 8KHz G.726 : 16Kbps, 24Kbps, 32Kbps, 40Kbps
Audio Communication	Bi-directional audio
IP	IPv4, IPv6
Protocol	TCP/IP, UDP/IP, RTP(UDP), RTP(TCP), RTCP,RTSP, NTP, HTTP, HTTPS, SSL, DHCP, PPPoE, FTP, SMTP, IGMP, IGMP, SNMPv1/v2c/v3(MIB-2), ARP, DNS, DDNS, QoS, PIM-SM, UPnP, Bonjour
Security	HTTPS(SSL) login authentication, Digest login authentication IP address filtering, User access log, 802.1x authentication
Streaming Method	Unicast / Multicast
Max. User Access	15 users at unicast mode
Edge Storage	SD/SDHC/SDXC - motion Images recorded in the SD/SDHC/SDXC memory card can be downloaded. NAS (Network Attached Storage)
Application Programming Interface	ONVIF profile S & G, HTTP API (SUNAPI) 2.0, S/NP 1.2
Webpage Language	English, French, German, Spanish, Italian, Chinese, Korean, Russian, Japanese, Swedish, Danish, Portuguese, Turkish, Polish, Czech, Rumanian, Serbian, Dutch, Croatian, Hungarian, Greek, Norwegian, Finnish
Web Viewer	Supported OS : Windows XP / VISTA / 7 / 8 / 8.1, MAC OS X 10.7 Supported Browser : Microsoft Internet Explorer (Ver. 11 ~ 8) Mozilla Firefox (Ver. 19 ~ 9) *Windows only Google Chrome (Ver. 25 ~ 15) *Windows only Apple Safari (Ver. 6.0.2(Mac OS X 10.8, 10.7 only), 5.1.7) * Mac OS X only
Central Management Software	SmartViewer, SSM
<b>ENVIRONMENTAL</b>	
Operating Temperature / Humidity	-10°C ~ +55°C (+14°F ~ +131°F) / Less than 90% RH
Storage Temperature / Humidity	-30°C ~ +60°C (-22°F ~ +140°F) / Less than 90% RH
<b>ELECTRICAL</b>	
Input Voltage / Current	12V DC ±10%, PoE (IEEE802.3af, Class3)
Power Consumption	Max. 8.09W (12V DC), Max. 8.94W (PoE, Class3)
<b>MECHANICAL</b>	
Color / Material	Ivory / Plastic
Dimensions (WxH)	Ø132.1 x 107.6mm (Ø5.2" x 4.24")
Weight	485g (1.07 lb)

\* The latest product information / specification can be found at [www.samsungsecurity.com](http://www.samsungsecurity.com)

# SND-5084/5083

1.3Megapixel HD Network Dome Camera



SND-5084

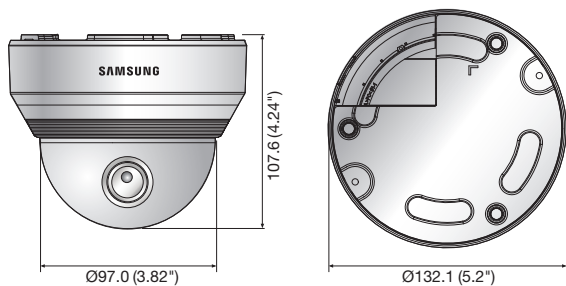
SND-5083

## Key Features

- Max. 1.3M (1280 x 1024) resolution
- 16 : 9 HD (720p) resolution support
- 0.008Lux@F1.2 (Color), 0.002Lux@F1.2 (B/W)
- 3 ~ 8.5mm (2.8x) motorized varifocal lens : SND-5084  
2.8 ~ 10mm (3.6x) varifocal lens : SND-5083
- Day & Night (ICR), WDR (130dB), Defog
- Simple focus (Motorized V/F), P-Iris : SND-5084
- SD/SDHC/SDXC memory slot
- PoE, IK8 (SND-5084), Bi-directional audio support

## Dimensions

Unit : mm (inch)



## Accessories (Optional)



\* Data recorded on an SD memory card may be lost or damaged by data access during power-off, mechanical shock, memory card detachment, or other operations. Data loss or damage can also occur when a memory card reaches end of life, which varies according to operational conditions. No guarantee is given against damage (including passive damage).

	SND-5084N/P	SND-5083N/P
<b>VIDEO</b>		
Imaging Device	1/3" 1.3M CMOS	
Total / Effective Pixels	1,312(H) x 1,069(V) / 1,305(H) x 1,049(V)	
Scanning System	Progressive	
Min. Illumination	Color : 0.05Lux (1/30sec, F1.2, 50IRE), 0.0008Lux (2sec, F1.2, 50IRE) 0.008Lux (1/30sec, F1.2, 30IRE) B/W : 0.005Lux (1/30sec, F1.2, 50IRE), 0.002Lux (1/30sec, F1.2, 30IRE)	
S / N Ratio	50dB	
Video Output	CVBS : 1.0Vpp / 75Ω composite, 720 x 480(N), 720 x 576(P), for installation, DIP connector type	
<b>LENS</b>		
Focal Length (Zoom Ratio)	3 ~ 8.5mm (2.8x) motorized varifocal	2.8 ~ 10mm (3.6x) varifocal
Max. Aperture Ratio	F1.2	
Angular Field of View	H : 93.3°(Wide) ~ 33.2°(Tele) / V : 73.7°(Wide) ~ 26.6°(Tele)	H : 94.6°(Wide) ~ 28.8°(Tele) / V : 68.4°(Wide) ~ 21.6°(Tele)
Min. Object Distance	0.5m (1.64ft)	
Focus Control	Simple focus (Motorized V/F) / Manual Remote control via network, Button control (Manual, Simple focus)	Manual
Lens Type	DC auto iris, P-Iris	
Mount Type	Board-in type	
<b>PAN / TILT / ROTATE</b>		
Pan / Tilt / Rotate Range	0° ~ 354° / 0° ~ 67° / 0° ~ 355°	
<b>OPERATIONAL</b>		
Camera Title	Off / On (Displayed up to 40 characters)	
Day & Night	Auto (ICR) / Color / B/W / External / Schedule	
Backlight Compensation	Off / BLC	
Wide Dynamic Range	130dB	
Contrast Enhancement	SSDR (Samsung Super Dynamic Range) (Off / On)	
CAR (Color Aberration Reduction)	Off / Low / Middle / High	
Digital Noise Reduction	SSNR III (2D+3D noise filter) (Off / On)	
Digital Image Stabilization	Off / On	
Defog	Off / Auto / Manual	
Motion Detection	Off / On (4ea 4 points polygonal zones)	
Privacy Masking	Off / On (32 zones with 4 points of polygonal)	
Gain Control	Off / Low / Middle / High	
White Balance	ATW / AWC / Manual / Indoor / Outdoor	
Electronic Shutter Speed	Minimum / Maximum / Anti flicker (2 ~ 1/12,000sec)	
Flip / Mirror	Off / On	
Intelligent Video Analytics	Tampering, Virtual line, Enter / Exit, (Dis)Appear, Audio detection, Face detection	
Alarm I/O	Input 1ea / Output 1ea	
Alarm Triggers	Motion detection, Tampering, Audio detection, Face detecton, Video analytics, Alarm input, Network disconnection	
Alarm Events	File upload via FTP and E-mail, Notification via E-mail, Local storage (SD/SDHC/SDXC) or NAS recording at Event (Alarm triggers), External output	
<b>NETWORK</b>		
Ethernet	RJ-45 (10/100BASE-T)	
Video Compression Format	H.264 (MPEG-4 part 10/AVC), MJPEG	
Resolution	1280 x 1024, 1280 x 720P (HD), 1024 x 768, 800 x 600, 640 x 480, 320 x 240	
Max. Framerate	H.264 : Max. 60fps at all resolutions, MJPEG : Max. 30fps at all resolutions	
Video Quality Adjustment	H.264 : Compression level, Target bitrate level control, MJPEG : Quality level control	
Bitrate Control Method	H.264 : CBR or VBR, MJPEG : VBR	
Streaming Capability	Multiple streaming (Up to 10 profiles)	
Audio In	Selectable (Mic in / Line in), Max output level : 1 Vrms Supply voltage : 2.5V DC (4mA), Input impedance : approx. 2K Ohm	
Audio Out	Line out (3.5mm stereo mini jack)	
Audio Compression Format	G.711 u-law/G.726 selectable, G.726 (ADPCM) 8KHz, G.711 8KHz G.726 : 16Kbps, 24Kbps, 32Kbps, 40Kbps	
Audio Communication	Bi-directional audio	
IP	IPv4, IPv6	
Protocol	TCP/IP, UDP/IP, RTP(UDP), RTP(TCP), RTCP,RTSP, NTP, HTTP, HTTPS, SSL, DHCP, PPPoE, FTP, SMTP, IGMP, IGMP, SNMPv1/v2c/v3(MIB-2), ARP, DNS, DDNS, QoS, PIM-SM, UPnP, Bonjour	
Security	HTTPS(SSL) login authentication, Digest login authentication IP address filtering, User access log, 802.1x authentication	
Streaming Method	Unicast / Multicast	
Max. User Access	15 users at unicast mode	
Edge Storage	SD/SDHC/SDXC - motion Images recorded in the SD/SDHC/SDXC memory card can be downloaded. NAS (Network Attached Storage)	
Application Programming Interface	ONVIF profile S, HTTP API (SUNAPI) 2.0, S/NP 1.2	
Webpage Language	English, French, German, Spanish, Italian, Chinese, Korean, Russian, Japanese, Swedish, Danish, Portuguese, Turkish, Polish, Czech, Rumanian, Serbian, Dutch, Croatian, Hungarian, Greek, Norwegian, Finnish	
Web Viewer	Supported OS : Windows XP / VISTA / 7 / 8 / 8.1, MAC OS X 10.7 Supported Browser : Microsoft Internet Explorer (Ver. 11 ~ 8) Mozilla Firefox (Ver. 19 ~ 9) * Windows only Google Chrome (Ver. 25 ~ 15) * Windows only Apple Safari (Ver. 6.0.2(Mac OS X 10.8, 10.7 only), 5.1.7) * Mac OS X only	
Central Management Software	SmartViewer	
<b>ENVIRONMENTAL</b>		
Operating Temperature / Humidity	-10°C ~ +55°C (+14°F ~ +131°F) / Less than 90% RH	
Storage Temperature / Humidity	-30°C ~ +60°C (-22°F ~ +140°F) / Less than 90% RH	
<b>ELECTRICAL</b>		
Input Voltage / Current	12V DC, PoE (IEEE802.3af, Class3)	
Power Consumption	Max. 9W (12V DC), Max. 11W (PoE, Class3)	
<b>MECHANICAL</b>		
Color / Material	Ivory / Plastic	
Dimensions (WxH)	Ø132.1 x 107.6mm (Ø5.2" x 4.24")	
Weight	525g (1.16 lb)	

\* The latest product information / specification can be found at [www.samsungsecurity.com](http://www.samsungsecurity.com)



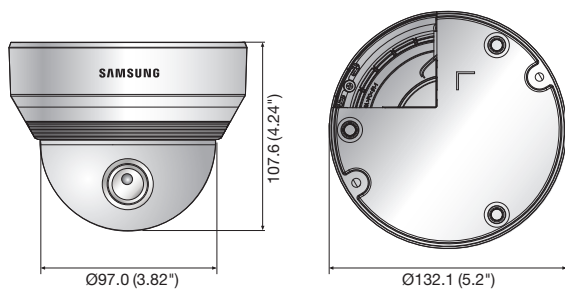


## Key Features

- Max. 3M (2048 x 1536) resolution
- 30fps@2048 x 1536 / 60fps@1920 x 1080
- 3 ~ 8.5mm (2.8x) motorized varifocal lens
- Simple focus (Motorized V/F), P-Iris
- Day & Night (ICR), Enhanced DIS, Defog
- 3M real-time WDR (Max. 120dB)
- Multi-crop streaming
- micro SD/SDHC/SDXC memory slot
- IR LED (12ea), PoE, IK8, Bi-directional audio support

## Dimensions

Unit : mm (inch)



## Accessories (Optional)



\* Data recorded on an SD memory card may be lost or damaged by data access during power-off, mechanical shock, memory card detachment, or other operations. Data loss or damage can also occur when a memory card reaches end of life, which varies according to operational conditions. No guarantee is given against damage (including passive damage).

## SND-7084RN/P

<b>VIDEO</b>	
Imaging Device	1/2.8" 3.2M CMOS
Total Pixels	2,065(H) x 1,565(V)
Effective Pixels	2,065(H) x 1,553(V)
Scanning System	Progressive
Min. Illumination	Color : 0.1Lux (F1.2, 50IRE), 0.06Lux (F1.2, 30IRE), 0.0017Lux (2sec, F1.2, 30IRE) B/W : 0Lux (F1.2, 50IRE), 0Lux (F1.2, 30IRE), 0Lux (2sec, F1.2, 50IRE)
S / N Ratio	50dB
Video Output	CVBS : 1.0Vpp / 75Ω composite, 720 x 480(N), 720 x 576(P), for installation DIP connector type
<b>LENS</b>	
Focal Length (Zoom Ratio)	3 ~ 8.5mm (2.8x) motorized varifocal
Max. Aperture Ratio	F1.2
Angular Field of View	H : 100.12°(Wide) ~ 35.38°(Tele) / V : 73.76°(Wide) ~ 26.58°(Tele)
Min. Object Distance	0.5m (1.64ft)
Focus Control	Simple focus (Motorized V/F) / Manual, Remote control via network (Manual, Simple focus)
Lens Type / Mount Type	DC auto iris, P-Iris / Board-in type
<b>PAN / TILT / ROTATE</b>	
Pan / Tilt / Rotate Range	0° ~ 354° / 0° ~ 67° / 0° ~ 355°
<b>OPERATIONAL</b>	
IR LED	12ea
Viewable Length	25m (82.02ft)
Camera Title	Off / On (Displayed up to 45 characters)
Day & Night	Auto (ICR) / Color / B/W / External / Schedule
Backlight Compensation	Off / BLC / WDR
Wide Dynamic Range	120dB
Contrast Enhancement	SSDR (Samsung Super Dynamic Range) (Off / On)
Digital Noise Reduction	SSNR III (2D+3D noise filter) (Off / On)
Digital Image Stabilization	Off / On
Defog	Off / Auto / Manual
Motion Detection	Off / On (4 zones with 4-sided polygon)
Privacy Masking	Off / On (32 zones with 4-sided polygon)
Gain Control	Off / Low / Middle / High
White Balance	ATW / AWC / Manual / Indoor / Outdoor
Electronic Shutter Speed	Minimum / Maximum / Anti flicker (1 ~ 1/12,000sec)
Flip / Mirror	Off / On
Intelligent Video Analytics	Tampering, Virtual line, Enter / Exit, (Dis)Appear, Audio detection, Face detection with metadata
Alarm I/O	Input 1ea / Output 1ea
Alarm Triggers	Motion detection, Tampering, Audio detection, Face detection, Network disconnection, Video analytics, Alarm input
Alarm Events	File upload via FTP and E-mail, Notification via E-mail, Local storage (SD/SDHC/SDXC) or NAS recording at Event, External output
<b>NETWORK</b>	
Ethernet	RJ-45 (10/100BASE-T)
Video Compression Format	H.264 (MPEG-4 part 10/AVC), MJPEG
Resolution	2048 x 1536, 1920 x 1080, 1600 x 1200, 1280 x 1024, 1280 x 960, 1280 x 720, 1024 x 768, 800 x 600, 800 x 450, 640 x 480, 640 x 360, 320 x 240, 320 x 180 H.264 : Max. 30fps@2048 x 1536, 1600 x 1200, Max 60fps@the other resolutions MJPEG : Max. 10fps@2048 x 1536 Max. 15fps@1920 x 1080, 1600 x 1200, 1280 x 1024, 1280 x 960, 1280 x 720, 1024 x 768 Max. 30fps@800 x 600, 800 x 450, 640 x 480, 640 x 360, 320 x 240, 320 x 180
Max. Framerate	
Smart Codec	Manual mode (Area-based : 5ea), Face detection mode
Video Quality Adjustment	H.264 : Compression level, Target bitrate level control, MJPEG : Quality level control
Bitrate Control Method	H.264 : CBR or VBR, MJPEG : VBR
Streaming Capability	Multiple streaming (Up to 10 profiles)
Audio In	Selectable (Mic in / Line in / Built-in mic), Supply voltage : 2.5V DC (4mA), Input impedance : approx. 2K Ohm
Audio Out	Line out (3.5mm mono jack), Max output level : 1Vrms
Audio Compression Format	G.711 u-law/G.726 selectable, G.726 (ADPCM) 8KHz, G.711 8KHz G.726 : 16Kbps, 24Kbps, 32Kbps, 40Kbps
Audio Communication	Bi-directional audio
IP	IPv4, IPv6
Protocol	TCP/IP, UDP/IP, RTP(UDP), RTP(TCP), RTCP, RTSP, NTP, HTTP, HTTPS, SSL, DHCP, PPPoE, FTP, SMTP, ICMP, IGMP, SNMPv1/v2c/v3(MIB-2), ARP, DNS, DDNS, QoS, PIM-SM, UPnP, Bonjour
Security	HTTPS(SSL) login authentication, Digest login authentication IP address filtering, User access log, 802.1x authentication
Streaming Method	Unicast / Multicast
Max. User Access	15 users at unicast mode
Edge Storage	micro SD/SDHC/SDXC - Motion images recorded in the SDXC/SDHC/SD memory card can be downloaded NAS (Network Attached Storage)
Application Programming Interface	ONVIF profile S, HTTP API (SUNAPI) 2.0, SVNP 1.2
Webpage Language	English, French, German, Spanish, Italian, Chinese, Korean, Russian, Japanese, Swedish, Danish, Portuguese, Turkish, Polish, Czech, Rumanian, Serbian, Dutch, Croatian, Hungarian, Greek, Norwegian, Finnish
Web Viewer	Supported OS : Windows XP / VISTA / 7 / 8 / 8.1, MAC OS X 10.7 Supported Browser : Microsoft Internet Explorer (Ver. 11 ~ 8) Mozilla Firefox (Ver. 19 ~ 9) * Windows only Google Chrome (Ver. 25 ~ 15) * Windows only Apple Safari (Ver. 6.0.2(Mac OS X 10.8, 10.7 only), 5.1.7) * Mac OS X only
Central Management Software	SmartViewer, SSM
<b>ENVIRONMENTAL</b>	
Operating Temperature / Humidity	-10°C ~ +55°C (+14°F ~ +131°F) / Less than 90% RH
Storage Temperature / Humidity	-30°C ~ +60°C (-22°F ~ +140°F) / Less than 90% RH
<b>ELECTRICAL</b>	
Input Voltage / Current	12V DC, PoE (IEEE802.3af, Class3)
Power Consumption	Max. 10W (12V DC), Max. 11W (PoE)
<b>MECHANICAL</b>	
Color / Material	Ivory / Aluminum
Dimensions (WxH)	Ø132.1 x 107.6mm (Ø5.2" x 4.24")
Weight	575g (1.27 lb)

\* The latest product information / specification can be found at [www.samsungsecurity.com](http://www.samsungsecurity.com)

# SND-6084R

2Megapixel Full HD Network IR Dome Camera

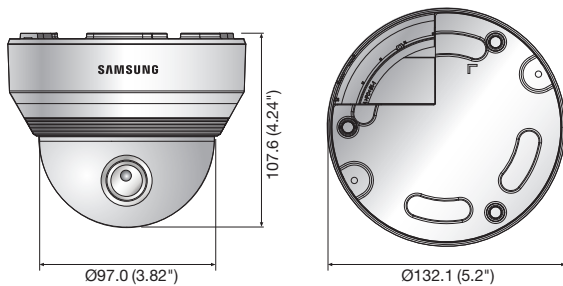


## Key Features

- Max. 2M (1920 x 1080) resolution
- 0.03Lux@F1.2 (Color), 0Lux@F1.2 (B/W : IR LED on)
- 3 ~ 8.5mm (2.8x) motorized varifocal lens
- H.264, MJPEG dual codec, Multiple streaming
- WDR (120dB), Simple focus (Motorized V/F), P-Iris, Defog
- Audio / Face / Motion detection
- Multi-crop streaming, PoE, UPnP
- SD/SDHC/SDXC memory slot
- Bi-directional audio support, IR LED (12ea)

## Dimensions

Unit : mm (inch)



## Accessories (Optional)



\* Data recorded on an SD memory card may be lost or damaged by data access during power-off, mechanical shock, memory card detachment, or other operations. Data loss or damage can also occur when a memory card reaches end of life, which varies according to operational conditions. No guarantee is given against damage (including passive damage).

## SND-6084RN/P

<b>VIDEO</b>	
Imaging Device	1/2.8" 2.38M CMOS (IMX136)
Total Pixels	1,952(H) x 1,116(V)
Effective Pixels	1,944(H) x 1,104(V)
Scanning System	Progressive
Min. Illumination	Color : 0.1Lux (F1.2, 50IRE), 0.0017Lux (2sec, F1.2, 50IRE), 0.03Lux (F1.2, 30IRE) B/W : 0Lux (F1.2, 50IRE, IR LED on), 0Lux (F1.2, 30IRE, IR LED on)
S / N Ratio	50dB
Video Output	CVBS : 1.0 Vpp / 75Ω composite, 704 x 480(N), 704 x 576(P), for installation DIP connector type
<b>LENS</b>	
Focal Length (Zoom Ratio)	3 ~ 8.5mm (2.8x) motorized varifocal
Max. Aperture Ratio	F1.2
Angular Field of View	H : 105.5°(Wide) ~ 37.1°(Tele) / V : 57.5°(Wide) ~ 21.0°(Tele)
Min. Object Distance	0.5m (1.64ft)
Focus Control	Simple focus (Motorized V/F) / Manual, Remote control via network (Manual, Simple focus)
Lens Type	DC auto iris, P-Iris
Mount Type	Board-in type
<b>PAN / TILT / ROTATE</b>	
Pan / Tilt / Rotate Range	0° ~ 354° / 0° ~ 67° / 0° ~ 355°
<b>OPERATIONAL</b>	
IR LED	12ea
Viewable Length	15m (49.21ft)
Camera Title	Off / On (Displayed up to 45 characters)
Day & Night	Auto (ICR) / Color / B/W / External / Schedule
Backlight Compensation	Off / BLC
Wide Dynamic Range	120dB
Contrast Enhancement	SSDR (Samsung Super Dynamic Range) (Off / On)
Digital Noise Reduction	SSNRIII (2D+3D noise filter) (Off / On)
Digital Image Stabilization	Off / On
Defog	Off / Auto / Manual
Motion Detection	Off / On (4ea 4 points polygonal zones)
Privacy Masking	Off / On (32 zones with 4 points of polygonal)
Gain Control	Off / Low / Middle / High
White Balance	ATW / AWC / Manual / Indoor / Outdoor
Electronic Shutter Speed	Minimum / Maximum / Anti flicker
Flip / Mirror	Off / On
Intelligent Video Analytics	Tampering, Virtual line, Enter / Exit, (Dis)Appear, Audio detection, Face detection
Alarm I/O	Input 1ea / Output 1ea
Alarm Triggers	Motion detection, Tampering, Audio detection, Face detection, Video analytics, Network disconnection, Alarm input, Network disconnection
Alarm Events	File upload via FTP and E-mail, Notification via E-mail, Local storage (SD/SDHC/SDXC) or NAS recording at Event (Alarm triggers), External output
<b>NETWORK</b>	
Ethernet	RJ-45 (10/100BASE-T)
Video Compression Format	H.264 (MPEG-4 part 10/AVC), MJPEG
Resolution	1920 x 1080, 1280 x 1024, 1280 x 960, 1280 x 720, 1024 x 768, 800 x 600, 800 x 450, 640 x 480, 640 x 360, 320 x 240, 320 x 180
Max. Framerate	H.264 : Max. 60fps at all resolutions MJPEG : 1920 x 1080, 1280 x 1024, 1280 x 960, 1280 x 720, 1024 x 768 : Max. 15fps 800 x 600, 800 x 450, 640 x 480, 640 x 360, 320 x 240, 320 x 180 : Max. 30fps
Video Quality Adjustment	H.264 : Compression level, Target bitrate level control, MJPEG : Quality level control
Bitrate Control Method	H.264 : CBR or VBR, MJPEG : VBR
Streaming Capability	Multiple streaming (Up to 10 profiles)
Audio In	Selectable (Mic in / Line in), Max output level : 1 Vrms Supply voltage : 2.5V DC (4mA), Input impedance : approx. 2K Ohm
Audio Out	Line out (3.5mm stereo mini jack)
Audio Compression Format	G.711 u-law/G.726 selectable, G.726 (ADPCM) 8KHz, G.711 8KHz G.726 : 16Kbps, 24Kbps, 32Kbps, 40Kbps
Audio Communication	Bi-directional audio
IP	IPv4, IPv6
Protocol	TCP/IP, UDP/IP, RTP(UDP), RTP(TCP), RTCP,RTSP, NTP, HTTP, HTTPS, SSL, DHCP, PPPoE, FTP, SMTP, ICMP, IGMP, SNMPv1/v2c/v3(MIB-2), ARP, DNS, DDNS, QoS, PIM-SM, UPnP, Bonjour
Security	HTTPS(SSL) login authentication, Digest login authentication IP address filtering, User access log, 802.1x authentication
Streaming Method	Unicast / Multicast
Max. User Access	15 users at unicast mode
Edge Storage	SD/SDHC/SDXC - motion Images recorded in the SD/SDHC/SDXC memory card can be downloaded. NAS (Network Attached Storage)
Application Programming Interface	ONVIF profile S & G, HTTP API (SUNAPI) 2.0, SVNP 1.2
Webpage Language	English, French, German, Spanish, Italian, Chinese, Korean, Russian, Japanese, Swedish, Danish, Portuguese, Turkish, Polish, Czech, Rumanian, Serbian, Dutch, Croatian, Hungarian, Greek, Norwegian, Finnish
Web Viewer	Supported OS : Windows XP / VISTA / 7 / 8 / 8.1, MAC OS X 10.7 Supported Browser : Microsoft Internet Explorer (Ver. 11 ~ 8) Mozilla Firefox (Ver. 19 ~ 9) * Windows only Google Chrome (Ver. 25 ~ 15) * Windows only Apple Safari (Ver. 6.0.2(Mac OS X 10.8, 10.7 only), 5.1.7) * Mac OS X only SmartViewer
<b>Central Management Software</b>	
<b>ENVIRONMENTAL</b>	
Operating Temperature / Humidity	-10°C ~ +55°C (+14°F ~ +131°F) / Less than 90% RH
Storage Temperature / Humidity	-30°C ~ +60°C (-22°F ~ +140°F) / Less than 90% RH
<b>ELECTRICAL</b>	
Input Voltage / Current	12V DC ±10%, PoE (IEEE802.3af)
Power Consumption	Max. 9W
<b>MECHANICAL</b>	
Color / Material	Ivory / Polycarbonate (PC)
Dimensions (WxH)	Ø132.1 x 107.6mm (Ø5.2" x 4.24")
Weight	525g (1.16 lb)

\* The latest product information / specification can be found at [www.samsungsecurity.com](http://www.samsungsecurity.com)

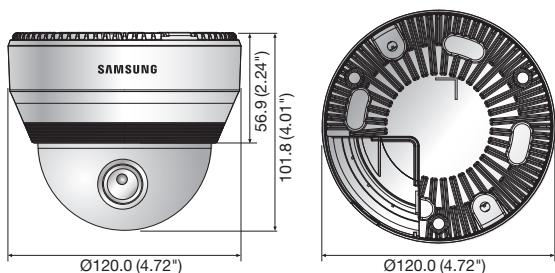


## Key Features

- Max. 2M (1920 x 1080) resolution
- 3.8mm fixed lens
- H.264, MJPEG dual codec, Multiple streaming
- Day & Night (ICR), WDR (120dB)
- Enhanced DIS, Defog
- micro SD/SDHC/SDXC memory slot
- Multi-crop streaming, PoE, IR LED (LED 10ea)

## Dimensions

Unit : mm (inch)



## Accessories (Optional)



SBP-301HM4 SBP-300LM SBP-300CM SBP-300WM1 SBP-300WM SBP-300B SBP-300PM SBP-300KM

## SND-6011RN/P

<b>VIDEO</b>	
Imaging Device	1/2.8" 2.38M CMOS (IMX136)
Total Pixels	1,952(H) x 1,236(V)
Effective Pixels	1,944(H) x 1,224(V)
Scanning System	Progressive
Min. Illumination	Color : 0.3Lux (F2.0, 50IRE), 0.03Lux (2sec, 50IRE), 0.08Lux (F2.0, 30IRE) B/W : 0Lux (IR LED on), 0Lux (F2.0, 30IRE, IR LED on)
S / N Ratio	50dB
Video Output	CVBS : 1.0Vpp / 75Ω composite, 704 x 480(N), 704 x 576(P)
<b>LENS</b>	
Focal Length (Zoom Ratio)	3.8mm fixed
Max. Aperture Ratio	F2.0
Angular Field of View	H : 84.5° / V : 45.8° / D : 98.8°
Min. Object Distance	0.5m (1.64ft)
Focus Control	Manual
Mount Type	Board-in type
<b>PAN / TILT / ROTATE</b>	
Pan / Tilt / Rotate Range	0° ~ 354° / 0° ~ 67° / 0° ~ 355°
<b>OPERATIONAL</b>	
IR LED	10ea
Viewable Length	10m (32.81ft)
Camera Title	Off / On (Displayed up to 45 characters)
Day & Night	Auto (ICR) / Color / B/W
Backlight Compensation	Off / BLC
Wide Dynamic Range	WDR 15fps 120dB
Contrast Enhancement	SSDR (Samsung Super Dynamic Range) (Off / On)
CAR (Color Aberration Reduction)	Off / Low / Middle / High
Digital Noise Reduction	SSNR3 (2D+3D noise filter) (Off / On)
Digital Image Stabilization	Off / On
Defog	Off / Auto / Manual
Motion Detection	Off / On (4ea 4 points polygonal zones)
Privacy Masking	Off / On (32ea polygonal zones)
Gain Control	Off / Low / Middle / High
White Balance	ATW / AWC / Manual / Indoor / Outdoor
Electronic Shutter Speed	Auto / A.FLK / Manual (1/30 ~ 12,000sec)
Flip / Mirror	Off / On
Intelligent Video Analytics	Tampering, Virtual line, Enter / Exit, (Dis)Appear, Face detection with metadata
Alarm I/O	Input 1ea
Alarm Triggers	Motion detection, Tampering, Face detection, Video analytics, Alarm input
Alarm Events	File upload via FTP and E-mail, Notification via E-mail, Local storage (SD/SDHC/SDXC) or NAS recording at Event (Alarm triggers), External output
<b>NETWORK</b>	
Ethernet	RJ-45 (10/100BASE-T)
Video Compression Format	H.264 (MPEG-4 part 10/AVC), MJPEG
Resolution	1920 x 1080, 1600 x 1200, 1280 x 1024, 1280 x 960, 1280 x 720, 1024 x 768, 800 x 600, 800 x 450, 640 x 480, 320 x 240, 320 x 180
Max. Framerate	H.264 : Max. 30fps at all resolutions MJPEG : 1920 x 1080, 1600 x 1200, 1280 x 1024, 1280 x 960, 1280 x 720, 1024 x 768 : Max. 15fps 800 x 600, 800 x 450, 640 x 480, 640 x 360, 320 x 240, 320 x 180 : Max. 30fps
Video Quality Adjustment	H.264 : Compression level, Target bitrate level control, MJPEG : Quality level control
Bitrate Control Method	H.264 : CBR or VBR, MJPEG : VBR
Streaming Capability	Multiple streaming (Up to 10 profiles)
IP	IPv4, IPv6
Protocol	TCP/IP, UDP/IP, RTP(UDP), RTP(TCP), RTCP, RTSP, NTP, HTTP, HTTPS, SSL, DHCP, PPPoE, FTP, SMTP, ICMP, IGMP, SNMPv1/v2c/v3(MIB-2), ARP, DNS, DDNS, QoS, PIM-SM, UPnP, Bonjour
Security	HTTPS(SSL) login authentication, Digest login authentication IP address filtering, User access log, 802.1x authentication
Streaming Method	Unicast / Multicast
Max. User Access	15 users at unicast mode
Edge Storage	micro SD/SDHC/SDXC Motion images recorded in the SDXC/SDHC/SD memory card can be downloaded
Application Programming Interface	ONVIF profile S, HTTP API (SUNAPI) 2.0, S/NP 1.2
Webpage Language	English, French, German, Spanish, Italian, Chinese, Korean, Russian, Japanese, Swedish, Danish, Portuguese, Turkish, Polish, Czech, Rumanian, Serbian, Dutch, Croatian, Hungarian, Greek, Norwegian, Finnish, Norwegian
Web Viewer	Supported OS : Windows XP / VISTA / 7 / 8 / 8.1, MAC OS X 10.7 Supported Browser : Microsoft Internet Explorer (Ver. 11 ~ 8) Mozilla Firefox (Ver. 19 ~ 9) * Windows only Google Chrome (Ver. 25 ~ 15) * Windows only Apple Safari (Ver. 6.0.2(Mac OS X 10.8, 10.7 only), 5.1.7) * Mac OS X only
Central Management Software	SmartViewer
<b>ENVIRONMENTAL</b>	
Operating Temperature / Humidity	-10°C ~ +55°C (+14°F ~ +131°F) / Less than 90% RH
Storage Temperature / Humidity	-30°C ~ +60°C (-22°F ~ +140°F) / Less than 90% RH
<b>ELECTRICAL</b>	
Input Voltage / Current	PoE (IEEE802.3af, Class3)
Power Consumption	Max. 6.6W
<b>MECHANICAL</b>	
Color / Material	Ivory / Plastic
Dimensions (WxH)	Ø120.0 x 101.8mm (Ø4.72" x 4.01")
Weight	395g (0.87 lb)

\* Data recorded on an SD memory card may be lost or damaged by data access during power-off, mechanical shock, memory card detachment, or other operations. Data loss or damage can also occur when a memory card reaches end of life, which varies according to operational conditions. No guarantee is given against damage (including passive damage).

\* The latest product information / specification can be found at [www.samsungsecurity.com](http://www.samsungsecurity.com)

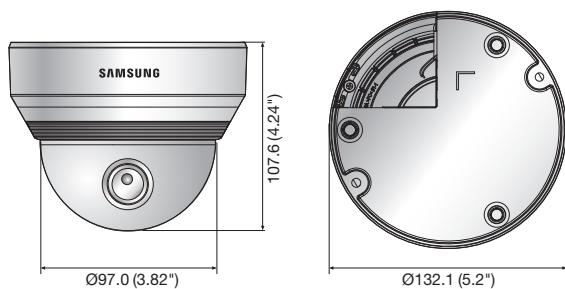


### Key Features

- Max. 1.3M (1280 x 1024) resolution
- 60fps@all resolutions
- 0.005Lux@F1.2 (Color), 0Lux@F1.2 (B/W : IR LED on)
- 3 ~ 8.5mm (2.8x) motorized varifocal lens
- H.264, MJPEG dual codec, Multiple streaming
- Day & Night (ICR), WDR (130dB)
- Simple focus (Motorized V/F), P-Iris, DIS, Defog
- Multi-crop streaming
- micro SD/SDHC/SDXC memory slot
- IR LED (12ea), PoE, Bi-directional audio support

### Dimensions

Unit : mm (inch)



### Accessories (Optional)



\* Data recorded on an SD memory card may be lost or damaged by data access during power-off, mechanical shock, memory card detachment, or other operations. Data loss or damage can also occur when a memory card reaches end of life, which varies according to operational conditions. No guarantee is given against damage (including passive damage).

### SND-5084RN/P

<b>VIDEO</b>	
Imaging Device	1/3" 1.37M CMOS (IMX238)
Total Pixels	1,312(H) x 1,069(V)
Effective Pixels	1,305(H) x 1,049(V)
Scanning System	Progressive
Min. Illumination	Color : 0.05Lux (1/30sec, F1.2, 50IRE), 0.0008Lux (2sec, 50IRE), 0.005Lux (1/30sec, F1.2, 30IRE)
S / N Ratio	50dB
Video Output	CVBS : 1.0Vpp / 75Ω composite, 704 x 480(N), 704 x 576(P), for installation DIP connector type
<b>LENS</b>	
Focal Length (Zoom Ratio)	3 ~ 8.5mm (2.8x) motorized varifocal
Max. Aperture Ratio	F1.2
Angular Field of View	H : 93.4°(Wide) ~ 33.1°(Tele) / V : 73.8°(Wide) ~ 26.5°(Tele)
Min. Object Distance	0.5m (1.64ft)
Focus Control	Simple focus (Motorized V/F) / Manual - Remote control via network (Manual, Simple focus)
Lens / Mount Type	DC auto iris, P-Iris / Board-in type
<b>PAN / TILT / ROTATE</b>	
Pan / Tilt / Rotate Range	0° ~ 354° / 0° ~ 67° / 0° ~ 355°
<b>OPERATIONAL</b>	
IR LED / Viewable Length	12ea
Viewable Length	30m (98.43ft)
Camera Title	Off / On (Displayed up to 40 characters)
Day & Night	Auto (ICR) / Color / B/W / External / Schedule
Backlight Compensation	Off / BLC / WDR
Wide Dynamic Range	130dB
Contrast Enhancement	SSDR (Samsung Super Dynamic Range) (Off / On)
Digital Noise Reduction	SSNR III (2D+3D noise filter) (Off / On)
Digital Image Stabilization	Off / On
Defog	Off / Auto / Manual
Motion Detection	Off / On (4 zones with 4-sided polygon)
Privacy Masking	Off / On (32 zones with 4-sided polygon)
Gain Control	Off / Low / Middle / High
White Balance	ATW / AWC / Manual / Indoor / Outdoor
Electronic Shutter Speed	Minimum / Maximum / Anti flicker
Flip / Mirror	Off / On
Intelligent Video Analytics	Tampering, Virtual line, Enter / Exit, (Dis)Appear, Audio detection, Face detection
Alarm I/O	Input 1ea / Output 1ea
Alarm Triggers	Motion detection, Tampering, Audio detection, Face detection, Video analytics, Network disconnection, Alarm input
Alarm Events	File upload via FTP and E-mail, Notification via E-mail, TCP Local storage (SD/SDHC/SDXC) recording at Network disconnected & Event (Alarm triggers), External output
<b>NETWORK</b>	
Ethernet	RJ-45 (10/100BASE-T)
Video Compression Format	H.264 (MPEG-4 part 10/AVC), MJPEG
Resolution	1280 x 1024, 1280 x 720P (HD), 1024 x 768, 800 x 600, 640 x 480, 320 x 240
Max. Framerate	H.264 : Max. 60fps at all resolutions MJPEG : 1280 x 1024, 1280 x 720, 1024 x 768 : Max. 15fps 800 x 600, 640 x 480, 320 x 240 : Max. 30fps
Video Quality Adjustment	H.264 : Compression level, Target bitrate level control, MJPEG : Quality level control
Bitrate Control Method	H.264 : CBR or VBR, MJPEG : VBR
Streaming Capability	Multiple streaming (Up to 10 profiles)
Audio In	Selectable (Mic in / Line in / Built in mic) Supply voltage : 2.5V DC (4mA), Input impedance : approx. 2K Ohm
Audio Out	Line out (3.5mm mono jack), Max output level : 1 Vrms
Audio Compression Format	G.711 u-law/G.726 selectable, G.726 (ADPCM) 8KHz, G.711 8KHz G.726 : 16Kbps, 24Kbps, 32Kbps, 40Kbps
Audio Communication	Bi-directional audio
IP	IPv4, IPv6
Protocol	TCP/IP, UDP/IP, RTP(UDP), RTP(TCP), RTCP, RTSP, NTP, HTTP, HTTPS, SSL, DHCP, PPPoE, FTP, SMTP, ICMP, IGMP, SNMPv1/v2c/v3(MIB-2), ARP, DNS, DDNS, QoS, PIM-SM, UPnP, Bonjour
Security	HTTPS(SSL) login authentication, Digest login authentication IP address filtering, User access log, 802.1x authentication
Streaming Method	Unicast / Multicast
Max. User Access	15 users at unicast mode
Edge Storage	micro SD/SDHC/SDXC Motion images recorded in the SDXC/SDHC/SD memory card can be downloaded NAS (Network Attached Storage)
Application Programming Interface	ONVIF profile S, SUNAPI, SVNP 1.2
Webpage Language	English, French, German, Spanish, Italian, Chinese, Korean, Russian, Japanese, Swedish, Danish, Portuguese, Turkish, Polish, Czech, Rumanian, Serbian, Dutch, Croatian, Hungarian, Greek, Finnish, Norwegian
Web Viewer	Supported OS : Windows XP / VISTA / 7 / 8, MAC OS X 10.7 Supported Browser : Microsoft Internet Explorer (Ver. 10, 9, 8), Mozilla Firefox (Ver. 19, 18, 17, 16, 15, 14, 13, 12, 11, 10, 9), Google Chrome (Ver. 25, 24, 23, 22, 21, 20, 19, 18, 17, 16, 15), Apple Safari (Ver. 6.0.2(Mac OS X 10.8, 10.7 only), 5.1.7) * Mac OS X only
Central Management Software	SmartViewer, SSM
<b>ENVIRONMENTAL</b>	
Operating Temperature / Humidity	-10°C ~ +55°C (+14°F ~ +131°F) / Less than 90% RH
Storage Temperature / Humidity	-30°C ~ +60°C (-22°F ~ +140°F) / Less than 90% RH
<b>ELECTRICAL</b>	
Input Voltage / Current	12V DC, PoE (IEEE802.3af)
Power Consumption	Max. 10.5W
<b>MECHANICAL</b>	
Color / Material	Ivory / Aluminum
Dimensions (WxH)	Ø132.1 x 107.6mm (Ø5.2" x 4.24")
Weight	585g (1.29 lb)

\* The latest product information / specification can be found at [www.samsungsecurity.com](http://www.samsungsecurity.com)

# SNV-7084

3Megapixel Vandal-Resistant Network Dome Camera

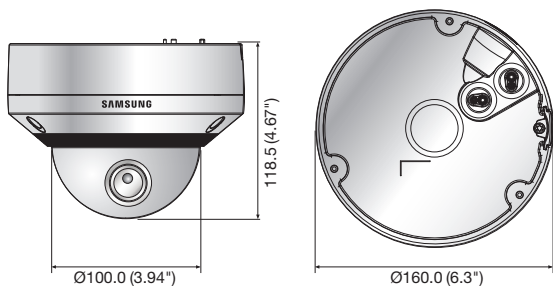


## Key Features

- Max. 3M (2048 x 1536) resolution
- 30fps@2048 x 1536 / 60fps@1920 x 1080
- 3 ~ 8.5mm (2.8x) motorized varifocal lens
- Simple focus (Motorized V/F), P-Iris
- Day & Night (ICR), Enhanced DIS, Defog
- 3M real-time WDR (Max. 120dB)
- Multi-crop streaming, Heater by PoE
- micro SD/SDHC/SDXC memory slot
- IP66, IK10, Bi-directional audio support

## Dimensions

Unit : mm (inch)



## Accessories (Optional)



\* Data recorded on an SD memory card may be lost or damaged by data access during power-off, mechanical shock, memory card detachment, or other operations. Data loss or damage can also occur when a memory card reaches end of life, which varies according to operational conditions. No guarantee is given against damage (including passive damage).

## SNV-7084N/P

<b>VIDEO</b>	
Imaging Device	1/2.8" 3.2M CMOS
Total Pixels	2,065(H) x 1,565(V)
Effective Pixels	2,065(H) x 1,553(V)
Scanning System	Progressive
Min. Illumination	Color : 0.1Lux (F1.2, 50IRE), 0.06Lux (F1.2, 30IRE), 0.0017Lux (2sec, F1.2, 30IRE) B/W : 0.01Lux (F1.2, 50IRE), 0.006Lux (F1.2, 30IRE), 0.00017Lux (2sec, F1.2, 50IRE)
S / N Ratio	50dB
Video Output	CVBS : 1.0Vpp / 75Ω composite, 720 x 480(N), 720 x 576(P), for installation DIP connector type
<b>LENS</b>	
Focal Length (Zoom Ratio)	3 ~ 8.5mm (2.8x) motorized varifocal
Max. Aperture Ratio	F1.2
Angular Field of View	H : 100.12°(Wide) ~ 35.38°(Tele) / V : 73.76°(Wide) ~ 26.58°(Tele)
Min. Object Distance	0.5m (1.64ft)
Focus Control	Simple focus (Motorized V/F) / Manual, Remote control via network (Manual, Simple focus)
Lens Type / Mount Type	DC auto iris, P-Iris / Board-in type
<b>PAN / TILT / ROTATE</b>	
Pan / Tilt / Rotate Range	0° ~ 354° / 0° ~ 67° / 0° ~ 355°
<b>OPERATIONAL</b>	
Camera Title	Off / On (Displayed up to 45 characters)
Day & Night	Auto (ICR) / Color / B/W / External / Schedule
Backlight Compensation	Off / BLC / WDR
Wide Dynamic Range	120dB
Contrast Enhancement	SSDR (Samsung Super Dynamic Range) (Off / On)
Digital Noise Reduction	SSNR III (2D+3D noise filter) (Off / On)
Digital Image Stabilization	Off / On
Defog	Off / Auto / Manual
Motion Detection	Off / On (4 zones with 4-sided polygon)
Privacy Masking	Off / On (32 zones with 4-sided polygon)
Gain Control	Off / Low / Middle / High
White Balance	ATW / AWC / Manual / Indoor / Outdoor
Electronic Shutter Speed	Minimum / Maximum / Anti flicker (1 ~ 1/12,000sec)
Flip / Mirror	Off / On
Intelligent Video Analytics	Tampering, Virtual line, Enter / Exit, (Dis)Appear, Audio detection, Face detection with metadata
Alarm I/O	Input 1ea / Output 1ea
Alarm Triggers	Motion detection, Tampering, Audio detection, Face detection, Network disconnection, Video analytics, Alarm input
Alarm Events	File upload via FTP and E-mail, Notification via E-mail, Local storage (SD/SDHC/SDXC) or NAS recording at Event, External output
<b>NETWORK</b>	
Ethernet	RJ-45 (10/100BASE-T)
Video Compression Format	H.264 (MPEG-4 part 10/AVC), MJPEG
Resolution	2048 x 1536, 1920 x 1080, 1600 x 1200, 1280 x 1024, 1280 x 960, 1280 x 720, 1024 x 768, 800 x 600, 800 x 450, 640 x 480, 640 x 360, 320 x 240, 320 x 180
Max. Framerate	H.264 : Max. 30fps@2048 x 1536, 1600 x 1200, Max 60fps@the other resolutions MJPEG : Max. 10fps@2048 x 1536 Max. 15fps@1920 x 1080, 1600 x 1200, 1280 x 1024, 1280 x 960, 1280 x 720, 1024 x 768 Max. 30fps@800 x 600, 800 x 450, 640 x 480, 640 x 360, 320 x 240, 320 x 180
Smart Codec	Manual mode (Area-based : 5ea), Face detection mode
Video Quality Adjustment	H.264 : Compression level, Target bitrate level control, MJPEG : Quality level control
Bitrate Control Method	H.264 : CBR or VBR, MJPEG : VBR
Streaming Capability	Multiple streaming (Up to 10 profiles)
Audio In	Selectable (Mic in / Line in), Supply voltage : 2.5V DC (4mA), Input impedance : approx. 2K Ohm
Audio Out	Line out (3.5mm mono jack), Max output level : 1Vrms
Audio Compression Format	G.711 u-law/G.726 selectable, G.726 (ADPCM) 8KHz, G.711 8KHz
Audio Communication	G.726 : 16Kbps, 24Kbps, 32Kbps, 40Kbps
Audio Communication	Bi-directional audio
IP	IPv4, IPv6
Protocol	TCP/IP, UDP/IP, RTP(UDP), RTP(TCP), RTCP, RTSP, NTP, HTTP, HTTPS, SSL, DHCP, PPPoE, FTP, SMTP, ICMP, IGMP, SNMPv1/v2c/v3(MIB-2), ARP, DNS, DDNS, QoS, PIM-SM, UPnP, Bonjour
Security	HTTPS(SSL) login authentication, Digest login authentication IP address filtering, User access log, 802.1x authentication
Streaming Method	Unicast / Multicast
Max. User Access	15 users at unicast mode micro SD/SDHC/SDXC
Edge Storage	Motion images recorded in the SDXC/SDHC/SD memory card can be downloaded NAS (Network Attached Storage)
Application Programming Interface	ONVIF profile S, HTTP API (SUNAPI) 2.0, SVNP 1.2
Webpage Language	English, French, German, Spanish, Italian, Chinese, Korean, Russian, Japanese, Swedish, Danish, Portuguese, Turkish, Polish, Czech, Rumanian, Serbian, Dutch, Croatian, Hungarian, Greek, Norwegian, Finnish
Web Viewer	Supported OS : Windows XP / VISTA / 7 / 8 / 8.1, MAC OS X 10.7 Supported Browser : Microsoft Internet Explorer (Ver. 11 ~ 8) Mozilla Firefox (Ver. 19 ~ 9) * Windows only Google Chrome (Ver. 25 ~ 15) * Windows only Apple Safari (Ver. 6.0.2(Mac OS X 10.8, 10.7 only), 5.1.7) * Mac OS X only
SmartViewer, SSM	
<b>ENVIRONMENTAL</b>	
Operating Temperature / Humidity	-40°C ~ +55°C (-40°F ~ +131°F) / Less than 90% RH * Start up should be done at above -35°C (-31°F)
Storage Temperature / Humidity	-30°C ~ +60°C (-22°F ~ +140°F) / Less than 90% RH
Ingress Protection	IP66
Vandal Resistance	IK10
<b>ELECTRICAL</b>	
Input Voltage / Current	24V AC, 12V DC, PoE (IEEE802.3af, Class3)
Power Consumption	Max. 9W / 11.5W (12V DC, Heater off / on), Max. 10W / 12.5W (PoE, Heater off / on) Max. 11W / 13W (24V AC, Heater off / on)
<b>MECHANICAL</b>	
Color / Material	Ivory / Aluminum
Dimensions (WxH)	Ø160.0 x 118.5mm (Ø6.3" x 4.67")
Weight	960g (2.12 lb)

\* The latest product information / specification can be found at [www.samsungsecurity.com](http://www.samsungsecurity.com)

2Megapixel Full HD Vandal-Resistant  
Network Dome Camera

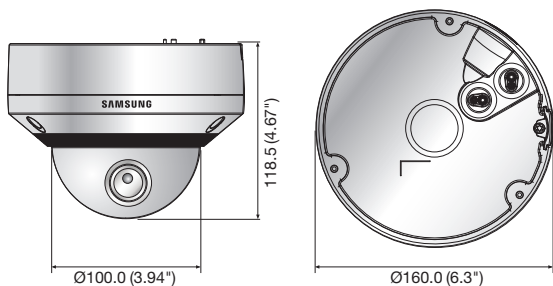


## Key Features

- Max. 2M (1920 x 1080) resolution
- 0.03Lux@F1.2 (Color), 0.002Lux@F1.2 (B/W)
- 3 ~ 8.5mm (2.8x) motorized varifocal lens
- H.264, MJPEG dual codec, Multiple streaming
- Audio / Face / Motion detection
- Day & Night (ICR), WDR (120dB)
- Simple focus (Motorized V/F), P-Iris, Defog
- SD/SDHC/SDXC memory slot
- Multi-crop streaming, PoE, UPnP, IP66, IK10
- Bi-directional audio support

## Dimensions

Unit : mm (inch)



## Accessories (Optional)



\* Data recorded on an SD memory card may be lost or damaged by data access during power-off, mechanical shock, memory card detachment, or other operations. Data loss or damage can also occur when a memory card reaches end of life, which varies according to operational conditions. No guarantee is given against damage (including passive damage).

SNV-6084N/P	
<b>VIDEO</b>	
Imaging Device	1/2.8" 2.38M CMOS (IMX136)
Total Pixels	1,952(H) x 1,116(V)
Effective Pixels	1,944(H) x 1,104(V)
Scanning System	Progressive
Min. Illumination	Color : 0.1Lux (1/30sec, F1.2, 50IRE), 0.0017Lux (2sec, F1.2, 50IRE), 0.03Lux (F1.2, 30IRE) B/W : 0.01Lux (1/30sec, F1.2, 50IRE), 0.002Lux (F1.2, 30IRE)
S / N Ratio	50dB
Video Output	CVBS : 1.0 Vpp / 75Ω composite, 720 x 480(N), 720 x 576(P), for installation DIP connector type
<b>LENS</b>	
Focal Length (Zoom Ratio)	3 ~ 8.5mm (2.8x) motorized varifocal
Max. Aperture Ratio	F1.2
Angular Field of View	H : 105.5°(Wide) ~ 37.1°(Tele) / V : 57.5°(Wide) ~ 21.0°(Tele)
Min. Object Distance	0.5m (1.64ft)
Focus Control	Simple focus (Motorized V/F) / Manual Remote control via network (Manual, Simple focus)
Lens / Mount Type	DC auto iris, P-Iris / Board-in type
<b>PAN / TILT / ROTATE</b>	
Pan / Tilt / Rotate Range	0° ~ 354° / 0° ~ 67° / 0° ~ 355°
<b>OPERATIONAL</b>	
Camera Title	Off / On (Displayed up to 45 characters)
Day & Night	Auto (ICR) / Color / B/W / External / Schedule
Backlight Compensation	Off / BLC
Wide Dynamic Range	120dB
Contrast Enhancement	SSDR (Samsung Super Dynamic Range) (Off / On)
Digital Noise Reduction	SSNR III (2D+3D noise filter) (Off / On)
Digital Image Stabilization	Off / On
Defog	Off / Auto / Manual
Motion Detection	Off / On (4ea 4 points polygonal zones)
Privacy Masking	Off / On (32 zones with 4 points of polygonal)
Gain Control	Off / Low / Middle / High
White Balance	ATW / AWC / Manual / Indoor / Outdoor
Electronic Shutter Speed	Minimum / Maximum / Anti flicker
Flip / Mirror	Off / On
Intelligent Video Analytics	Tampering, Virtual line, Enter / Exit, (Dis)Appear, Audio detection, Face detection
Alarm I/O	Input 1ea / Output 1ea
Alarm Triggers	Motion detection, Tampering, Audio detection, Face detection, Video analytics, Network disconnection, Alarm input
Alarm Events	File upload via FTP and E-mail, Notification via E-mail, Local storage (SD/SDHC/SDXC) or NAS recording at Event (Alarm triggers), External output
<b>NETWORK</b>	
Ethernet	RJ-45 (10/100BASE-T)
Video Compression Format	H.264 (MPEG-4 part 10/AVC), MJPEG
Resolution	1920 x 1080, 1280 x 1024, 1280 x 960, 1280 x 720, 1024 x 768, 800 x 600, 800 x 450, 640 x 480, 640 x 360, 320 x 240, 320 x 180
Max. Framerate	H.264 : Max. 60fps at all resolutions MJPEG : 1920 x 1080, 1280 x 1024, 1280 x 960, 1280 x 720, 1024 x 768 : Max. 15fps 800 x 600, 800 x 450, 640 x 480, 640 x 360, 320 x 240, 320 x 180 : Max. 30fps
Video Quality Adjustment	H.264 : Compression level, Target bitrate level control, MJPEG : Quality level control
Bitrate Control Method	H.264 : CBR or VBR, MJPEG : VBR
Streaming Capability	Multiple streaming (Up to 10 profiles)
Audio In	Selectable (Mic in / Line in), Max output level : 1 Vrms Supply voltage : 2.5V DC (4mA), Input impedance : approx. 2K Ohm
Audio Out	Line out (3.5mm stereo mini jack)
Audio Compression Format	G.711 u-law/G.726 selectable, G.726 (ADPCM) 8KHz, G.711 8KHz G.726 : 16Kbps, 24Kbps, 32Kbps, 40Kbps
Audio Communication	Bi-directional audio
IP	IPv4, IPv6
Protocol	TCP/IP, UDP/IP, RTP(UDP), RTP(TCP), RTCP, RTSP, NTP, HTTP, HTTPS, SSL, DHCP, PPPoE, FTP, SMTP, ICMP, IGMP, SNMPv1/v2c/v3(MIB-2), ARP, DNS, DDNS, QoS, PIM-SM, UPnP, Bonjour
Security	HTTPS(SSL) login authentication, Digest login authentication IP address filtering, User access log, 802.1x authentication
Streaming Method	Unicast / Multicast
Max. User Access	15 users at unicast mode
Edge Storage	SD/SDHC/SDXC - motion Images recorded in the SD/SDHC/SDXC memory card can be downloaded. NAS (Network Attached Storage)
Application Programming Interface	ONVIF profile S, HTTP API (SUNAPI) 2.0, S/NVP 1.2
Webpage Language	English, French, German, Spanish, Italian, Chinese, Korean, Russian, Japanese, Swedish, Danish, Portuguese, Turkish, Polish, Czech, Rumanian, Serbian, Dutch, Croatian, Hungarian, Greek, Finnish, Norwegian
Web Viewer	Supported OS : Windows XP / VISTA / 7 / 8 / 8.1, MAC OS X 10.7 Supported Browser : Microsoft Internet Explorer (Ver. 11 ~ 8) Mozilla Firefox (Ver. 19 ~ 9) * Windows only Google Chrome (Ver. 25 ~ 15) * Windows only Apple Safari (Ver. 6.0.2(Mac OS X 10.8, 10.7 only), 5.1.7) * Mac OS X only
Central Management Software	SmartViewer
<b>ENVIRONMENTAL</b>	
Operating Temperature / Humidity	-40°C ~ +55°C (-40°F ~ +131°F) / Less than 90% RH * Start up should be done at above -35°C (-31°F)
Storage Temperature / Humidity	-30°C ~ +60°C (-22°F ~ +140°F) / Less than 90% RH
Ingress Protection	IP66
Vandal Resistance	IK10
<b>ELECTRICAL</b>	
Input Voltage / Current	12V DC, 24V AC, PoE (IEEE802.3af)
Power Consumption	Max. 12.95W (PoE - Heater on), Max. 14W (12V DC, 24V AC - Heater on)
<b>MECHANICAL</b>	
Color / Material	Ivory / Aluminum
Dimensions (WxH)	Ø160.0 x 118.5mm (Ø6.3" x 4.67")
Weight	985g (2.17 lb)

\* The latest product information / specification can be found at [www.samsungsecurity.com](http://www.samsungsecurity.com)

2Megapixel Full HD Vandal-Resistant  
Network Dome Camera

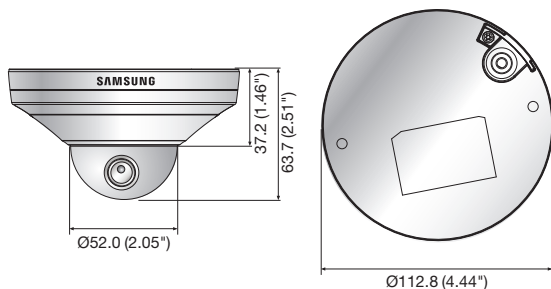


### Key Features

- Max. 2M (1920 x 1080) resolution
- 0.15Lux@F1.8 (Color), 0.15Lux@F1.8 (B/W)
- Built-in 2.8 fixed lens
- WDR (120dB), DIS, Defog
- MD, FD, Video analytics
- SD/SDHC/SDXC memory slot
- PoE, IP66, IK10

### Dimensions

Unit : mm (inch)



### Accessories (Optional)



SBP-300HM7 SBP-300LM SBP-300CM SBP-300WM1 SBP-300WM SBP-300B SBP-300PM SBP-300KM

### SNV-6013N/P

<b>VIDEO</b>	
Imaging Device	1/2.8" 2.38M CMOS (IMX136)
Total Pixels	1,952(H) x 1,116(V)
Effective Pixels	1,944(H) x 1,104(V)
Scanning System	Progressive
Min. Illumination	Color : 0.3Lux (1/30sec, F1.8, 50IRE), 0.15Lux (1/30sec, F1.8, 30IRE) B/W : 0.3Lux (1/30sec, F1.8, 50IRE), 0.15Lux (1/30sec, F1.8, 30IRE)
Video Output	CVBS : 1.0Vpp / 75Ω composite, 706 x 480(N), 704 x 576(P), for installation DIP connector type
<b>LENS</b>	
Focal Length (Zoom Ratio)	2.8mm fixed
Max. Aperture Ratio	F1.8
Angular Field of View	H : 112° / V : 62°
Min. Object Distance	0.2m (0.66ft)
Lens Type	Fixed
Mount Type	Board-in type
<b>OPERATIONAL</b>	
Camera Title	Off / On (Displayed up to 45 characters)
Day & Night	Auto (Electrical) / Color / B/W
Backlight Compensation	Off / BLC
Wide Dynamic Range	120dB
Contrast Enhancement	SSDR (Samsung Super Dynamic Range) (Off / On)
Digital Noise Reduction	SSNR III (2D+3D noise filter) (Off / On)
Digital Image Stabilization	Off / On
Defog	Off / Auto / Manual
Motion Detection	Off / On (4ea 4 points polygonal zones)
Privacy Masking	Off / On (32 zones with 4 points of polygonal)
Gain Control	Off / Low / Middle / High
White Balance	ATW / AWC / Manual / Indoor / Outdoor
Electronic Shutter Speed	Minimum / Maximum / Anti flicker (2 ~ 1/12,000sec)
Digital Zoom	16x
Flip / Mirror	Off / On
Intelligent Video Analytics	Tampering, Virtual line, Enter / Exit, (Dis)Appear, Face detection
Alarm Triggers	Motion detection, Tampering, Face detection, Video analytics, Network disconnection
Alarm Events	File upload via FTP and E-mail, Notification via E-mail, Local storage (SD/SDHC/SDXC) or NAS recording at Event (Alarm triggers)
<b>NETWORK</b>	
Ethernet	RJ-45 (10/100BASE-T)
Video Compression Format	H.264 (MPEG-4 part 10/AVC), MJPEG
Resolution	1920 x 1080, 1280 x 1024, 1280 x 960, 1280 x 720, 1024 x 768, 800 x 600, 800 x 450, 640 x 480, 640 x 360, 320 x 240, 320 x 180
Max. Framerate	H.264 : Max. 60fps at all resolutions MJPEG : 1920 x 1080, 1280 x 1024, 1280 x 960, 1280 x 720, 1024 x 768 : Max. 15fps 800 x 600, 800 x 450, 640 x 480, 640 x 360, 320 x 240, 320 x 180 : Max. 30fps
Smart Codec	Yes (Area based method)
Video Quality Adjustment	H.264 : Compression level, Target bitrate level control, MJPEG : Quality level control
Bitrate Control Method	H.264 : CBR or VBR, MJPEG : VBR
Streaming Capability	Multiple streaming (Up to 10 profiles)
IP	IPv4, IPv6
Protocol	TCP/IP, UDP/IP, RTP(UDP), RTP(TCP), RTCP, RTSP, NTP, HTTP, HTTPS, SSL, DHCP, PPPoE, FTP, SMTp, ICMP, IGMP, SNMPv1/v2c/v3(MIB-2), ARP, DNS, DDNS, QoS, PIM-SM, UPnP, Bonjour
Security	HTTPS(SSL) login authentication, Digest login authentication IP address filtering, User access log, 802.1x authentication
Streaming Method	Unicast / Multicast
Max. User Access	15 users at unicast mode
Edge Storage	SD/SDHC/SDXC - motion Images recorded in the SD/SDHC/SDXC memory card can be downloaded. NAS (Network Attached Storage)
Application Programming Interface	ONVIF profile S, HTTP API (SUNAPI) 2.0, SVNP 1.2
Webpage Language	English, French, German, Spanish, Italian, Chinese, Korean, Russian, Japanese, Swedish, Danish, Portuguese, Turkish, Polish, Czech, Rumanian, Serbian, Dutch, Croatian, Hungarian, Greek, Finnish, Norwegian
Web Viewer	Supported OS : Windows XP / VISTA / 7 / 8 / 8.1, MAC OS X 10.7 Supported Browser : Microsoft Internet Explorer (Ver. 11 ~ 8) Mozilla Firefox (Ver. 19 ~ 9) * Windows only Google Chrome (Ver. 25 ~ 15) * Windows only Apple Safari (Ver. 6.0.2(Mac OS X 10.8, 10.7 only), 5.1.7) * Mac OS X only
Central Management Software	SmartViewer
<b>ENVIRONMENTAL</b>	
Operating Temperature / Humidity	-30°C ~ +55°C (-22°F ~ +131°F) / Less than 90% RH * Start up should be done at above -10°C (+14°F)
Storage Temperature / Humidity	-30°C ~ +60°C (-22°F ~ +140°F) / Less than 90% RH
Ingress Protection	IP66
Vandal Resistance	IK10
<b>ELECTRICAL</b>	
Input Voltage / Current	PoE (IEEE802.3af, Class3)
Power Consumption	Max. 7.5W
<b>MECHANICAL</b>	
Color / Material	Ivory / Aluminum
Dimensions (WxH)	Ø112.8 x 63.7mm (Ø4.44" x 2.51")
Weight	550g (1.21 lb)

\* Data recorded on an SD memory card may be lost or damaged by data access during power-off, mechanical shock, memory card detachment, or other operations. Data loss or damage can also occur when a memory card reaches end of life, which varies according to operational conditions. No guarantee is given against damage (including passive damage).

\* The latest product information / specification can be found at [www.samsungsecurity.com](http://www.samsungsecurity.com)

## SNV-6012M

2Megapixel Full HD Vandal-Resistant  
Network Mobile Flat Camera

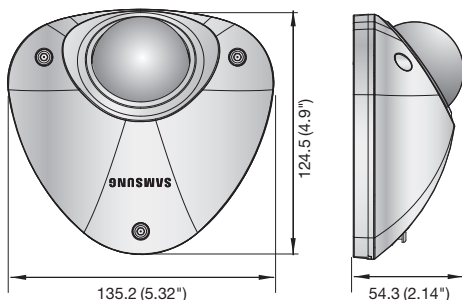


## Key Features

- Max. 2M (1920 x 1080) resolution
- 0.15Lux@F1.8 (Color), 0.15Lux@F1.8 (B/W)
- Built-in 3mm fixed lens
- H.264, MJPEG dual codec, Multiple streaming
- WDR (120dB), Enhanced DIS, Defog
- SD/SDHC/SDXC memory slot
- PoE, IP66, IK10, M12 connector, EN50155, EN50121

## Dimensions

Unit : mm (inch)



SNV-6012M	
<b>VIDEO</b>	
Imaging Device	1/2.8" 2.38M CMOS (IMX136)
Total Pixels	1,952(H) x 1,116(V)
Effective Pixels	1,944(H) x 1,104(V)
Scanning System	Progressive
Min. Illumination	Color : 0.3Lux (1/30sec, F1.2, 50IRE), 0.005Lux (2sec, F1.2, 50IRE), 0.15Lux (1/30sec, F1.8, 50IRE) B/W : 0.3Lux (1/30sec, F1.8, 50IRE), 0.15Lux (F1.8, 30IRE)
S / N Ratio	50dB
Video Output	CVBS : 1.0 Vpp / 75Ω composite, 720 x 480(N), 720 x 576(P), for installation DIP connector type
<b>LENS</b>	
Focal Length (Zoom Ratio)	3mm fixed
Max. Aperture Ratio	F2.0
Angular Field of View	H : 103.1° / V : 53.9° / D : 124.5°
Lens Type	Fixed iris
Mount Type	Board-in type
<b>PAN / TILT</b>	
Pan Range	-10° ~ 10°
Tilt Range	0° ~ 90°
<b>OPERATIONAL</b>	
Camera Title	Off / On (Displayed up to 45 characters)
Day & Night	Auto (Electrical) / Color / B/W / Schedule
Backlight Compensation	Off / BLC
Wide Dynamic Range	120dB
Contrast Enhancement	SSDR (Samsung Super Dynamic Range) (Off / On)
Digital Noise Reduction	SSNR III (2D+3D noise filter) (Off / On)
Digital Image Stabilization	Off / On
Defog	Off / Auto / Manual
Motion Detection	Off / On (4ea 4 points polygonal zones)
Privacy Masking	Off / On (32 zones with 4 points of polygonal)
Gain Control	Off / Low / Middle / High
White Balance	ATW / AWC / Manual / Indoor / Outdoor
Electronic Shutter Speed	Minimum / Maximum / Anti flicker (2 ~ 1/12,000sec)
Flip / Mirror	Off / On
Intelligent Video Analytics	Tampering, Virtual line, Enter / Exit, (Dis)Appear, Face detection
Alarm Triggers	Motion detection, Face detection, Video analytics, Network disconnection, Tampering
Alarm Events	File upload via FTP and E-mail, Notification via E-mail, Local storage (SD/SDHC/SDXC) or NAS recording at Event (Alarm triggers)
<b>NETWORK</b>	
Ethernet	10Base-T / 100Base-TX, M12 connector (4poles, Female, D-coding)
Video Compression Format	H.264 (MPEG-4 part 10/AVC), MJPEG
Resolution	1920 x 1080, 1280 x 1024, 1280 x 960, 1280 x 720, 1024 x 768, 800 x 600, 800 x 450, 640 x 480, 640 x 360, 320 x 240, 320 x 180
Max. Framerate	H.264 : Max. 60fps at all resolutions MJPEG : 1920 x 1080, 1280 x 1024, 1280 x 960, 1280 x 720, 1024 x 768 : Max. 15fps 800 x 600, 800 x 450, 640 x 480, 640 x 360, 320 x 240, 320 x 180 : Max. 30fps
Video Quality Adjustment	H.264 : Compression level, Target bitrate level control, MJPEG : Quality level control
Bitrate Control Method	H.264 : CBR or VBR, MJPEG : VBR
Streaming Capability	Multiple streaming (Up to 10 profiles)
IP	IPv4, IPv6
Protocol	TCP/IP, UDP/IP, RTP(UDP), RTP(TCP), RTCP, RTSP, NTP, HTTP, HTTPS, SSL, DHCP, PPPoE, FTP, SMTP, IGMP, IGMP, SNMPv1/v2c/v3(MIB-2), ARP, DNS, DDNS, QoS, PIM-SM, UPnP, Bonjour
Security	HTTPS(SSL) login authentication, Digest login authentication IP address filtering, User access log, 802.1x authentication
Streaming Method	Unicast / Multicast
Max. User Access	15 users at unicast mode
Edge Storage	SD/SDHC/SDXC - motion Images recorded in the SD/SDHC/SDXC memory card can be downloaded. NAS (Network Attached Storage)
Application Programming Interface	ONVIF profile S, HTTP API (SUNAPI) 2.0, SVN 1.2
Webpage Language	English, French, German, Spanish, Italian, Chinese, Korean, Russian, Japanese, Swedish, Danish, Portuguese, Turkish, Polish, Czech, Rumanian, Serbian, Dutch, Croatian, Hungarian, Greek, Norwegian, Finnish
Web Viewer	Supported OS : Windows XP / VISTA / 7 / 8 / 8.1, MAC OS X 10.7 Supported Browser : Microsoft Internet Explorer (Ver. 11 ~ 8) Mozilla Firefox (Ver. 19 ~ 9) * Windows only Google Chrome (Ver. 25 ~ 15) * Windows only Apple Safari (Ver. 6.0.2(Mac OS X 10.8, 10.7 only), 5.1.7) * Mac OS X only
Central Management Software	SmartViewer
Mobile Viewer	iPOLIS mobile
<b>ENVIRONMENTAL</b>	
Operating Temperature / Humidity	-30°C ~ +55°C (-22°F ~ +131°F) / Less than 90% RH
Storage Temperature / Humidity	-30°C ~ +60°C (-22°F ~ +140°F) / Less than 90% RH
Ingress Protection	IEC 60529 IP66, NEMA 250 type 4X
Vibration Resistance	EN 50155 class T3 (Vibration, shock, bump, temperature) EN 50121, ISO 16750-3 (Vibration)
Vandal Resistance	IEC 62262 class IK10 (20J)
UL	UL60590-1
<b>ELECTRICAL</b>	
Input Voltage / Current	PoE (Class A type only)
Power Consumption	Max. 7.5W
<b>MECHANICAL</b>	
Color / Material	Ivory / Aluminum
Dimensions (WxH)	135.2 x 54.3 x 124.5mm (5.32" x 2.14" x 4.9")
Weight	530g (1.17 lb)

\* Data recorded on an SD memory card may be lost or damaged by data access during power-off, mechanical shock, memory card detachment, or other operations. Data loss or damage can also occur when a memory card reaches end of life, which varies according to operational conditions. No guarantee is given against damage (including passive damage).

\* The latest product information / specification can be found at [www.samsungsecurity.com](http://www.samsungsecurity.com)



# WiseNet III SNV-5084

1.3Megapixel HD Vandal-Resistant  
Network Dome Camera

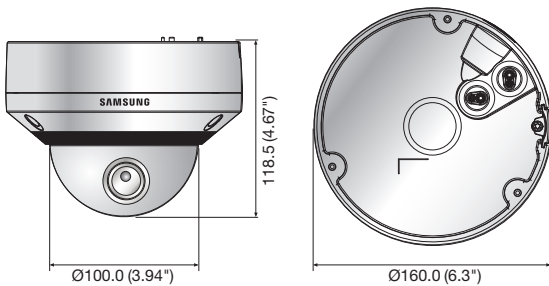


## Key Features

- Max. 1.3M (1280 x 1024) resolution
- 16 : 9 HD (720p) resolution support
- 0.008Lux@F1.2 (Color), 0.002Lux@F1.2 (B/W)
- 3 ~ 8.5mm (2.8x) motorized varifocal lens
- Audio / Face / Motion detection
- Day & Night (ICR), WDR (130dB)
- Simple focus (Motorized V/F), P-Iris, DIS, Defog
- SD/SDHC/SDXC memory slot
- Multi-crop streaming, PoE, IP66, IK10
- Bi-directional audio support

## Dimensions

Unit : mm (inch)



## Accessories (Optional)



\* Data recorded on an SD memory card may be lost or damaged by data access during power-off, mechanical shock, memory card detachment, or other operations. Data loss or damage can also occur when a memory card reaches end of life, which varies according to operational conditions. No guarantee is given against damage (including passive damage).

## SNV-5084N/P

<b>VIDEO</b>	
Imaging Device	1/3" 1.3M CMOS
Total Pixels	1,312(H) x 1,069(V)
Effective Pixels	1,305(H) x 1,049(V)
Scanning System	Progressive
Min. Illumination	Color : 0.05Lux (1/30sec, F1.2, 50IRE), 0.0008Lux (2sec, F1.2, 50IRE), 0.008Lux (1/30sec, F1.2, 30IRE) B/W : 0.005Lux (1/30sec, F1.2, 50IRE), 0.002Lux (1/30sec, F1.2, 30IRE)
S / N Ratio	50dB
Video Output	CVBS : 1.0 Vpp / 75Ω composite, 720 x 480(N), 720 x 576(P), for installation DIP connector type
<b>LENS</b>	
Focal Length (Zoom Ratio)	3 ~ 8.5mm (2.8x) motorized varifocal
Max. Aperture Ratio	F1.2
Angular Field of View	H : 93.3°(Wide) ~ 33.2°(Tele) / V : 73.7°(Wide) ~ 26.6°(Tele)
Min. Object Distance	0.5m (1.64ft)
Focus Control	Simple focus (Motorized V/F) / Manual Remote control via network (Manual, Simple focus)
Lens / Mount Type	DC auto iris, P-Iris / Board-in type
<b>PAN / TILT / ROTATE</b>	
Pan / Tilt / Rotate Range	0° ~ 354° / 0° ~ 67° / 0° ~ 355°
<b>OPERATIONAL</b>	
Camera Title	Off / On (Displayed up to 40 characters)
Day & Night	Auto (ICR) / Color / B/W / External / Schedule
Backlight Compensation	Off / BLC
Wide Dynamic Range	130dB
Contrast Enhancement	SSDR (Samsung Super Dynamic Range) (Off / On)
Digital Noise Reduction	SSNR III (2D+3D noise filter) (Off / On)
Digital Image Stabilization	Off / On
Defog	Off / Auto / Manual
Motion Detection	Off / On (4ea 4 points polygonal zones)
Privacy Masking	Off / On (32 zones with 4 points of polygonal)
Gain Control	Off / Low / Middle / High
White Balance	ATW / AWC / Manual / Indoor / Outdoor
Electronic Shutter Speed	Minimum / Maximum / Anti flicker (2 ~ 1/12,000sec)
Flip / Mirror	Off / On
Intelligent Video Analytics	Tampering, Virtual line, Enter / Exit, (Dis)Appear, Audio detection, Face detection
Alarm I/O	Input 1ea / Output 1ea
Alarm Triggers	Motion detection, Tampering, Audio detection, Face detection, Video analytics, Network disconnection, Alarm input
Alarm Events	File upload via FTP and E-mail, Notification via E-mail, Local storage (SD/SDHC/SDXC) or NAS recording at Event (Alarm triggers), External output
<b>NETWORK</b>	
Ethernet	RJ-45 (10/100BASE-T)
Video Compression Format	H.264 (MPEG-4 part 10/AVC), MJPEG
Resolution	1280 x 1024, 1280 x 720P (HD), 1024 x 768, 800 x 600, 640 x 480, 320 x 240
Max. Framerate	H.264 : Max. 60fps at all resolutions, MJPEG : Max. 30fps at all resolutions
Video Quality Adjustment	H.264 : Compression level, Target bitrate level control, MJPEG : Quality level control
Bitrate Control Method	H.264 : CBR or VBR, MJPEG : VBR
Streaming Capability	Multiple streaming (Up to 10 profiles)
Audio In	Selectable (Mic in / Line in), Max output level : 1 Vrms Supply voltage : 2.5V DC (4mA), Input impedance : approx. 2K Ohm
Audio Out	Line out (3.5mm stereo mini jack)
Audio Compression Format	G.711 u-law/G.726 selectable, G.726 (ADPCM) 8KHz, G.711 8KHz G.726 : 16Kbps, 24Kbps, 32Kbps, 40Kbps
Audio Communication	Bi-directional audio
IP	IPv4, IPv6
Protocol	TCP/IP, UDP/IP, RTP(UDP), RTP(TCP), RTCP, RTSP, NTP, HTTP, HTTPS, SSL, DHCP, PPPoE, FTP, SMTp, IGMP, IGMP, SNMPv1/v2c/v3(MIB-2), ARP, DNS, DDNS, QoS, PIM-SM, UPnP, Bonjour
Security	HTTPS(SSL) login authentication, Digest login authentication IP address filtering, User access log, 802.1x authentication
Streaming Method	Unicast / Multicast
Max. User Access	15 users at unicast mode
Edge Storage	SD/SDHC/SDXC - motion Images recorded in the SD/SDHC/SDXC memory card can be downloaded. NAS (Network Attached Storage)
Application Programming Interface	ONVIF profile S, HTTP API (SUNAPI) 2.0, S/NP 1.2
Webpage Language	English, French, German, Spanish, Italian, Chinese, Korean, Russian, Japanese, Swedish, Danish, Portuguese, Turkish, Polish, Czech, Rumanian, Serbian, Dutch, Croatian, Hungarian, Greek, Finnish, Norwegian
Web Viewer	Supported OS : Windows XP / VISTA / 7 / 8 / 8.1, MAC OS X 10.7 Supported Browser : Microsoft Internet Explorer (Ver. 11 ~ 8) Mozilla Firefox (Ver. 19 ~ 9) * Windows only Google Chrome (Ver. 25 ~ 15) * Windows only Apple Safari (Ver. 6.0.2(Mac OS X 10.8, 10.7 only), 5.1.7) * Mac OS X only
Central Management Software	SmartViewer
<b>ENVIRONMENTAL</b>	
Operating Temperature / Humidity	-40°C ~ +55°C (-40°F ~ +131°F) / Less than 90% RH * Start up should be done at above -35°C (-31°F)
Storage Temperature / Humidity	-30°C ~ +60°C (-22°F ~ +140°F) / Less than 90% RH
Ingress Protection	IP66
Vandal Resistance	IK10
<b>ELECTRICAL</b>	
Input Voltage / Current	12V DC, 24V AC, PoE (IEEE802.3af, Class3)
Power Consumption	Max. 12.95W (PoE - Heater on), Max. 14W (12V DC, 24V AC - Heater on)
<b>MECHANICAL</b>	
Color / Material	Ivory / Aluminum
Dimensions (WxH)	Ø160.0 x 118.5mm (Ø6.3" x 4.67")
Weight	985g (2.17 lb)

\* The latest product information / specification can be found at [www.samsungsecurity.com](http://www.samsungsecurity.com)

## SNV-7084R

3Megapixel Vandal-Resistant  
Network IR Dome Camera

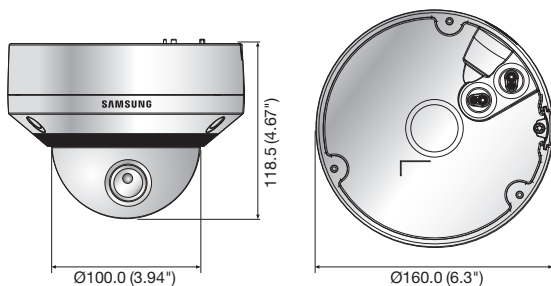


## Key Features

- Max. 3M (2048 x 1536) resolution
- 30fps@2048 x 1536 / 60fps@1920 x 1080
- 3 ~ 8.5mm (2.8x) motorized varifocal lens
- Simple focus (Motorized V/F), P-Iris
- Day & Night (ICR), Enhanced DIS, Defog
- 3M real-time WDR (Max. 120dB)
- Multi-crop streaming
- micro SD/SDHC/SDXC memory slot
- IR LED (12ea), PoE, IP66, IK10, Bi-directional audio support

## Dimensions

Unit : mm (inch)



## Accessories (Optional)



\* Data recorded on an SD memory card may be lost or damaged by data access during power-off, mechanical shock, memory card detachment, or other operations. Data loss or damage can also occur when a memory card reaches end of life, which varies according to operational conditions. No guarantee is given against damage (including passive damage).

## SNV-7084RN/P

<b>VIDEO</b>	
Imaging Device	1/2.8" 3.2M CMOS
Total Pixels	2,065(H) x 1,565(V)
Effective Pixels	2,065(H) x 1,553(V)
Scanning System	Progressive
Min. Illumination	Color : 0.1Lux (F1.2, 50IRE), 0.06Lux (F1.2, 30IRE), 0.0017Lux (2sec, F1.2, 30IRE) B/W : 0Lux (F1.2, 50IRE), 0Lux (F1.2, 30IRE), 0Lux (2sec, F1.2, 50IRE)
S / N Ratio	50dB
Video Output	CVBS : 1.0Vpp / 75Ω composite, 720 x 480(N), 720 x 576(P), for installation DIP connector type
<b>LENS</b>	
Focal Length (Zoom Ratio)	3 ~ 8.5mm (2.8x) motorized varifocal
Max. Aperture Ratio	F1.2
Angular Field of View	H : 100.12°(Wide) ~ 35.38°(Tele) / V : 73.76°(Wide) ~ 26.58°(Tele)
Min. Object Distance	0.5m (1.64ft)
Focus Control	Simple focus (Motorized V/F) / Manual, Remote control via network (Manual, Simple focus)
Lens Type / Mount Type	DC auto iris, P-Iris / Board-in type
<b>PAN / TILT / ROTATE</b>	
Pan / Tilt / Rotate Range	0° ~ 354° / 0° ~ 67° / 0° ~ 355°
<b>OPERATIONAL</b>	
IR LED	12ea
Viewable Length	25m (82.02ft)
Camera Title	Off / On (Displayed up to 45 characters)
Day & Night	Auto (ICR) / Color / B/W / External / Schedule
Backlight Compensation	Off / BLC / WDR
Wide Dynamic Range	120dB
Contrast Enhancement	SSDR (Samsung Super Dynamic Range) (Off / On)
Digital Noise Reduction	SSNR III (2D+3D noise filter) (Off / On)
Digital Image Stabilization	Off / On
Defog	Off / Auto / Manual
Motion Detection	Off / On (4 zones with 4-sided polygon)
Privacy Masking	Off / On (32 zones with 4-sided polygon)
Gain Control	Off / Low / Middle / High
White Balance	ATW / AWC / Manual / Indoor / Outdoor
Electronic Shutter Speed	Minimum / Maximum / Anti flicker (1 ~ 1/12,000sec)
Flip / Mirror	Off / On
Intelligent Video Analytics	Tampering, Virtual line, Enter / Exit, (Dis)Appear, Audio detection, Face detection with metadata
Alarm I/O	Input 1ea / Output 1ea
Alarm Triggers	Motion detection, Tampering, Audio detection, Face detection, Network disconnection, Video analytics, Alarm input
Alarm Events	File upload via FTP and E-mail, Notification via E-mail, Local storage (SD/SDHC/SDXC) or NAS recording at Event, External output
<b>NETWORK</b>	
Ethernet	RJ-45 (10/100BASE-T)
Video Compression Format	H.264 (MPEG-4 part 10/AVC), MJPEG
Resolution	2048 x 1536, 1920 x 1080, 1600 x 1200, 1280 x 1024, 1280 x 960, 1280 x 720, 1024 x 768, 800 x 600, 800 x 450, 640 x 480, 640 x 360, 320 x 240, 320 x 180 H.264 : Max. 30fps@2048 x 1536, 1600 x 1200, Max 60fps@the other resolutions MJPEG : Max. 10fps@2048 x 1536
Max. Framerate	Max. 15fps@1920 x 1080, 1600 x 1200, 1280 x 1024, 1280 x 960, 1280 x 720, 1024 x 768 Max. 30fps@800 x 600, 800 x 450, 640 x 480, 640 x 360, 320 x 240, 320 x 180
Smart Codec	Manual mode (Area-based : 5ea), Face detection mode
Video Quality Adjustment	H.264 : Compression level, Target bitrate level control, MJPEG : Quality level control
Bitrate Control Method	H.264 : CBR or VBR, MJPEG : VBR
Streaming Capability	Multiple streaming (Up to 10 profiles)
Audio In	Selectable (Mic in / Line in), Supply voltage : 2.5V DC (4mA), Input impedance : approx. 2K Ohm
Audio Out	Line out (3.5mm mono jack), Max output level : 1 Vrms
Audio Compression Format	G.711 u-law/G.726 selectable, G.726 (ADPCM) 8KHz, G.711 8KHz G.726 : 16Kbps, 24Kbps, 32Kbps, 40Kbps
Audio Communication	Bi-directional audio
IP	IPv4, IPv6
Protocol	TCP/IP, UDP/IP, RTP(UDP), RTP(TCP), RTCP, RTSP, NTP, HTTP, HTTPS, SSL, DHCP, PPPoE, FTP, SMTP, ICMP, IGMP, SNMPv1/v2c/v3(MIB-2), ARP, DNS, DDNS, QoS, PIM-SM, UPnP, Bonjour
Security	HTTPS(SSL) login authentication, Digest login authentication IP address filtering, User access log, 802.1x authentication
Streaming Method	Unicast / Multicast
Max. User Access	15 users at unicast mode
Edge Storage	micro SD/SDHC/SDXC Motion images recorded in the SDXC/SDHC/SD memory card can be downloaded NAS (Network Attached Storage)
Application Programming Interface	ONVIF profile S, HTTP API (SUNAPI) 2.0, S/NVP 1.2
Webpage Language	English, French, German, Spanish, Italian, Chinese, Korean, Russian, Japanese, Swedish, Danish, Portuguese, Turkish, Polish, Czech, Rumanian, Serbian, Dutch, Croatian, Hungarian, Greek, Norwegian, Finnish
Web Viewer	Supported OS : Windows XP / VISTA / 7 / 8 / 8.1, MAC OS X 10.7 Supported Browser : Microsoft Internet Explorer (Ver. 11 ~ 8) Mozilla Firefox (Ver. 19 ~ 9) * Windows only Google Chrome (Ver. 25 ~ 15) * Windows only Apple Safari (Ver. 6.0.2(Mac OS X 10.8, 10.7 only), 5.1.7) * Mac OS X only
Central Management Software	SmartViewer, SSM
<b>ENVIRONMENTAL</b>	
Operating Temperature / Humidity	24V AC : -40°C ~ +55°C (-40°F ~ +131°F) / Less than 90% RH 12V DC, PoE : -20°C ~ +55°C (-4°F ~ +131°F) / Less than 90% RH * Start up should be done at above -10°C (+14°F)
Storage Temperature / Humidity	-30°C ~ +60°C (-22°F ~ +140°F) / Less than 90% RH
Ingress Protection / Vandal Resistance	IP66 / IK10
<b>ELECTRICAL</b>	
Input Voltage / Current	24V AC, 12V DC, PoE (IEEE802.3af, Class3)
Power Consumption	Max. 10.5W (12V DC), Max. 11.5W (PoE), Max. 12W / 15W (24V AC, Heater off / on) * Heater works at AC power input only
<b>MECHANICAL</b>	
Color / Material	Ivory / Aluminum
Dimensions (WxH)	Ø160.0 x 118.5mm (Ø6.3" x 4.67")
Weight	975g (2.15 lb)

\* The latest product information / specification can be found at [www.samsungsecurity.com](http://www.samsungsecurity.com)

2Megapixel Full HD Vandal-Resistant  
Network IR Dome Camera

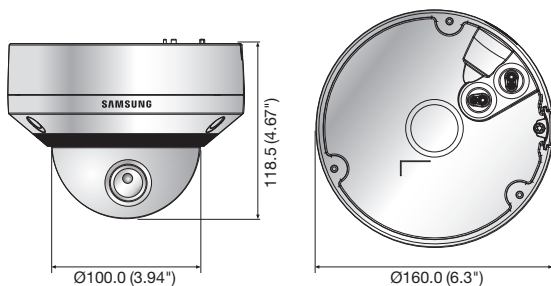


## Key Features

- Max. 2M (1920 x 1080) resolution
- 0.03Lux@F1.2 (Color), 0Lux@F1.2 (B/W : IR LED on)
- 3 ~ 8.5mm (2.8x) motorized varifocal lens
- H.264, MJPEG dual codec, Multiple streaming
- WDR (120dB), Simple focus (Motorized V/F), P-Iris, Defog
- Audio / Face / Motion detection
- SD/SDHC/SDXC memory slot
- Multi-crop streaming, PoE, UPnP
- IR LED (12ea), IP66, IK10, Bi-directional audio support

## Dimensions

Unit : mm (inch)



## Accessories (Optional)



\* Data recorded on an SD memory card may be lost or damaged by data access during power-off, mechanical shock, memory card detachment, or other operations. Data loss or damage can also occur when a memory card reaches end of life, which varies according to operational conditions. No guarantee is given against damage (including passive damage).

## SNV-6084RN/P

<b>VIDEO</b>	
Imaging Device	1/2.8" 2.38M CMOS (IMX136)
Total Pixels	1,952(H) x 1,116(V)
Effective Pixels	1,944(H) x 1,104(V)
Scanning System	Progressive
Min. Illumination	Color : 0.1Lux (1/30sec, F1.2, 50IRE), 0.0017Lux (2sec, F1.2, 50IRE), 0.03Lux (F1.2, 30IRE) B/W : 0Lux (F1.2, 50IRE, IR LED on), 0Lux (F1.2, 30IRE, IR LED on)
S / N Ratio	50dB
Video Output	CVBS : 1.0Vpp / 75Ω composite, 704 x 480(N), 704 x 576(P), for installation DIP connector type
<b>LENS</b>	
Focal Length (Zoom Ratio)	3 ~ 8.5mm (2.8x) motorized varifocal
Max. Aperture Ratio	F1.2
Angular Field of View	H : 105.5°(Wide) ~ 37.1°(Tele) / V : 57.5°(Wide) ~ 21.0°(Tele)
Min. Object Distance	0.5m (1.64ft)
Focus Control	Simple focus (Motorized V/F) / Manual, Remote control via network (Manual, Simple focus)
Lens / Mount Type	DC auto iris, P-Iris / Board-in type
<b>PAN / TILT / ROTATE</b>	
Pan / Tilt / Rotate Range	0° ~ 354° / 0° ~ 67° / 0° ~ 355°
<b>OPTIONAL</b>	
IR LED	12ea
Viewable Length	15m (49.21ft)
Camera Title	Off / On (Displayed up to 45 characters)
Day & Night	Auto (ICR) / Color / B/W / External / Schedule
Backlight Compensation	Off / BLC
Wide Dynamic Range	120dB
Contrast Enhancement	SSDR (Samsung Super Dynamic Range) (Off / On)
Digital Noise Reduction	SSNR III (2D+3D noise filter) (Off / On)
Digital Image Stabilization	Off / On
Defog	Off / Auto / Manual
Motion Detection	Off / On (4ea 4 points polygonal zones)
Privacy Masking	Off / On (32 zones with 4 points of polygonal)
Gain Control	Off / Low / Middle / High
White Balance	ATW / AWC / Manual / Indoor / Outdoor
Electronic Shutter Speed	Minimum / Maximum / Anti flicker
Flip / Mirror	Off / On
Intelligent Video Analytics	Tampering, Virtual line, Enter / Exit, (Dis)Appear, Audio detection, Face detection
Alarm I/O	Input 1ea / Output 1ea
Alarm Triggers	Motion detection, Tampering, Audio detection, Face detection, Video analytics, Network disconnection, Alarm input
Alarm Events	File upload via FTP and E-mail, Notification via E-mail, Local storage (SD/SDHC/SDXC) or NAS recording at Event (Alarm triggers), External output
<b>NETWORK</b>	
Ethernet	RJ-45 (10/100BASE-T)
Video Compression Format	H.264 (MPEG-4 part 10/AVC), MJPEG
Resolution	1920 x 1080, 1280 x 1024, 1280 x 960, 1280 x 720, 1024 x 768, 800 x 600, 800 x 450, 640 x 480, 640 x 360, 320 x 240, 320 x 180
Max. Framerate	H.264 : Max. 60fps at all resolutions MJPEG : 1920 x 1080, 1280 x 1024, 1280 x 960, 1280 x 720, 1024 x 768 : Max. 15fps 800 x 600, 800 x 450, 640 x 480, 640 x 360, 320 x 240, 320 x 180 : Max. 30fps
Video Quality Adjustment	H.264 : Compression level, Target bitrate level control, MJPEG : Quality level control
Bitrate Control Method	H.264 : CBR or VBR, MJPEG : VBR
Streaming Capability	Multiple streaming (Up to 10 profiles)
Audio In	Selectable (Mic in / Line in), Max output level : 1 Vrms Supply voltage : 2.5V DC (4mA), Input impedance : approx. 2K Ohm
Audio Out	Line out (3.5mm stereo mini jack)
Audio Compression Format	G.711 u-law/G.726 selectable, G.726 (ADPCM) 8KHz, G.711 8KHz G.726 : 16Kbps, 24Kbps, 32Kbps, 40Kbps
Audio Communication	Bi-directional audio
IP	IPv4, IPv6
Protocol	TCP/IP, UDP/IP, RTP(UDP), RTP(TCP), RTCP, RTSP, NTP, HTTP, HTTPS, SSL, DHCP, PPPoE, FTP, SMTP, ICMP, IGMP, SNMPv1/v2c/v3(MIB-2), ARP, DNS, DDNS, QoS, PIM-SM, UPnP, Bonjour
Security	HTTPS(SSL) login authentication, Digest login authentication IP address filtering, User access log, 802.1x authentication
Streaming Method	Unicast / Multicast
Max. User Access	15 users at unicast mode
Edge Storage	SD/SDHC/SDXC - motion Images recorded in the SD/SDHC/SDXC memory card can be downloaded. NAS (Network Attached Storage)
Application Programming Interface	ONVIF profile S & G, HTTP API (SUNAPI) 2.0, S/NP 1.2
Webpage Language	English, French, German, Spanish, Italian, Chinese, Korean, Russian, Japanese, Swedish, Danish, Portuguese, Turkish, Polish, Czech, Rumanian, Serbian, Dutch, Croatian, Hungarian, Greek, Norwegian, Finnish
Web Viewer	Supported OS : Windows XP / VISTA / 7 / 8 / 8.1, MAC OS X 10.7 Supported Browser : Microsoft Internet Explorer (Ver. 11 ~ 8) Mozilla Firefox (Ver. 19 ~ 9) * Windows only Google Chrome (Ver. 25 ~ 15) * Windows only Apple Safari (Ver. 6.0.2(Mac OS X 10.8, 10.7 only), 5.1.7) * Mac OS X only
Central Management Software	SmartViewer
<b>ENVIRONMENTAL</b>	
Operating Temperature / Humidity	24V AC : -40°C ~ +55°C (-40°F ~ +131°F) / Less than 90% RH 12V DC, PoE : -20°C ~ +55°C (-4°F ~ +131°F) / Less than 90% RH * Start up should be done at above -10°C (+14°F)
Storage Temperature / Humidity	-30°C ~ +60°C (-22°F ~ +140°F) / Less than 90% RH
Ingress Protection / Vandal Resistance	IP66 / IK10
<b>ELECTRICAL</b>	
Input Voltage / Current	12V DC ±10%, 24V AC ±10%, PoE (IEEE802.3af)
Power Consumption	Max. 9.5W (Heater off), Max. 13.5W (24V AC - Heater on)
<b>MECHANICAL</b>	
Color / Material	Ivory / Aluminum
Dimensions (WxH)	Ø160.0 x 118.5mm (Ø6.3" x 4.67")
Weight	960g (2.12 lb)

\* The latest product information / specification can be found at [www.samsungsecurity.com](http://www.samsungsecurity.com)

## SNV-5084R

1.3Megapixel HD Vandal-Resistant  
Network IR Dome Camera

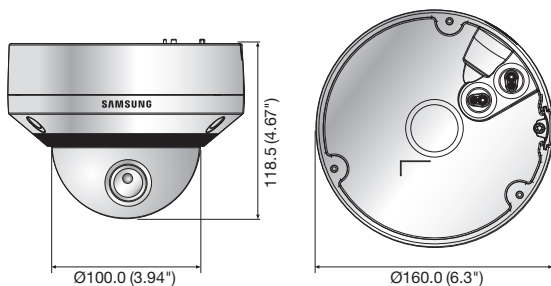


## Key Features

- Max. 1.3M (1280 x 1024) resolution
- 60fps@all resolutions
- 0.005Lux@F1.2 (Color), 0Lux@F1.2 (B/W : IR LED on)
- 3 ~ 8.5mm (2.8x) motorized varifocal lens
- H.264, MJPEG dual codec, Multiple streaming
- Day & Night (ICR), WDR (130dB)
- Simple focus (Motorized V/F), P-Iris, DIS, Defog
- Multi-crop streaming
- micro SD/SDHC/SDXC memory slot
- IR LED (12ea), IP66, IK10, Bi-directional audio support

## Dimensions

Unit : mm (inch)



## Accessories (Optional)



\* Data recorded on an SD memory card may be lost or damaged by data access during power-off, mechanical shock, memory card detachment, or other operations. Data loss or damage can also occur when a memory card reaches end of life, which varies according to operational conditions. No guarantee is given against damage (including passive damage).

## SNV-5084RN/P

<b>VIDEO</b>	
Imaging Device	1/3" 1.37M CMOS (IMX238)
Total Pixels	1,312(H) x 1,069(V)
Effective Pixels	1,305(H) x 1,049(V)
Scanning System	Progressive
Min. Illumination	Color : 0.05Lux (1/30sec, F1.2, 50IRE), 0.0008Lux (2sec, 50IRE), 0.005Lux (1/30sec, F1.2, 30IRE)
S / N Ratio	50dB
Video Output	CVBS : 1.0Vpp / 75Ω composite, 704 x 480(N), 704 x 576(P), for installation DIP connector type
<b>LENS</b>	
Focal Length (Zoom Ratio)	3 ~ 8.5mm (2.8x) motorized varifocal
Max. Aperture Ratio	F1.2
Angular Field of View	H : 93.4°(Wide) ~ 33.1°(Tele) / V : 73.8°(Wide) ~ 26.5°(Tele)
Min. Object Distance	0.5m (1.64ft)
Focus Control	Simple focus (Motorized V/F) / Manual - Remote control via network (Manual, Simple focus)
Lens / Mount Type	DC auto iris, P-Iris / Board-in type
<b>PAN / TILT / ROTATE</b>	
Pan / Tilt / Rotate Range	0° ~ 354° / 0° ~ 67° / 0° ~ 355°
<b>OPERATIONAL</b>	
IR LED / Viewable Length	12ea / 30m (98.43ft)
Camera Title	Off / On (Displayed up to 40 characters)
Day & Night	Auto (ICR) / Color / B/W / External / Schedule
Backlight Compensation	Off / BLC / WDR
Wide Dynamic Range	130dB
Contrast Enhancement	SSDR (Samsung Super Dynamic Range) (Off / On)
Digital Noise Reduction	SSNR III (2D+3D noise filter) (Off / On)
Digital Image Stabilization	Off / On
Defog	Off / Auto / Manual
Motion Detection	Off / On (4 zones with 4-sided polygon)
Privacy Masking	Off / On (32 zones with 4-sided polygon)
Gain Control	Off / Low / Middle / High
White Balance	ATW / AWC / Manual / Indoor / Outdoor
Electronic Shutter Speed	Minimum / Maximum / Anti flicker
Flip / Mirror	Off / On
Intelligent Video Analytics	Tampering, Virtual line, Enter / Exit, (Dis)Appear, Audio detection, Face detection with metadata
Alarm I/O	Input 1ea / Output 1ea
Alarm Triggers	Motion detection, Tampering, Audio detection, Face detection, Video analytics, Network disconnection, Alarm input
Alarm Events	File upload via FTP and E-mail, Notification via E-mail, TCP Local storage (SD/SDHC/SDXC) recording at Network disconnected & Event (Alarm triggers), External output
<b>NETWORK</b>	
Ethernet	RJ-45 (10/100BASE-T)
Video Compression Format	H.264 (MPEG-4 part 10/AVC), MJPEG
Resolution	1280 x 1024, 1280 x 720P (HD), 1024 x 768, 800 x 600, 640 x 480, 320 x 240
Max. Framerate	H.264 : Max. 60fps at all resolutions MJPEG : 1280 x 1024, 1280 x 720, 1024 x 768 : Max. 15fps 800 x 600, 640 x 480, 320 x 240 : Max. 30fps
Video Quality Adjustment	H.264 : Compression level, Target bitrate level control, MJPEG : Quality level control
Bitrate Control Method	H.264 : CBR or VBR, MJPEG : VBR
Streaming Capability	Multiple streaming (Up to 10 profiles)
Audio In	Selectable (Mic in / Line in) Supply voltage : 2.5V DC (4mA), Input impedance : approx. 2K Ohm
Audio Out	Line out (3.5mm mono jack), Max output level : 1 Vrms
Audio Compression Format	G.711 u-law/G.726 selectable, G.726 (ADPCM) 8KHz, G.711 8KHz G.726 : 16Kbps, 24Kbps, 32Kbps, 40Kbps
Audio Communication	Bi-directional audio
IP	IPv4, IPv6
Protocol	TCP/IP, UDP/IP, RTP (UDP), RTP (TCP), RTCP, RTSP, NTP, HTTP, HTTPS, SSL, DHCP, PPPoE, FTP, SMTP, ICMP, IGMP, SNMPv1/v2c/v3(MIB-2), ARP, DNS, DDNS, QoS, PIM-SM, UPnP, Bonjour
Security	HTTPS (SSL) login authentication, Digest login authentication IP address filtering, User access log, 802.1x authentication
Streaming Method	Unicast / Multicast
Max. User Access	15 users at unicast mode
Edge Storage	micro SD/SDHC/SDXC Motion images recorded in the SDXC/SDHC/SD memory card can be downloaded NAS (Network Attached Storage)
Application Programming Interface	ONVIF profile S, SUNAPI, SVNP 1.2
Webpage Language	English, French, German, Spanish, Italian, Chinese, Korean, Russian, Japanese, Swedish, Danish, Portuguese, Turkish, Polish, Czech, Rumanian, Serbian, Dutch, Croatian, Hungarian, Greek, Finnish, Norwegian
Web Viewer	Supported OS : Windows XP / VISTA / 7 / 8, MAC OS X 10.7 Supported Browser : Microsoft Internet Explorer (Ver. 10, 9, 8), Mozilla Firefox (Ver. 19, 18, 17, 16, 15, 14, 13, 12, 11, 10, 9), Google Chrome (Ver. 25, 24, 23, 22, 21, 20, 19, 18, 17, 16, 15), Apple Safari (Ver. 6.0.2 (Mac OS X 10.8, 10.7 only), 5.1.7) * Mac OS X only
Central Management Software	SmartViewer, SSM
<b>ENVIRONMENTAL</b>	
Operating Temperature / Humidity	-40°C ~ +55°C (-40°F ~ +131°F) / Less than 90% RH * Start up should be done at above -35°C (-31°F)
Storage Temperature / Humidity	-30°C ~ +60°C (-22°F ~ +140°F) / Less than 90% RH
Ingress Protection / Vandal Resistance	IP66 / IK10
<b>ELECTRICAL</b>	
Input Voltage / Current	12V DC, 24V AC, PoE (IEEE802.3af)
Power Consumption	Max. 12.95W (Heater on), Max. 11W (Heater off)
<b>MECHANICAL</b>	
Color / Material	Ivory / Aluminum
Dimensions (WxH) / Weight	160.0 x 118.5mm (Ø6.3" x 4.67") / 985g (2.17 lb)

\* The latest product information / specification can be found at [www.samsungsecurity.com](http://www.samsungsecurity.com)

# SNP-6321H/6321

2Megapixel Full HD 32x Network PTZ Dome Camera



SNP-6321H



SNP-6321

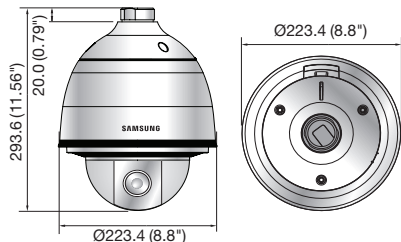
## Key Features

- Max. 2M (1920 x 1080) resolution
- 16 : 9 Full HD (1080p) resolution support
- 4.44 ~ 142.6mm (32x) optical zoom, 16x digital zoom
- H.264, MJPEG dual codec, Multiple streaming
- Day & Night (ICR), WDR (120dB), Intelligent video analytics
- PoE+, SD/SDHC/SDXC memory slot, Bi-directional audio support
- IP66 / IK10 (SNP-6321H), IK10 (SNP-6321 + SHP-3701H only)

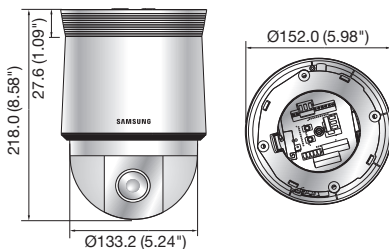
## Dimensions

Unit : mm (inch)

SNP-6321H



SNP-6321



## Accessories (Optional)



\* Data recorded on an SD memory card may be lost or damaged by data access during power-off, mechanical shock, memory card detachment, or other operations. Data loss or damage can also occur when a memory card reaches end of life, which varies according to operational conditions. No guarantee is given against damage (including passive damage).

	SNP-6321HN/HP	SNP-6321N/P
<b>VIDEO</b>		
Imaging Device	1/2.8" 2.38M CMOS	
Total / Effective Pixels	1,952(H) x 1,116(V), 2.18M pixels / 1,944(H) x 1,104(V), 2.14M pixels	
Scanning System	Progressive	
Color	0.3Lux (1/30sec, F1.6, 50IRE, AGC high), 0.005Lux (2sec, F1.6, 50IRE, AGC high)	
B/W	0.03Lux (1/30sec, F1.6, 50IRE, AGC high), 0.0005Lux (2sec, F1.6, 50IRE, AGC high)	
Min. Illumination	Color : 0.15Lux (1/30sec, F1.6, 30IRE), 0.0025Lux (2sec, F1.6, 30IRE) B/W : 0.015Lux (1/30sec, F1.6, 30IRE), 0.00025Lux (2sec, F1.6, 30IRE)	
S / N Ratio	50dB	
Video Output	CVBS : 1.0Vpp / 75Ω composite, 720 x 480(N), 720 x 576(P), for installation	
<b>LENS</b>		
Focal Length (Zoom Ratio)	4.44 ~ 142.6mm (Optical 32x)	
Max. Aperture Ratio	F1.6(Wide) / F4.4(Tele)	
Angular Field of View	H : 62.8°(Wide) ~ 2.23°(Tele) / V : 36.8°(Wide) ~ 1.26°(Tele)	
Min. Object Distance	Wide : 1.5m (4.92ft), Tele : 1.9m (6.23ft)   Wide : 1.5m (4.92ft), Tele : 2m (6.56ft)	
Focus Control	Auto / Manual / One push	
Lens / Mount Type	DC auto iris / Board-in type	
<b>PAN / TILT / ROTATE</b>		
Pan / Tilt Range	360° Endless / 210° (-15° ~ 195°)	
Pan / Tilt Speed	Preset : 700°/sec, Manual : 0.024°/sec ~ 120°/sec	
Sequence	Preset (255ea), Swing, Group (6ea), Trace, Tour (1ea), Auto run, Schedule	
Preset Accuracy	±0.2°	
Azimuth	Yes (E / W / S / N / NE / NW / SE / SW)	
<b>OPERATIONAL</b>		
Camera Title	Off / On (Displayed up to 45 characters)	
Day & Night	Auto (ICR) / Color / B/W	
Backlight Compensation	Off / BLC	
Wide Dynamic Range	120dB	
Contrast Enhancement	SSDR (Samsung Super Dynamic Range) (Off / On)	
Digital Noise Reduction	SSNR III (2D+3D noise filter) (Off / On)	
Digital Image Stabilization	Off / On	
Defog	Off / Auto / Manual	
Motion Detection	Off / On (4ea rectangle zone)	
Privacy Masking	Off / On (32 zones of rectangle zone) with zoom threshold mosaic option	
Gain Control	Off / Low / Middle / High	
White Balance	ATW / AWC / Manual / Indoor / Outdoor / Mercury	
Electronic Shutter Speed	Minimum / Maximum / Anti flicker (2 ~ 1/12,000sec)	
Digital Zoom	16x	
Flip / Mirror	Off / On	
Intelligent Video Analytics	Tampering, Virtual line, Enter / Exit, (Dis)Appear, Audio detection, Face detection	
Alarm I/O	Input 4ea / Output 2ea (Relay)	
Remote Control Interface	RS-485	
RS-485 Protocol	Samsung-T/E, Pelco-P/D, Panasonic, Honeywell, AD, Vicon, Bosch, GE	
Alarm Triggers	Motion detection, Tampering, Audio detection, Face detection, Video analytics, Alarm input, Network disconnection	
Alarm Events	File upload via FTP and E-mail, Notification via E-mail, TCP and HTTP, Local storage (SD/SDHC/SDXC) or NAS recording at network disconnected & event (Alarm triggers), External output	
<b>NETWORK</b>		
Ethernet	RJ-45 (10/100BASE-T)	
Video Compression Format	H.264 (MPEG-4 part 10 / AVC), MJPEG	
Resolution	1920 x 1080, 1280 x 1024, 1280 x 960, 1280 x 720, 1024 x 768, 800 x 600, 800 x 450, 720 x 576, 640 x 480, 640 x 360, 320 x 240, 320 x 180 H.264 : Max. 60fps at all resolutions	
Max. Framerate	MJPEG : 1920 x 1080, 1280 x 1024, 1280 x 960, 1280 x 720, 1024 x 768 : Max. 15fps 800 x 600, 800 x 450, 720 x 576, 640 x 480, 640 x 360, 320 x 240, 320 x 180 : Max. 30fps	
Smart Codec	Yes	
Video Quality Adjustment	H.264 : Compression level, Target bitrate level control, MJPEG : Quality level control	
Bitrate Control Method	H.264 : CBR or VBR, MJPEG : VBR	
Streaming Capability	Multiple streaming (Up to 10 profiles)	
Audio In	Selectable (Mic in / Line in), Supply voltage : 2.5V DC (4mA), Input impedance : approx. 2K Ohm	
Audio Out	Line out (3.5mm mono jack), Max output level : 1Vrms G.711 u-law/G.726 selectable, G.726 (ADPCM) 8KHz, G.711 8KHz, G.726 : 16Kbps, 24Kbps, 32Kbps, 40Kbps	
Audio Compression Format	G.711 u-law/G.726 selectable, G.726 (ADPCM) 8KHz, G.711 8KHz, G.726 : 16Kbps, 24Kbps, 32Kbps, 40Kbps	
Audio Communication	Bi-directional audio	
IP	IPv4, IPv6	
Protocol	TCP/IP, UDP/IP, RTP(UDP), RTP(TCP), RTCP, RTSP, NTP, HTTP, HTTPS, SSL, DHCP, PPPoE, FTP, SMTP, ICMP, IGMP, SNMPv1/v2c/v3(MIB-2), ARP, DNS, DDNS, QoS, PIM-SM, UPnP, Bonjour	
Security	HTTPS(SSL) login authentication, Digest login authentication IP address filtering, User access log, 802.1x authentication	
Streaming Method	Unicast / Multicast	
Max. User Access	10 users at unicast mode	
Edge Storage	SD/SDHC/SDXC slot for supporting memory card Motion Images recorded in the SD/SDHC/SDXC memory card can be downloaded NAS (Network Attached Storage)	
Application Programming Interface	ONVIF profile S, SUNAPI (HTTP API), SVNP 1.2, Samsung Techwin Open Platform	
Webpage Language	English, French, German, Spanish, Italian, Chinese, Korean, Russian, Japanese, Swedish, Danish, Portuguese, Turkish, Polish, Czech, Rumanian, Serbian, Dutch, Croatian, Hungarian, Greek, Finnish, Norwegian	
Supported OS	Supported OS : Windows XP / VISTA / 7 / 8, MAC OS X 10.7 Supported OS : Windows XP / VISTA / 7 / 8, MAC OS X 10.7	
Web Viewer	Supported Browser : Microsoft Internet Explorer (Ver. 8 ~ 11), Mozilla Firefox (Ver. 9 ~ 19), Google Chrome (Ver. 15 ~ 25), Apple Safari (Ver. 6.0.2(Mac OS X 10.8, 10.7 only), 5.1.7) * Mac OS X only	
Central Management Software	SmartViewer, SSM	
<b>ENVIRONMENTAL</b>		
Operating Temperature / Humidity	24V AC : -50°C ~ +55°C (-58°F ~ +131°F) / Less than ~ 90% RH PoE+ : -30°C ~ +55°C (-22°F ~ +131°F) / Less than 90% RH -10°C ~ +55°C (+14°F ~ +131°F) / Less than 90% RH	
Storage Temperature / Humidity	-30°C ~ +60°C (-22°F ~ +140°F) / Less than 90% RH	
Ingress Protection	IP66	
Vandal Resistance	IK10	
<b>ELECTRICAL</b>		
Input Voltage / Current	24V AC ±10%, PoE+ (IEEE802.3af, Class4)	
Power Consumption	24V AC : Max. 65W (24V AC heater on & PoE heater on) PoE+ : Max. 25W (24V AC heater off / PoE heater on)   Max. 20W	
<b>MECHANICAL</b>		
Color / Material	Ivory / Plastic + Metal	
Dimensions (WxH)	Ø223.4 x 293.6mm (Ø8.8" x 11.56")   Ø152.0 x 218.0mm (Ø5.98" x 8.58")	
Weight	3.2Kg (7.05 lb)   1.8Kg (3.97 lb)	

\* The latest product information / specification can be found at [www.samsungsecurity.com](http://www.samsungsecurity.com)

# SNP-5321H/5321

1.3Megapixel HD 32x Network PTZ Dome Camera



SNP-5321H



SNP-5321

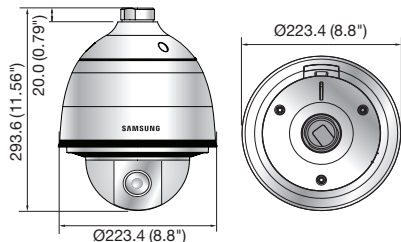
## Key Features

- Max. 1.3M (1280 x 1024) resolution
- 16 : 9 HD (720p) resolution support
- 4.44 ~ 142.6mm (32x) optical zoom, 16x digital zoom
- 0.05Lux@F1.6 (Color), 0.005Lux@F1.6 (B/W)
- H.264, MJPEG dual codec, Multiple streaming
- Day & Night (ICR), WDR (120dB), Intelligent video analytics
- PoE+, SD/SDHC/SDXC memory slot, Bi-directional audio support
- IP66 / IK10 (SNP-5321H), IK10 (SNP-5321 + SHP-3701H only)

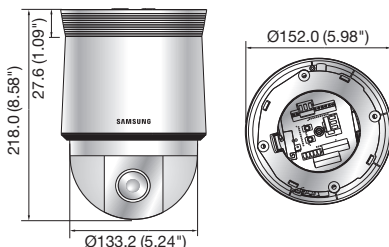
## Dimensions

Unit : mm (inch)

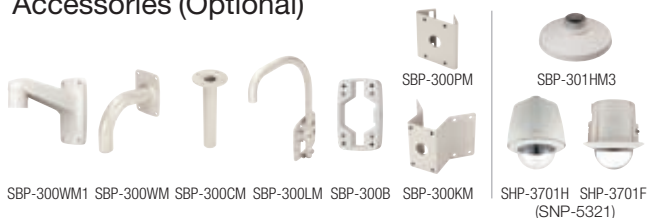
SNP-5321H



SNP-5321



## Accessories (Optional)



\* Data recorded on an SD memory card may be lost or damaged by data access during power-off, mechanical shock, memory card detachment, or other operations. Data loss or damage can also occur when a memory card reaches end of life, which varies according to operational conditions. No guarantee is given against damage (including passive damage).

	SNP-5321HN/HP	SNP-5321N/P
<b>VIDEO</b>		
Imaging Device	1/3" 1.3M CMOS	
Total / Effective Pixels	1,312(H) x 1,069(V), 1.40M pixels / 1,305(H) x 1,049(V), 1.37M pixels	
Scanning System	Progressive	
Min. Illumination	Color : 0.1Lux (1/30sec, F1.6, 50IRE, AGC high), 0.005Lux (2sec, F1.6, 50IRE, AGC high) B/W : 0.01Lux (1/30sec, F1.6, 50IRE, AGC high), 0.0005Lux (2sec, F1.6, 50IRE, AGC high) Color : 0.05Lux (1/30sec, F1.6, 30IRE), 0.0025Lux (2sec, F1.6, 30IRE) B/W : 0.005Lux (1/30sec, F1.6, 30IRE), 0.00025Lux (2sec, F1.6, 30IRE)	
S / N Ratio	50dB	
Video Output	CVBS : 1.0Vpp / 75Ω composite, 720 x 480(N), 720 x 576(P), for installation	
<b>LENS</b>		
Focal Length (Zoom Ratio)	4.44 ~ 142.6mm (Optical 32x)	
Max. Aperture Ratio	F1.6(Wide) / F4.4(Tele)	
Angular Field of View	H : 56.8°(Wide) ~ 1.99°(Tele) / V : 46.3°(Wide) ~ 1.6°(Tele)	
Min. Object Distance	Wide : 1.5m (4.92ft), Tele : 1.9m (6.23ft)   Wide : 1.5m (4.92ft), Tele : 2m (6.56ft)	
Focus Control	Auto / Manual / One push	
Lens / Mount Type	DC auto iris / Board-in type	
<b>PAN / TILT / ROTATE</b>		
Pan / Tilt Range	360° Endless / 210° (-15° ~ 195°)	
Pan / Tilt Speed	Preset : 700°/sec, Manual : 0.024°/sec ~ 120°/sec	
Sequence	Preset (255ea), Swing, Group (6ea), Trace, Tour (1ea), Auto run, Schedule	
Preset Accuracy	±0.2°	
Azimuth	Yes (E / W / S / N / NE / NW / SE / SW)	
<b>OPERATIONAL</b>		
Camera Title	Off / On (Displayed up to 45 characters)	
Day & Night	Auto (ICR) / Color / B/W	
Backlight Compensation	Off / BLC / WDR	
Wide Dynamic Range	120dB	
Contrast Enhancement	SSDR (Samsung Super Dynamic Range) (Off / On)	
Digital Noise Reduction	SSNRILL (2D+3D noise filter) (Off / On)	
Digital Image Stabilization	Off / On	
Defog	Off / Auto / Manual	
Motion Detection	Off / On (4ea rectangle zone)	
Privacy Masking	Off / On (32 zones of rectangle zone) with zoom threshold mosaic option	
Gain Control	Off / Low / Middle / High	
White Balance	ATW / AWC / Manual / Indoor / Outdoor / Mercury	
Electronic Shutter Speed	Minimum / Maximum / Anti flicker (2 ~ 1/12,000sec)	
Digital Zoom	16x	
Flip / Mirror	Off / On	
Intelligent Video Analytics	Tampering, Virtual line, Enter / Exit, (Dis)Appear, Audio detection, Face detection	
Alarm I/O	Input 4ea / Output 2ea (Relay)	
Remote Control Interface	RS-485	
RS-485 Protocol	Samsung-T/E, Pelco-P/D, Panasonic, Honeywell, AD, Vicon, Bosch, GE	
Alarm Triggers	Motion detection, Tampering, Audio detection, Face detection, Video analytics, Alarm input, Network disconnection	
Alarm Events	File upload via FTP and E-mail, Notification via E-mail, TCP and HTTP, Local storage (SD/SDHC/SDXC) or NAS recording at Alarm triggers, External output	
<b>NETWORK</b>		
Ethernet	RJ-45 (10/100BASE-T)	
Video Compression Format	H.264 (MPEG-4 part 10 / AVC), MJPEG	
Resolution	1280 x 1024, 1280 x 960, 1280 x 720, 1024 x 768, 800 x 600, 800 x 450, 720 x 576, 640 x 480, 640 x 360, 320 x 240, 320 x 180	
Max. Framerate	H.264 : Max. 60fps at all resolutions MJPEG : 1280 x 1024, 1280 x 960, 1280 x 720, 1024 x 768 : Max. 15fps 800 x 600, 800 x 450, 720 x 576, 640 x 480, 640 x 360, 320 x 240, 320 x 180 : Max. 30fps	
Smart Codec	Manual mode (Area-based : 5ea), Face detection mode	
Video Quality Adjustment	H.264 : Compression level, Target bitrate level control, MJPEG : Quality level control	
Bitrate Control Method	H.264 : CBR or VBR, MJPEG : VBR	
Streaming Capability	Multiple streaming (Up to 10 profiles)	
Audio In	Selectable (Mic in / Line in), Supply voltage : 2.5V DC (4mA), Input impedance : approx. 2K Ohm	
Audio Out	Line out (3.5mm mono jack), Max output level : 1Vrms	
Audio Compression Format	G.711 u-law/G.726 selectable, G.726 (ADPCM) 8KHz, G.711 8KHz, G.726 : 16Kbps, 24Kbps, 32Kbps, 40Kbps	
Audio Communication	Bi-directional audio	
IP	IPv4, IPv6	
Protocol	TCP/IP, UDP/IP, RTP(UDP), RTP(TCP), RTCP, RTSP, NTP, HTTP, HTTPS, SSL, DHCP, PPPoE, FTP, SMTP, ICMP, IGMP, SNMPv1/v2c/v3(MIB-2), ARP, DNS, DDNS, QoS, PIM-SM, UPnP, Bonjour	
Security	HTTPS(SSL) login authentication, Digest login authentication IP address filtering, User access log, 802.1x authentication	
Streaming Method	Unicast / Multicast	
Max. User Access	10 users at unicast mode	
Edge Storage	SD/SDHC/SDXC slot for supporting memory card Motion Images recorded in the SD/SDHC/SDXC memory card can be downloaded NAS (Network Attached Storage)	
Application Programming Interface	ONVIF profile S, SUNAPI (HTTP API), SVNP 1.2, Samsung Techwin Open Platform	
Webpage Language	English, French, German, Spanish, Italian, Chinese, Korean, Russian, Japanese, Swedish, Danish, Portuguese, Turkish, Polish, Czech, Rumanian, Serbian, Dutch, Croatian, Hungarian, Greek, Finnish, Norwegian	
Web Viewer	Supported OS : Windows XP / VISTA / 7 / 8, MAC OS X 10.7 Supported Browser : Microsoft Internet Explorer (Ver. 8 ~ 11), Mozilla Firefox (Ver. 9 ~ 19), Google Chrome (Ver. 15 ~ 32), Apple Safari (Ver. 6.0.2(Mac OS X 10.8, 10.7 only), 5.1.7) * Mac OS X only	
Central Management Software	SmartViewer, SSM	
<b>ENVIRONMENTAL</b>		
Operating Temperature / Humidity	24V AC : -50°C ~ +55°C (-58°F ~ +131°F) / Less than ~ 90% RH PoE+ : -30°C ~ +55°C (-22°F ~ +131°F) / Less than 90% RH	
Storage Temperature / Humidity	-30°C ~ +60°C (-22°F ~ +140°F) / Less than 90% RH	
Ingress Protection	IP66	
Vandal Resistance	IK10	
<b>ELECTRICAL</b>		
Input Voltage / Current	24V AC ±10%, PoE+ (IEEE802.3af, Class4) 24V AC : Max. 65W (24V AC heater on & PoE heater on) PoE+ : Max. 25W (24V AC heater off / PoE heater on)	
Power Consumption	Max. 20W	
<b>MECHANICAL</b>		
Color / Material	Ivory / Plastic + Metal	
Dimensions (WxH)	Ø223.4 x 293.6mm (Ø8.8" x 11.56")   Ø152.0 x 218.0mm (Ø5.98" x 8.58")	
Weight	3.2Kg (7.05 lb)   1.8Kg (3.97 lb)	

\* The latest product information / specification can be found at [www.samsungsecurity.com](http://www.samsungsecurity.com)

# WiseNet III Line-ups

	BOX	BULLET	DOME	VANDAL	FISHEYE	PTZ
3MP	 SNB-7004	 SNO-7084R	 SND-7084  SND-7084R	 SNV-7084  SNV-7084R	 SNF-7010  SNF-7010V  SNF-7010VM	
2MP	 SNB-6011  SNB-6010  SNB-6004  SNB-6003  SNZ-6320	 SNO-6084R  SNO-6011R	 SND-6084  SND-6083  SND-6084R  SND-6011R	 SNV-6013  SNV-6012M  SNV-6084  SNV-6084R		 SNP-6321H  SNP-6321
1.3MP	 SNB-5004  SNB-5003	 SNO-5084R	 SND-5084  SND-5083  SND-5084R	 SNV-5084  SNV-5084R		 SNP-5321H  SNP-5321

---

## HEAD OFFICE

6, Pangyo-ro 319beon-gil, Bundang-gu, Seongnam-si,  
Gyeonggi-do, SEOUL 463-400 Rep. of KOREA  
Tel : +82-70-7147-8753, 8764 Fax : +82-31-8018-3740  
[www.samsungsecurity.com](http://www.samsungsecurity.com)

---

## SAMSUNG TECHWIN EUROPE LTD.

2nd Floor, No. 5 The Heights, Brooklands, Weybridge, Surrey,  
KT13 0NY, UK  
Tel : +44-1932-82-6700 Fax : +44-1932-82-6701  
[www.samsungsecurity.co.uk](http://www.samsungsecurity.co.uk)

---

## SAMSUNG TECHWIN AMERICA Inc.

100 Challenger Rd. Suite 700 Ridgely Park, NJ 07660  
Toll Free : +1-877-213-1222 Direct : +1-201-325-6920  
Fax : +1-201-373-0124  
[www.samsung-security.com](http://www.samsung-security.com)

---

## SAMSUNG TECHWIN AMERICA Inc.

### Latin America Branch Office

5200 Blue Lagoon Dr. Ste 210, Miami, FL, 33126  
Tel : +1-305-728-0975 Fax : +1-305-351-8900  
[www.samsung-security.com](http://www.samsung-security.com)

---

## SHANGHAI SAMSUNG TECHWIN CO., LTD.

32F, Blk B, New Caohejing International Business Center,  
No. 391 Guiping Rd., Shanghai, China, 200233  
Tel : +86-21-5427-1155 Fax : +86-21-5423-5122  
[www.samsungsecurity.cn](http://www.samsungsecurity.cn)

© 2015 HANWHA TECHWIN CO., LTD. ALL RIGHTS RESERVED.

DESIGN AND SPECIFICATIONS ARE SUBJECT TO CHANGE WITHOUT NOTICE  
Under no circumstances, this document shall be reproduced, distributed or changed,  
partially or wholly, without formal authorization of Hanwha Techwin Co., Ltd.,  
WiseNet, LiteNet, SSNR are trademarks of Hanwha Techwin Co., Ltd.

