

# Telescopic Pendant Mount

	<b>SBP-302CM</b> Telescopic Pendant Mount	<b>SBP-302CM-150W</b> Extension Pipe, 59.06"	<b>SBP-302CM-50W</b> Extension Pipe, 19.68"
Materials	Aluminum and Steel	Aluminum and Steel	Aluminum and Steel
Dimensions (WxHxD)	Ø1.87" (Ø 47.5mm) Minimum length: 4.5ft (1,372mm) Maximum length: 8.0ft (2,440mm)	Diameter: Ø1.89" (Ø 48.0mm) Length: 59.06" (1500.0mm)	Diameter: Ø1.89" (Ø 48.0mm) Length: 19.68" (500.0mm)
Pipe Thread	1.5" NPT male (top) / 1.5" NPT female (bottom)	11.0 NPT male (bottom) / 11.0 NPT female (top)	11.0 NPT male (top) / 11.0 NPT female (bottom)
Weight	7.56lb (3.43kg)	3.96lb (1.8kg)	1.32lb (0.6kg)
Maximum Load	30lb (13.6kg)	30lb (13.6kg)	30lb (13.6kg)
Color	Ivory	White	White
Applicable Mount	All Hanwha Hanging Mount (1.5" NPT)	All Hanwha Hanging Mount (1.5" NPT)	All Hanwha Hanging Mount (1.5" NPT)
Optional Accessories	SBP-302CMA single joist ceiling mount adapter SBP-302CMB backbox for pendant and ceiling mount SBP-302CM-12 extension pipe, 12" SBP-302CM-36 extension pipe, 36" SBP-302CMS	SBP-302CM telescopic pendant mount SBP-302CMA single joist ceiling mount adapter SBP-302CMB backbox for pendant and ceiling mount SBP-302CM-50W extension pipe, 19.68" SBP-302CMS	SBP-302CM telescopic pendant mount SBP-302CMA single joist ceiling mount adapter SBP-302CMB backbox for pendant and ceiling mount SBP-302CM-150W extension pipe, 59.06" SBP-302CMS
Cable Routing	Cable hole	N/A	N/A

## Optional Accessories



SBP-302CMA



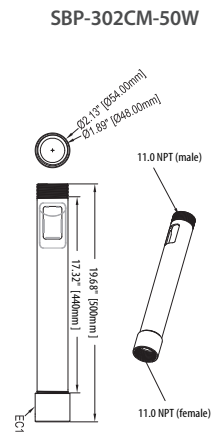
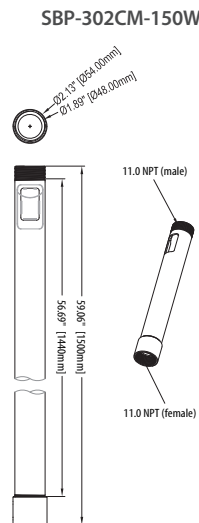
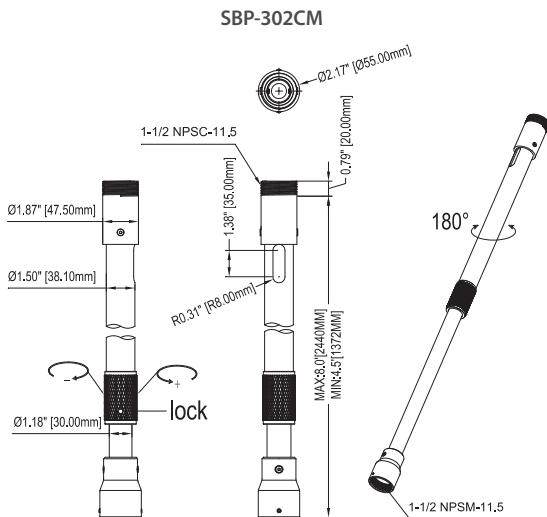
SBP-302CMB



SBP-302CMS

## Dimensions

Unit: inch (mm)



\* Design and specifications are subject to change without notice.