



Network

Dome

XNV-C8083R

6MP AI IR Vandal Dome Camera



Key Features

- 6MP resolution
- 4.4-9.3mm (2.1x) motorized varifocal
- Color: 0.04 Lux (F1.3, 1/30sec, 30IRE), 0 Lux (IR LED on)
- Maximum 30 fps (H.265/H.264)
- WiseIR: IR viewable length 40 m (131.23 ft)
- Day & Night (ICR), extremeWDR (120 dB)
- Hard-coated dome bubble
- WiseNR II (Based on AI engine), WiseStreamIII (Based on AI engine)
- Analytics events based on AI engine (NPU) : Object detection (Person/Face/Vehicle - car, truck, bus, bicycle, motorcycle/License plate), IVA (Virtual line/Area, Enter/Exit, Loitering, Direction, Intrusion)
- Analytics events : Defocus detection, Motion detection, Tampering, Fog detection
Audio detection, Sound classification, Shock detection, Appear/Disappear
- IP66, IP67, NEMA4X, IK10

Compatible Accessories (Optional)



SBP-167HMW



XNV-C8083R

6MP AI IR Vandal Dome Camera

Specifications

Video

Imaging Device	1/1.8" progressive CMOS
Resolution	3328x1872, 3072x1728, 2592x1944, 2688x1520, 1920x1080, 1600x1200, 1280x1024, 1280x960, 1280x720, 1024x768, 800x600, 800x448, 720x576, 720x480, 640x480, 640x360, 320x240
Max. Framerate	H.265/H.264: Max. 30fps/25fps(60Hz/50Hz) MJPEG: Max. 15fps/12fps(60Hz/50Hz)
Min. Illumination	Color: 0.04Lux(F1.3, 1/30sec, 30IRE) B/W : 0.004Lux(F1.3, 1/30sec, 30IRE), 0Lux(IR LED on)
Video Out	USB: Micro USB Type B, 1280x720 for installation

Lens

Focal Length (Zoom Ratio)	4.4~9.3mm(2.1x) motorized varifocal
Max. Aperture Ratio	F1.3(Wide) ~ F2.15(Tele)
Angular Field of View	H : 112.1°(Wide)~47.5°(Tele) V : 58.0°(Wide)~26.6°(Tele) D : 137.5°(Wide)~54.6°(Tele)
Min. Object Distance	0.5m(1.64ft)
Focus Control	Simple focus, Manual
Lens Type	P-iris(IR corrected)

Pan / Tilt / Rotate

Pan / Tilt / Rotate Range	0°~360° / -45°~75° / 0°~355°
---------------------------	------------------------------

Operational

Camera Title	Displayed up to 85 characters
Day & Night	Auto(ICR)
Backlight Compensation	BLC, HLC, WDR, SSSDR
Wide Dynamic Range	extremeWDR (120dB)
Digital Noise Reduction	WiseNR II (Based on AI engine), SSNR V
Digital Image Stabilization	Support(built-in gyro sensor)
Defog	Support
Motion Detection	8ea, 8point Polygonal zones
Privacy Masking	32ea, Quadrangle zones - Color : Gray, Green, Red, Blue, Black, White - Mosaic
Gain Control	Support
White Balance	ATW / Narrow ATW / AWC / Manual / Indoor / Outdoor
LDC	Support (Fill/stretch mode)
Electronic Shutter Speed	Minimum / Maximum / Anti flicker (2~1/12,000sec) prefer shutter control(Based on AI engine)
Video Rotation	Flip, Mirror, Hallway view(90°/270°)
Analytics	- Analytics events based on AI engine : Object detection (Person/Face/Vehicle(car/bus/truck/motorcycle/bicycle)/License plate), IVA (Virtual line/Area, Enter/Exit, Loitering, direction, Appear/Disappear, intrusion) - Analytics events : Defocus detection, Motion detection, Tampering, Fog detection, Audio detection, Sound classification, Shock detection
Business Intelligence	Based on AI engine : People counting, Queue management, Heatmap
Alarm I/O	2 configurable I/O ports

Alarm Triggers	Analytics, Network disconnect, Alarm input, App event, Time schedule
Alarm Events	When alarm trigger occurred - File upload(image) : e-mail/FTP - Notification : e-mail - Recording : SD/SDHC/SDXC or NAS recording at event triggers - Alarm output - Handover(PTZ preset, Send message by HTTP/HTTPS/TCP) - Audio clip playback
Audio In	Selectable(mic in/line in) Supply voltage: 2.5VDC(4mA), Input impedance: 2K Ohm
Audio Out	Line out, Max.output level: 1Vrms
IR Viewable Length	WiselR 40m(131.23ft)

Network

Ethernet	Metal shielded RJ-45(10/100BASE-T)
Video Compression	H.265/H.264: Main/High, MJPEG
Audio Compression	G.711 u-law /G.726 Selectable G.726(ADPCM) 8KHz, G.711 8KHz G.726: 16Kbps, 24Kbps, 32Kbps, 40Kbps AAC-LC: 48Kbps at 16KHz
Smart Codec	Manual(5ea area), WiseStream II, WiseStreamIII(Based on AI engine)
Bitrate Control	H.264/H.265: CBR or VBR MJPEG: VBR
Streaming	Unicast(20 users) / Multicast Multiple streaming(Up to 10 profiles, 3 virtual channel support)
Protocol	IPv4, IPv6, TCP/IP, UDP/IP, RTP(UDP), RTP(TCP), RTCP,RTSP, NTP, HTTP, HTTPS, SSL/TLS, DHCP, FTP, SMTP, ICMP, IGMP, SNMPv1/v2c/v3(MIB-2), ARP, DNS, DDNS, QoS, UPnP, Bonjour, LLDP, SRTP (TCP, UDP Unicast)
Security	HTTPS(SSL) Login Authentication Digest Login Authentication IP Address Filtering User access log 802.1X Authentication(EAP-TLS, EAP-LEAP, EAP-PEAP MSCHAPv2) Device Certificate(Hanwha Techwin Root CA, pre-installed) Secure by default certificate HTPM (Hanwha Trusted platform module) Secure OS/Boot/Storage, Verify firmware forgery CyberSecurity assurance program UL CAP (UL 2900-1)
Application Programming Interface	ONVIF Profile S/G/T SUNAPI(HTTP API) Wisenet open platform

General

Webpage Language	English, Korean, Chinese, French, Italian, Spanish, German, Japanese, Russian, Swedish, Portuguese, Czech, Polish, Turkish, Dutch, Greek, Hungarian
Edge Storage	Micro SD/SDHC/SDXC 1slot 512GB
Memory	4GB RAM, 512MB Flash

Environmental & Electrical

Operating Temperature / Humidity	-40°C~+55°C(-40°F ~ +131°F) * Maximum temperature : +60°C (intermittent) * Start up should be done at above -20°C NEMA TS-2 : 74°C 0~95%RH(non-condensing) Humidity control /w GORE vent
Storage Temperature / Humidity	-50°C ~ +60°C(-58°F ~ +140°F) / Less than 90% RH
Certification	IP66/IP67/NEMA4X, IK10
Input Voltage	PoE(IEEE802.3af, Class3), 12VDC
Power Consumption	PoE: Max 12.95W, typical 11.2W 12VDC: Max 13.2W, typical 10.8W

Mechanical

Color / Material	White / Aluminum Hard-coated dome bubble
RAL Code	RAL9003
Product Dimensions / Weight	Ø160x118mm(Ø6.30x4.65"), 1450g(3.20 lb)

Compatible Conduit hole / Gangbox	1/2" (M20) single, double, 4" octagon, 4" square
--	---

Hanging Mount (Dome)	SBP-167HMW
-----------------------------	------------

DORI (EN62676-4 standard)

Detect (25PPM/ 8PPF)	Wide: 44.8m(147.02ft) / Tele: 151.3m(496.29ft)
-----------------------------	--

Observe (63PPM/ 19PPF)	Wide: 17.9m(58.81ft) / Tele: 60.5m(198.52ft)
-------------------------------	--

Recognize (125PPM/ 38PPF)	Wide: 9.0m(29.4ft) / Tele: 30.3m(99.26ft)
----------------------------------	---

Identify (250PPM/ 76PPF)	Wide: 4.5m(14.7ft) / Tele: 15.1m(49.63ft)
---------------------------------	---

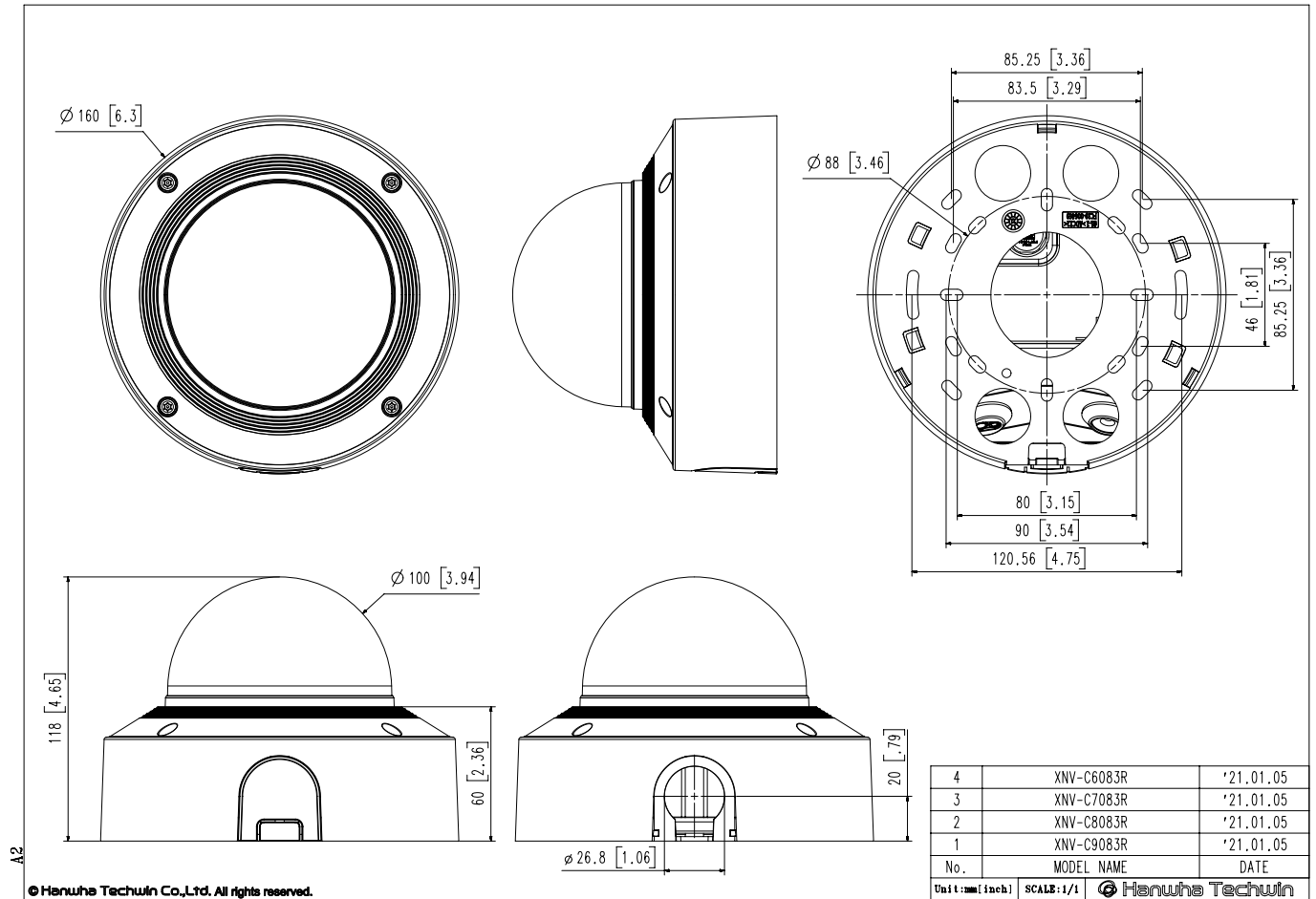
XNV-C8083R

6MP AI IR Vandal Dome Camera



CAD

Unit: mm [inch]



© Hanwha Techwin Co., Ltd. All rights reserved.