



Network

PTZ

XNP-6400

2MP 40x PTZ Camera



Key Features

- Max. 2MP resolution
- 4.25~170mm (40x) zoom (digital 32x, total 1280x zoom)
- Day & Night (ICR), extreme WDR, DIS (Built-in gyro sensor)
- Intelligent Analytics, Object auto tracking (Person/Vehicle), Target lock tracking
- H.264, H.265, MJPEG codec, WiseStream II
- IP66, IK10, NEMA4X, NEMA-TS 2 (2.2.8, 2.2.9)
- PTZ PLUS Design applied (Compact, Lighter, Simple cabling)

Compatible Accessories (Optional)



SBP-300LMW



SBP-156HMW



SBP-300WMW1



SPM-4210



SBP-156LMW



SBP-300KMW



SBP-300BW



SBP-300PMW



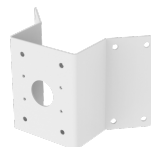
SPB-PTZ85W



SBP-156WMW



SBP-300WMW



SBP-156KMW



SBP-156CMW



SBP-300CMW

XNP-6400

2MP 40x PTZ Camera



Specifications

| Video | |
|-----------------------------|---|
| Imaging Device | 1/2.8" CMOS |
| Resolution | 1920x1080, 1280x1024, 1280x960, 1280x720, 1024x768, 800x600, 800x448, 720x576, 720x480, 640x480, 640x360, 320x240 |
| Max. Framerate | H.265/H.264: Max. 60fps/50fps(60Hz/50Hz) MJPEG: Max. 30fps/25fps(60Hz/50Hz) |
| Min. Illumination | Color: 0.05Lux(F1.6, 1/30sec) BW: 0.005Lux(F1.6, 1/30sec) |
| Lens | |
| Focal Length (Zoom Ratio) | 4.25~170mm(40x) zoom (digital 32x, total 1280x zoom) |
| Max. Aperture Ratio | F1.6(Wide)~F4.95(Tele) |
| Angular Field of View | H: 65.66°(Wide)~1.88°(Tele) / V: 39.40°(Wide)~1.09°(Tele) |
| Min. Object Distance | 5m(16.4ft) |
| Focus Control | Oneshot AF, Focus save |
| Lens Type | DC auto iris |
| Pan / Tilt / Rotate | |
| Pan Range | 360° Endless |
| Pan Speed | Max. 700°/sec, Manual: 0.024°/sec~250°/sec |
| Tilt Range | 110°(90°~-20°) |
| Tilt Speed | Max. 500°/sec, Manual: 0.024°/sec~250°/sec |
| Sequence | Preset(300ea), Swing, Group(6ea), Trace, Tour, Auto Run, Schedule |
| Preset Accuracy | Up to ±0.1°, Pan/Tilt correction |
| Operational | |
| Camera Title | Displayed up to 85 characters |
| Direction Indicator | Support |
| Day & Night | Auto(ICR)/Color/BW/Schedule |
| Backlight Compensation | BLC, HLC, WDR, SSSDR |
| Wide Dynamic Range | Extreme WDR(150dB) |
| Digital Noise Reduction | SSNR V |
| Digital Image Stabilization | Support(built-in gyro sensor) |
| Defog | Support |
| Motion Detection | 8ea, 8point polygonal zones |
| Privacy Masking | 32ea, Quadrangle Support - Color: Grey/Green/Red/Blue/Black/White - Mosaic |
| Gain Control | Low / Middle / High |
| White Balance | ATW / AWC / Manual / Indoor / Outdoor |

Design and specifications are subject to change without notice. The latest product information / specification can be found at HanwhaVision.com

Hanwha Vision is formerly known as Hanwha Techwin.

| | |
|--------------------------|---|
| Electronic Shutter Speed | Minimum / Maximum / Anti flicker (2~1/12,000sec) |
| Video Rotation | Flip, Mirror |
| Analytics | Directional detection, Fog detection, Face detection, Motion detection, Appear/Disappear, Enter/Exit, Loitering, Tampering, Virtual line, Shock detection * Audio detection, Sound classification(with NW I/O Box) |
| Alarm Triggers | Analytics, Network disconnect * Alarm input(with NW I/O Box) |
| Alarm Events | File upload via FTP and e-mail Notification via e-mail SD/SDHC/SDXC or NAS recording at event triggers PTZ Preset Handover * Alarm output(with NW I/O Box) |
| Water Removal | Support(Spin dry, Lens heater) |
| Auto Tracking | Object auto tracking(Person/Vehicle), Target lock tracking |

Network

| | |
|-----------------------------------|---|
| Ethernet | Metal shielded RJ-45(10/100BASE-T) |
| Video Compression | H.265/H.264: Main/Baseline/High, MJPEG |
| Smart Codec | Manual(5ea area), WiseStream II |
| Bitrate Control | H.264/H.265: CBR or VBR MJPEG: VBR |
| Streaming | Unicast(20 users) / Multicast (128 user) Multiple streaming(Up to 10 profiles) |
| Protocol | IPv4, IPv6, TCP/IP, UDP/IP, RTP(UDP), RTP(TCP), RTCP, RTSP, NTP, HTTP, HTTPS, SSL/TLS, DHCP, FTP, SMTP, ICMP, IGMP, SNMPv1/v2c/v3(MIB-2), ARP, DNS, DDNS, QoS, PIM-SM, UPnP, Bonjour, LLDP, SRTP, NTCIP |
| Security | HTTPS(SSL) Login Authentication Digest Login Authentication IP Address Filtering User access log 802.1X Authentication(EAP-TLS, EAP-LEAP) Device certificate(Hanwha Techwin Root CA) |
| Application Programming Interface | ONVIF Profile S/G/T SUNAPI(HTTP API) Wisenet open platform |

General

| | |
|------------------|---|
| Webpage Language | English, Korean, Chinese, French, Italian, Spanish, German, Japanese, Russian, Swedish, Portuguese, Czech, Polish, Turkish, Dutch, Hungarian, Greek |
| Edge Storage | Micro SD/SDHC/SDXC 2slot 1TB |
| Memory | 4GB RAM, 512MB Flash |

Environmental & Electrical

| | |
|----------------------------------|--|
| Operating Temperature / Humidity | -40°C~+50°C (-40°F ~ +122°F) / +74°C/+165°F (MAX) based on NEMA-TS 2(2.2.7) * Start up should be done at above -30°C Less than 95% RH(Non-condensing) |
| Storage Temperature / Humidity | -50°C ~ +60°C (-58°F ~ +140°F) / Less than 90% RH |
| Certification | IP66, IK10, NEMA4X, NEMA-TS 2(2.2.8, 2.2.9) |
| Input Voltage | PoE+(IEEE802.3at, Class4) |
| Power Consumption | Typical 20W, Max 25W |

Mechanical

| | |
|------------------|---|
| Color / Material | Body : White / Aluminum Head : Black / Polycarbonate Hard-coated dome |
| RAL Code | White: RAL9003 / Black: RAL9005 |

Design and specifications are subject to change without notice. The latest product information / specification can be found at HanwhaVision.com

Hanwha Vision is formerly known as Hanwha Techwin.

XNP-6400

| | |
|-----------------------------|--|
| Product Dimensions / Weight | ø158x293.3mm(6.22x11.55") / 3200g(7.05lb) |
| Hanging Mount (Dome) | SBP-156HMW |
| Ceiling Mount (Assy) | SBP-156CMW, SBP-300CMTS, SBP-300CMW1/900CMW, SBP-150CMI/300CMI |
| Wall Mount | SBP-156WMW, SBP-390WMW2 |
| Pole Mount | SBP-300PMW2 |
| In-ceiling Mount | SHP-1563FPW, SHP-1563FW |
| Parapet Mount | SBP-156LMW, SBP-156LMW1, SBP-300LMW |
| Corner Mount | SBP-156KMW, SBP-300KMW1 |
| Cabinet | SBP-300NBW |
| Other Compatible Models | SPB-PTZ85W |

DORI (EN62676-4 standard)

| | |
|---------------------------|--|
| Detect (25PPM/ 8PPF) | Wide: 59.5m(195.3ft) / Tele: 2340.4m(7678.4ft) |
| Observe (63PPM/ 19PPF) | Wide: 23.8m(78.1ft) / Tele: 936.2m(3071.4ft) |
| Recognize (125PPM/ 38PPF) | Wide: 11.9m(39.1ft) / Tele: 468.1m(1535.7ft) |
| Identify (250PPM/ 76PPF) | Wide: 6.0m(19.5ft) / Tele: 234.0m(767.8ft) |

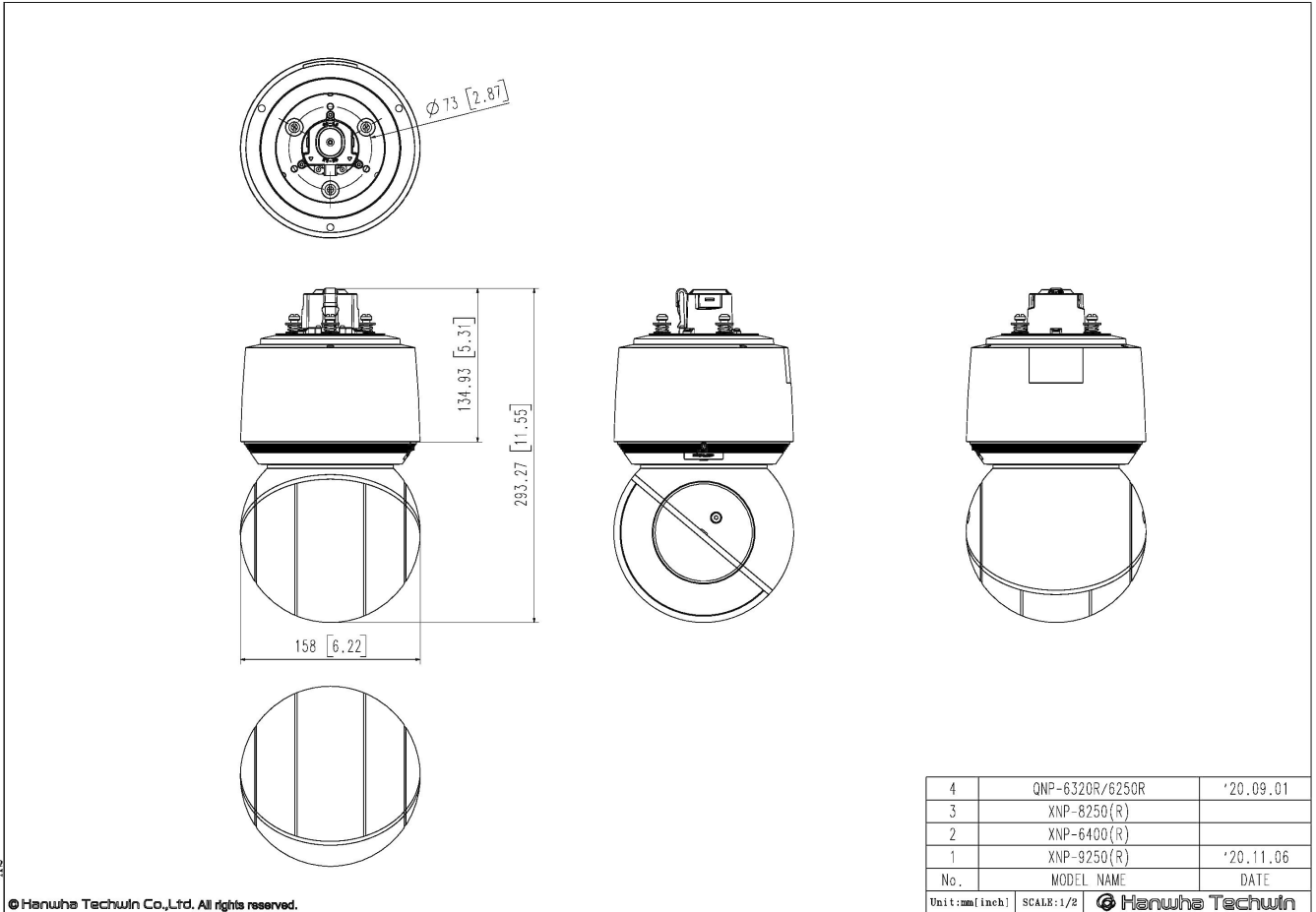
XNP-6400

2MP 40x PTZ Camera



CAD

Unit:mm [inch]



A2

© Hanwha Techwin Co.,Ltd. All rights reserved.