



# SPI-BBW0

BCR Camera LED module

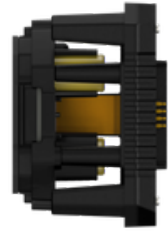
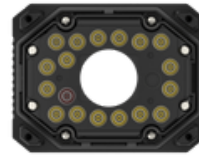


## Key Features

- Blue LED Module for 3MP BCR Camera
- Power Consumption: 6.9 W
- LED Quantity: 16EA
- IP66/IP67(camera and front cover must be assembled)
- Operating Temperature / Humidity: -40°C~+55°C / 0~95% RH
- Compatible Camera: TNS-7000M  
Compatible Lens: SLM-5M06

# SPI-BBW0

BCR Camera LED module



## Specifications

### Environmental

Operating Temperature / Humidity	-40°C~+55°C / 0~95% RH
Storage Temperature / Humidity	-40°C ~ +60°C / Less than 95% RH
Certification	FCC, UL, CE, KC, IEC 62471 IP66/IP67(camera and front cover must be assembled)

### Electrical

Input Voltage	24 VDC $\pm$ 10%
Power Consumption	6.9 W

### Mechanical

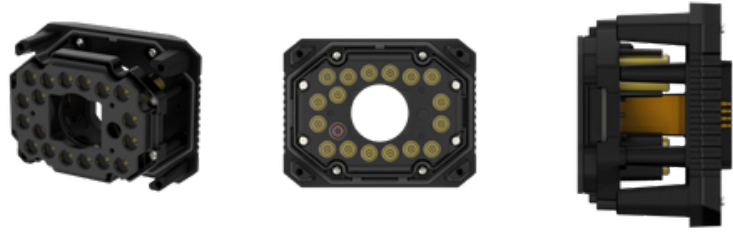
Product dimensions / weight	W101.2 x D53.8 x H78.2 / 200g
Supported products	TNS-7000M

### LED

Wavelength	455nm
Quantity	16EA
Angle	FWHM : 60° 10~% : 88°

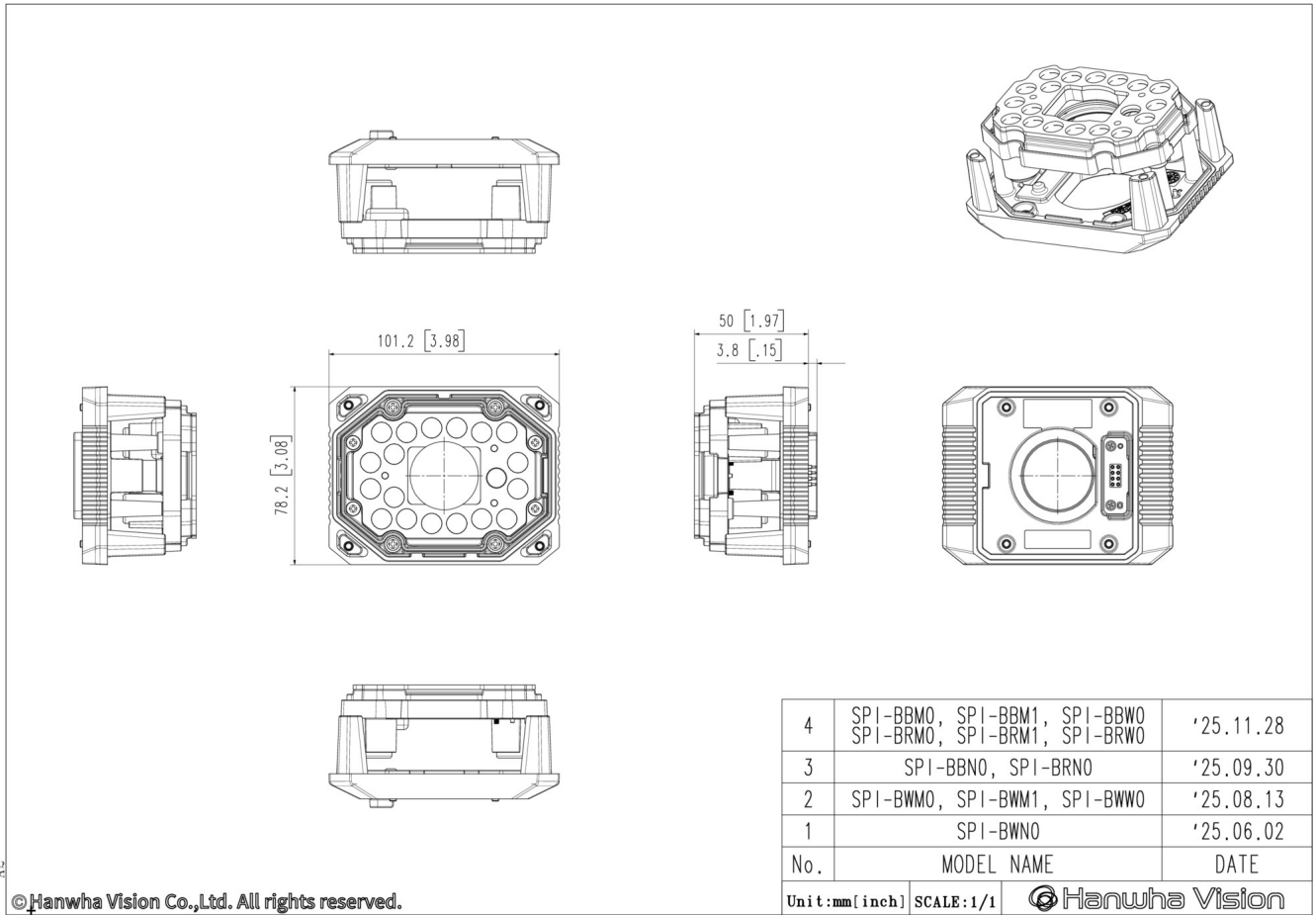
# SPI-BBW0

BCR Camera LED module



## CAD

Unit: mm [inch]



© Hanwha Vision Co., Ltd. All rights reserved.