



Network

Dome

# QNV-C8012

5MP Vandal Dome Camera



## Key Features

- Max. 5MP resolution
- Max. 30fps
- Color: 0.05Lux(F2.0, 1/30sec), BW: 0.005Lux(F2.0, 1/30sec, 30IRE)
- Focal length: 2.4mm fixed focal
- H.265, H.264, MJPEG codec supported
- Multiple streaming up to 5 profiles
- Day & Night (ICR), WDR (120dB)
- Micro SD/SDHC/SDXC 1 slot 256GB
- IP66, IK10, NEMA4X

# QNV-C8012

5MP Vandal Dome Camera



## Specifications

### Video

Imaging Device	1/2.8" CMOS
Resolution	2592x1944, 2560x1440, 1920x1080, 1280x960, 1280x720, 800x600, 800x448, 720x576, 720x480, 640x480, 640x360, 320x240
Max. Framerate	H.265/H.264: Max. 30fps/25fps(60Hz/50Hz) MJPEG: Max. 30fps(@5MP Max. 5fps)
Min. Illumination	Color: 0.05Lux(F2.0, 1/30sec, 30IRE) BW: 0.005Lux(F2.0, 1/30sec, 30IRE)
Video Out	USB: Micro USB Type B, 1280x720 for installation

### Lens

Focal Length (Zoom Ratio)	2.4mm fixed focal
Max. Aperture Ratio	F2.0
Angular Field of View	H: 123° / V: 91° / D: 159°
Min. Object Distance	0.5m (1.64ft)
Focus Control	Fixed
Lens Type	Fixed IRIS
Mount Type	M12

### Pan / Tilt / Rotate

Pan / Tilt / Rotate Range	0°~350° / -35°~70° / 0°~355°
---------------------------	------------------------------

### Operational

Camera Title	Displayed up to 85 characters
Day & Night	Auto(ICR)
Backlight Compensation	BLC, WDR, SDDR
Wide Dynamic Range	120dB
Digital Noise Reduction	SSNR V, WiseNR II (Based on AI engine)
Motion Detection	8ea, 8point polygonal zones
Privacy Masking	32ea, 4point quadrangle zones
Gain Control	Low / Middle / High
White Balance	ATW / AWC / Manual / Indoor / Outdoor
LDC	Support
Electronic Shutter Speed	Minimum / Maximum / Anti flicker (1/5~1/12,000sec)
Video Rotation	Flip, Mirror, Hallway view(90°/270°)

Analytics	Classified object type: Person/Vehicle Attributes: Vehicle(Type:car/bus/truck/motorcycle/bicycle) Support DetectionShot Analytics events based on AI engine - Motion detection*, Object detection, Virtual line*(Crossing/Direction), Virtual area*(Loitering/Intrusion/Enter/Exit) Analytics events - Defocus detection, Tampering, Virtual area(Appear/Disappear)  * Some of the video analytics only works with people and vehicle detection
Business Intelligence	Based on AI engine: People counting, Vehicle counting, Queue management, Heatmap
Alarm Triggers	Analytics, Network disconnect
Alarm Events	When alarm trigger occurred - File upload(image) : e-mail/FTP - Notification : e-mail - Recording : SD/SDHC/SDXC or NAS recording at event triggers - Handover(PTZ preset, Send message by HTTP/HTTPS/TCP)
<b>Network</b>	
Ethernet	RJ-45(10/100BASE-T)
Video Compression	H.265/H.264: Main/High, MJPEG
Smart Codec	Manual(5ea area), WiseStreamIII(Based on AI engine)
Bitrate Control	H.264/H.265: CBR or VBR MJPEG: VBR
Streaming	Unicast(20 users) / Multicast Multiple streaming(Up to 5 profiles)
Protocol	IPv4, IPv6, TCP/IP, UDP/IP, RTP(UDP), RTP(TCP), RTCP, RTSP, NTP, HTTP, HTTPS, SSL/TLS, DHCP, FTP, SMTTP, ICMP, IGMP, SNMPv1/v2c/v3(MIB-2), ARP, DNS, DDNS, QoS, UPnP, Bonjour, LLDP, CDP, SRTP (TCP, UDP Unicast)
Application Programming Interface	ONVIF Profile S/G/T/M SUNAPI(HTTP API)
<b>Security</b>	
OS / Firmware Protect	Secure boot, Signed firmware, Firmware encryption
User authentication	Digest Authentication, Prevent brute-force attack
Network authentication	802.1X Authentication(EAP-TLS, EAP-LEAP, EAP-PEAP MSCHAPv2)
Secure Communication	HTTPS, SRTP, WSS(Websocket secure)
Access Control	Access control based on IP address
Data Protect	Authentication information encryption, ZIP compression encryption
Audit	User Access/System/Event log management
Device ID	Device Certificate(Hanwha Private Root CA)
Secure Storage	SDcard partition encrypt
Security Certificate	Secure by default
<b>General</b>	
Webpage Language	English, Korean, Chinese, French, Italian, Spanish, German, Japanese, Russian, Portuguese, Czech, Polish, Turkish, Dutch, Hungarian, Greek
Edge Storage	Micro SD/SDHC/SDXC 1slot 256GB
Memory	2GB RAM, 1GB Flash
<b>Environmental &amp; Electrical</b>	
Operating Temperature / Humidity	-40°C~+55°C(-40°F~+131°F) / 0~95% RH * Start up should be done at above -30°C Humidity control /w Air vapor control
Storage Temperature / Humidity	-50°C~+60°C(-58°F~+140°F) / 0~95% RH
Certification	IP66, IK10, NEMA4X

Design and specifications are subject to change without notice. The latest product information / specification can be found at [HanwhaVision.com](http://HanwhaVision.com)

Hanwha Vision is formerly known as Hanwha Techwin.

## QNV-C8012

Input Voltage	PoE(IEEE802.3af, Class3)
Power Consumption	PoE: Max 7W, typical 4.9W

### Mechanical

Color / Material	White / Aluminum Bubble : Hard-coated dome
RAL Code	RAL9003
Product Dimensions / Weight	ø110x77mm(ø4.33x3.03"), 522g(1.15 lb)
Compatible Conduit hole / Gangbox	SBD-110GP1 : Single, Double, 4" Octagon (Sold seperately)
Hanging Mount (Dome)	SBP-120HMW
Backbox	SBV-140BW

### Certifications & Standards

EMC	FCC 47 CFR 15 Subpart B Class A ICES-3(A)/NMB-3(A) CE/UKCA - EN 55032 Class A, EN 50130-4, EN 61000-3-2, EN 61000-3-3 VCCI CISPR 32 Class A RCM AS/NZS CISPR 32 Class A KS C 9832 Class A , KS C 9835
Safety	UL 62368-1, CAN/CSA C22.2 NO. 62368-1 IEC/EN 62471
Environment	IEC/EN 63000 IEC/EN 60529 IP66, IEC/EN 62262 IK10

### DORI (EN62676-4 standard)

Detect (25PPM/ 8PPF)	28.1m(92.35ft)
Observe (63PPM/ 19PPF)	11.3m(36.94ft)
Recognize (125PPM/ 38PPF)	5.6m(18.47ft)
Identify (250PPM/ 76PPF)	2.8m(9.23ft)

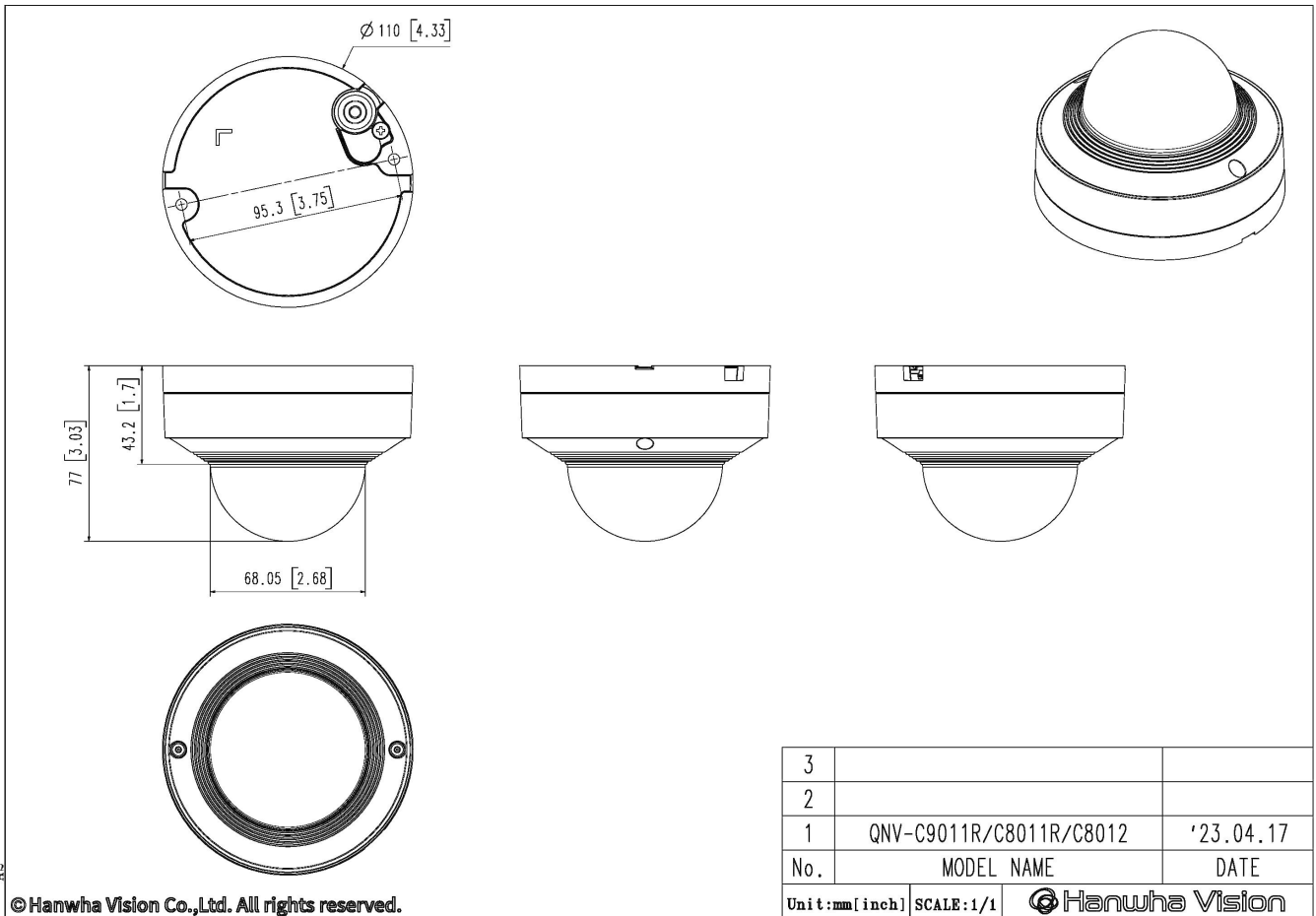
# QNV-C8012

5MP Vandal Dome Camera



CAD

Unit:mm [inch]



© Hanwha Vision Co.,Ltd. All rights reserved.