

# 4MP Fixed Dome Network Camera

IPC-T114-PF28(40)-M



## Key Features

### Optics

- Day/night functionality
- Smart IR, up to 30m (98ft) IR distance
- 2D/3D DNR (Digital Noise Reduction)

### Compression

- Ultra 265, H.265, H.264, MJPEG
- ROI (Region of Interest)

### Network

- ONVIF Conformance

### Structure

- Wide temperature range: -30°C ~ 60°C (-22°F ~ 140°F)

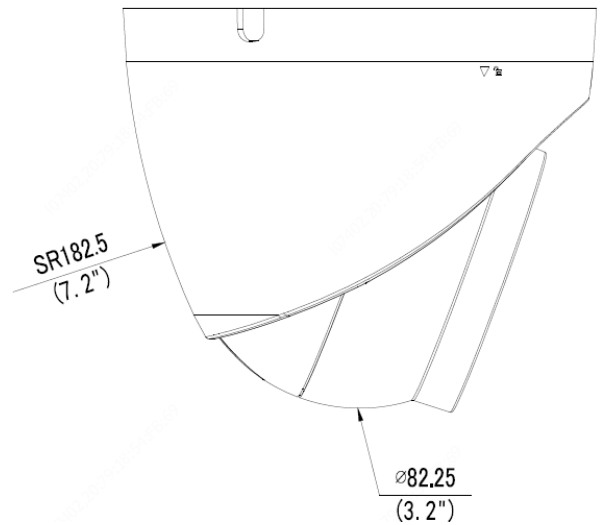
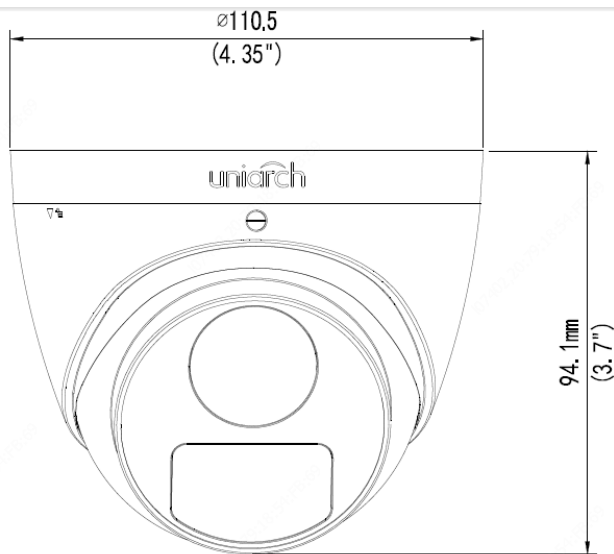
- Wide voltage range of  $\pm 25\%$
- IP67
- 3-Axis

## Specifications

	IPC-T114-PF28-M	IPC-T114-PF40-M			
<b>Camera</b>					
Sensor	1/2.7", progressive scan, CMOS				
Lens	2.8mm@F2.0		4.0mm@F2.0		
DORI Distance	Lens (mm)	Detect (m)	Observe (m)	Recognize (m)	Identify (m)
	2.8	56.0	22.4	11.2	5.6
	4.0	80.0	32.0	16.0	8.0
Angle of View (H)	112.7°		86.5°		
Angle of View (V)	60.1°		44.1°		
Angle of View (O)	146.5°		106.4°		
Adjustment angle	Pan: 0° ~ 360°		Tilt: 0° ~ 80°		Rotate: 0° ~ 360°
Shutter	Auto/Manual, 1 ~ 1/100000s				
Minimum Illumination	Colour: 0.02Lux (F2.0, AGC ON) 0Lux with IR on				
Digital noise reduction	2D/3D DNR				
Day/Night	IR-cut filter with auto switch (ICR)				
S/N	>52dB				
IR Range	Up to 30m (98ft) IR range				
Defog	Digital Defog				
WDR	DWDR				
<b>Video</b>					
Video Compression	Ultra 265, H.265, H.264, MJPEG				
H.264 code profile	Baseline profile, Main Profile				
Frame Rate	Main Stream: 4MP (2560*1440), Max 20fps; 1080P (1920*1080), Max 20fps; Sub Stream: 720P (1280*720), Max 20fps				
HLC	Supported				
BLC	Supported				
OSD	Up to 4 OSDs				
Privacy Mask	Up to 4 areas				
ROI	Up to 2 areas				
Motion Detection	Up to 4 areas				
<b>Network</b>					
Protocols	IPv4, IGMP, ICMP, ARP, TCP, UDP, DHCP, RTP, RTSP, RTCP, DNS, DDNS, NTP, FTP, UPnP, HTTP, HTTPS, SMTP, SSL, QoS, RTMP				
Compatible Integration	ONVIF (Profile S, Profile T), API				
<b>Interface</b>					
Network	10/100M Base-TX Ethernet				
<b>General</b>					
Power	DC 12V $\pm 25\%$ , PoE (IEEE 802.3af)				

	Power consumption: Max 4.5W
Dimensions (Ø x H)	Ø110.5 x 94.1mm (Ø4.35" x 3.7")
Weight	0.42kg (0.93lb)
Working Environment	-30°C ~ 60°C (-22°F ~ 140°F), Humidity: ≤95% RH (non-condensing)
Ingress Protection	IP67

## Dimensions



[www.uniview.com/uniarch](http://www.uniview.com/uniarch)

©2019 Zhejiang Uniview Technologies Co., Ltd. All rights reserved.

\*Product specifications and availability are subject to change without notice.