



Panasonic IP Intercom Systems

SINGLE HOME APPLICATION





Door Station

VL-VN1500AZ

Pure IP door station with a wide-angle camera and RFID reader. Simple and sleek design.

Main Features

- **Wide-angle camera**
 - Wide view of 113° degrees (horizontal), 69° degrees (vertical)
 - 1.3 M pixels provide a clear image
- **E-lock unlocking function**
 - Unlock the individual doors by using an IC card (Built-in MIFARE RFID)
- * Relay box is required when connecting an E-lock to the door station. (VL-RLY1 is sold separately)
- **Standard PoE is supported**
 - Power can be supplied via Ethernet cable (PoE)
 - Power Supply Unit also available (VL-PS240 is sold separately)

Other Features

- Night vision with white coloured LED lights
- Theft detection buzzer

Room Monitor

VL-MN1000AZ

Pure IP room monitor with 7-inch wide LCD and touch screen.

Main Features

- **7-inch wide LCD with capacitive touch screen**
 - Provides a clear image on the wide screen
 - Accurate and smooth operation via a capacitive touch screen
- **IP camera monitor**
 - Monitors various areas using a Panasonic Network Camera (Supported devices: Panasonic i-PRO series, E-series)
- **Standard PoE is supported**
 - Power can be supplied via Ethernet cable (PoE)
 - Power Supply Unit also available (VL-PS240 is sold separately)

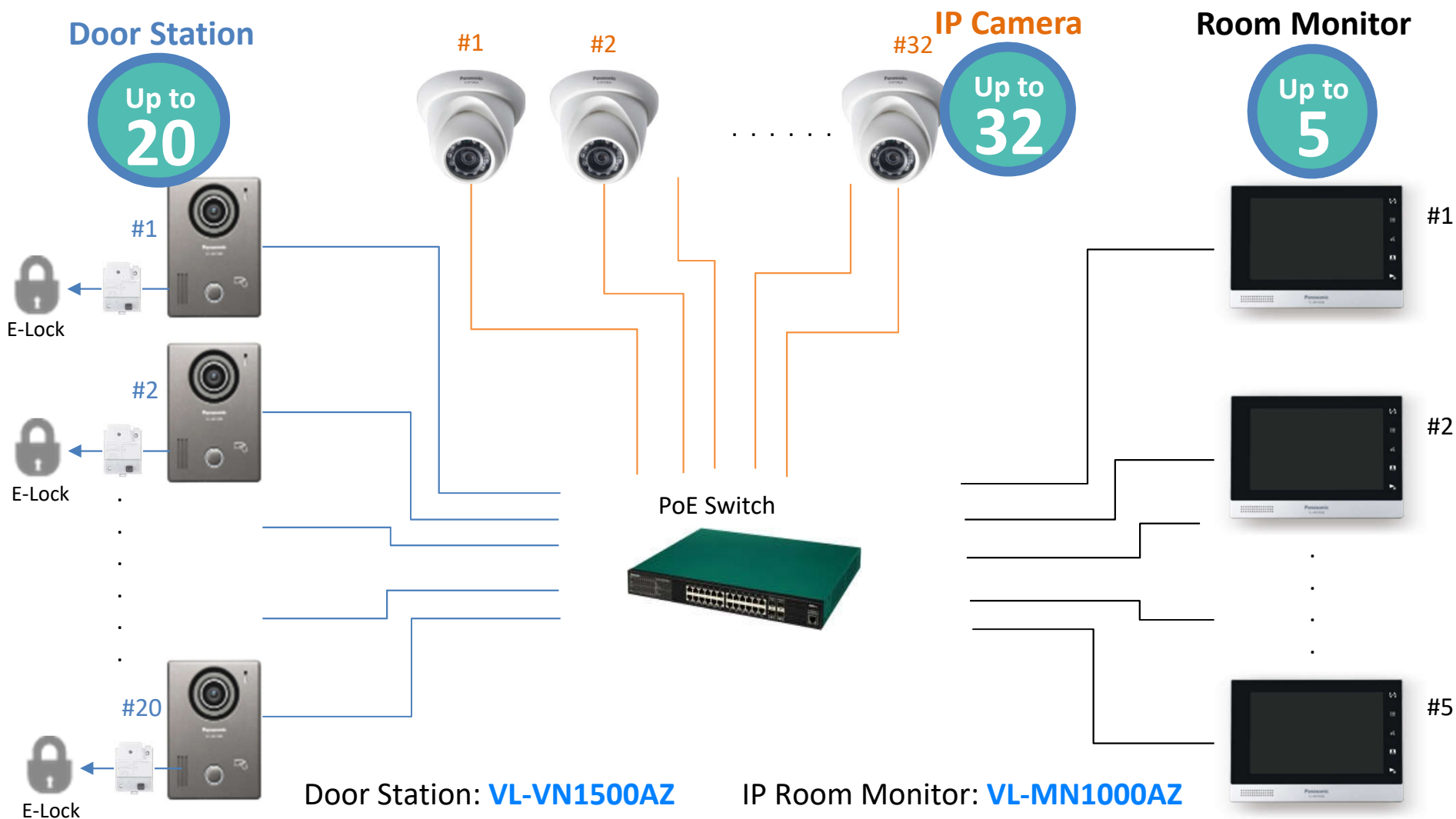
Other Features

- Video messages from the Lobby Station: up to most recent 50
- Manual recording (videos): up to most recent 50
- Auto/manual recording (still images): up to most recent 100
- E-lock unlocking (both individual and public doors)
- 5 sensor inputs (emergency/urgency button and other sensors) and 1 door bell input

Single Home Panasonic IP intercom systems

System Diagram

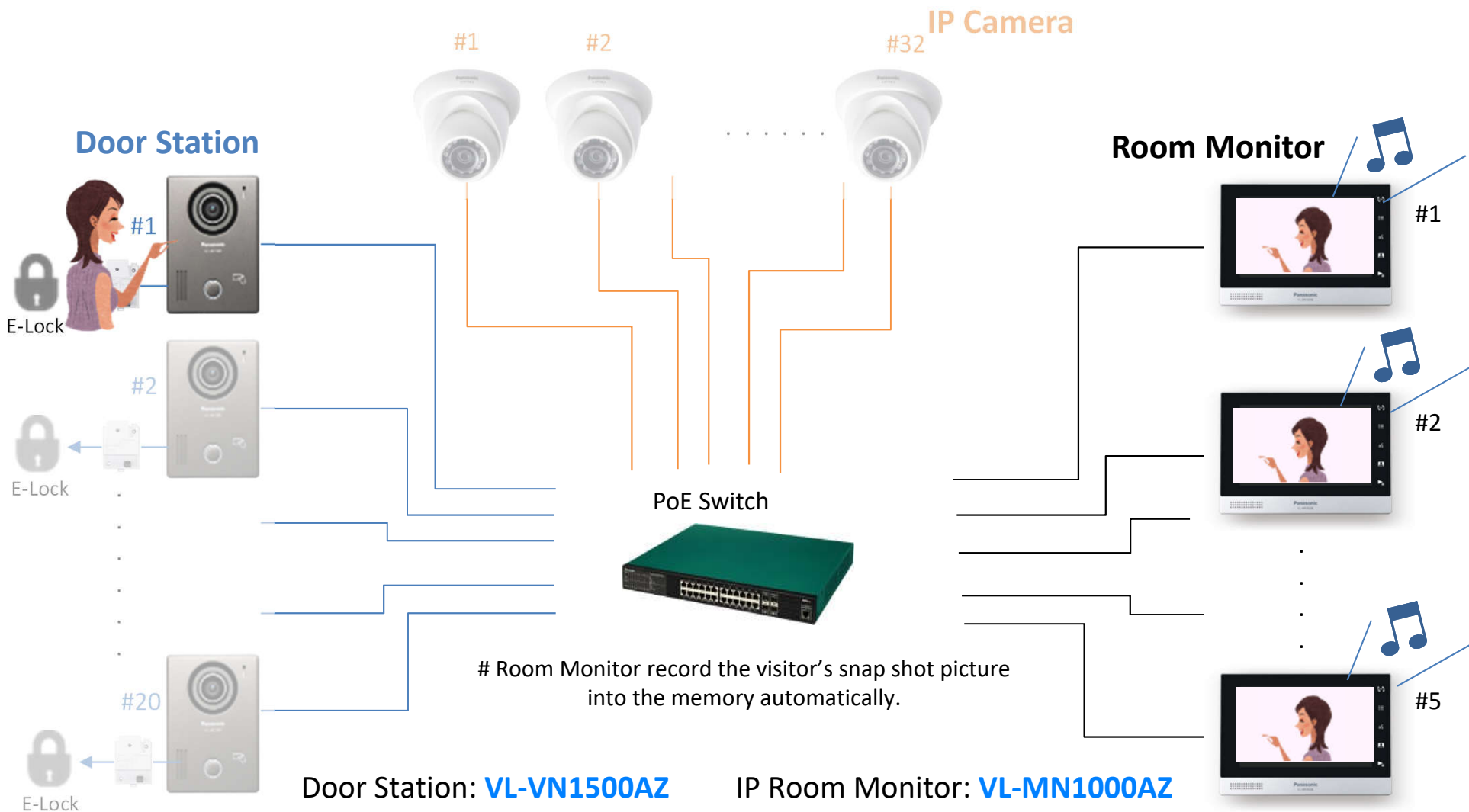
- It is a simple system without Lobby Station.



Single Home Panasonic IP intercom systems

Usage 1 : Calling from Door Station

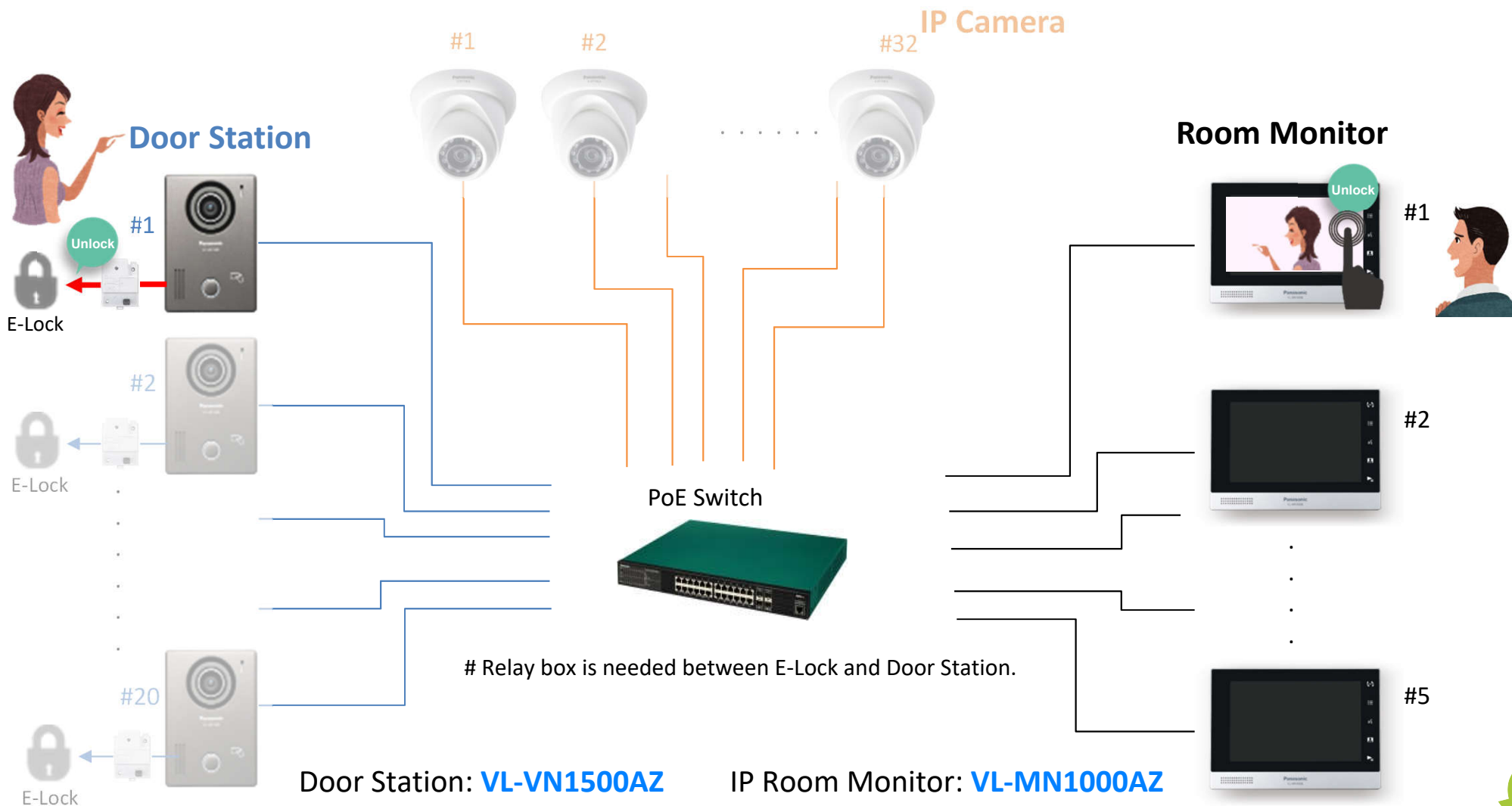
- Up to 5 Room Monitors are ringing at the same time



Single Home Panasonic IP intercom systems

Usage 2 : Talking between Door Station and Room Monitor

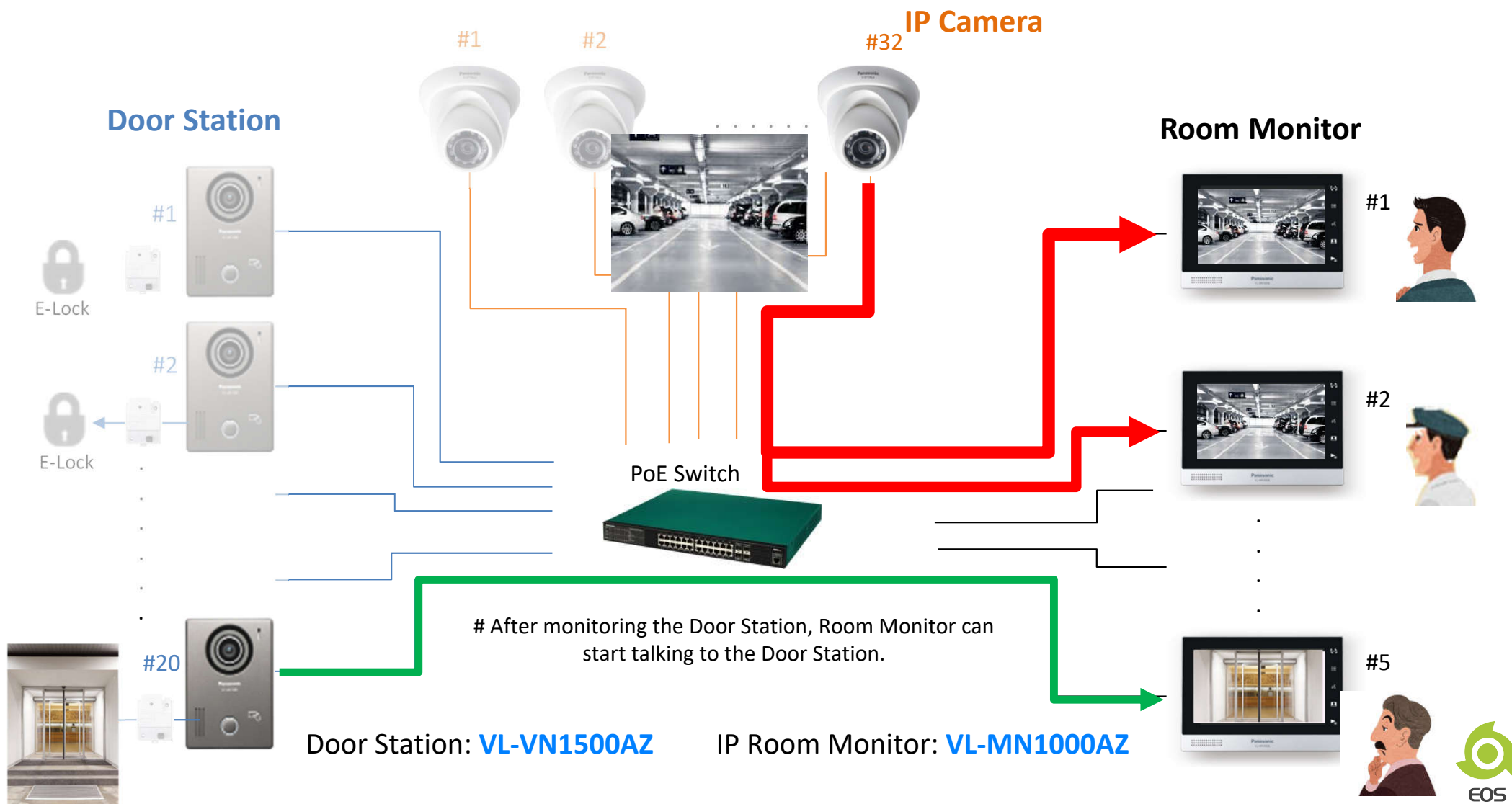
- Room Monitor can check the visitors face and unlock the E-Lock.



Single Home Panasonic IP intercom systems

Usage 3 : Monitoring the Door Station and IP Camera

- It can support multiple monitoring.



Single Home Panasonic IP intercom systems

Usage 4 : Flash the card and unlock the E-Lock

- When unlocking, Date and Card information are recorded into the log file.

