

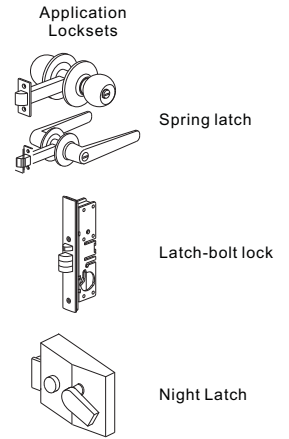
Electric Strike Installation Instruction

GK300 Series

Specification

Operating Voltage	12 VDC, 24 VDC, 12/24VDC
Voltage Tolerance	±15%
Current Draw	250 mA/12 VDC 150 mA/24 VDC
Operating Temperature	-10°C~+45°C
Humidity	0~95%
Optional Bracket	LP-025, LP-050

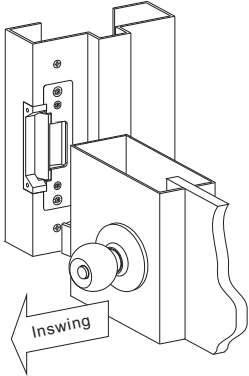
	Hollow Metal Frames	Wooden Frames	Bond Sensor Output	Installation
GK300	●			Mortise Mount
GK300M	●		●	Mortise Mount
GK301		●		Mortise Mount
GK301M		●	●	Mortise Mount
GK302		●		Mortise Mount
GK302M		●	●	Mortise Mount
GK310	●			Mortise Mount
GK310M	●		●	Mortise Mount
GK311		●		Mortise Mount
GK311M		●	●	Mortise Mount
GK312		●		Mortise Mount
GK312M		●	●	Mortise Mount
GK350	●	●		Surface Mount



Gk300 series electric strikes are designed for spring latch or lockset (e.g. cylindrical locks). The latch bolt lock comprises a latch bolt and a Nib . The GK300 electric strike can easily be changed between fail-safe and fail-secure modes. (versions)

GK300 , GK300M
GK310 , GK310M

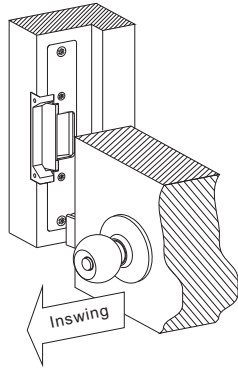
Hollow Metal Frames



Electric Strike

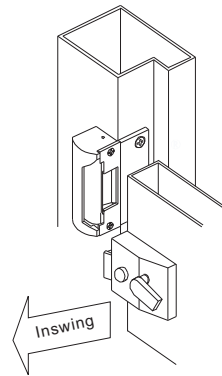
GK301 , GK301M
GK302 , GK302M
GK312 , GK312M
GK311 , GK311M

Wooden Frames



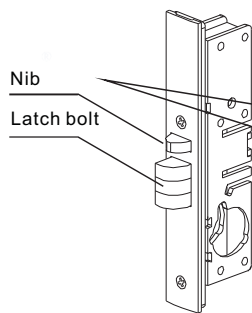
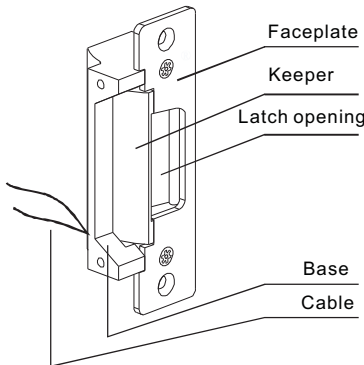
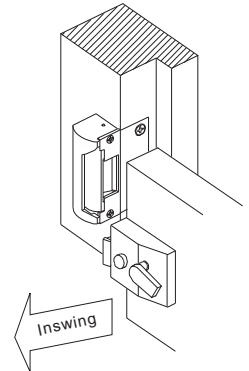
Mechanical lock set (excluded)

GK350
Hollow Metal Frames



(Surface mount installation sketch GK350)

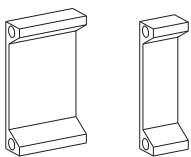
GK350
Wooder Frames



What is a Nib?
When the door is closed , the Nib makes the latch a dead bolt. The latch bolt locks into the strike keeper of the door frame to make sure that it is closed.

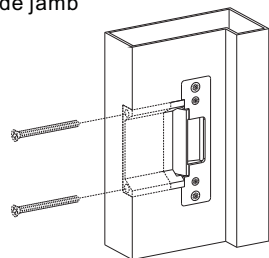
Optional Brackets

Lip extension brackets for wide jamb



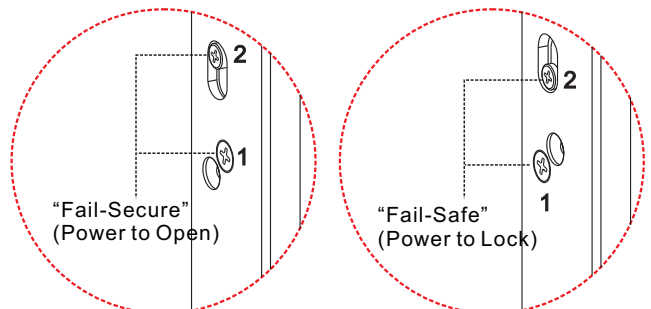
LP-050
50mm(L)

LP-025
25mm(L)

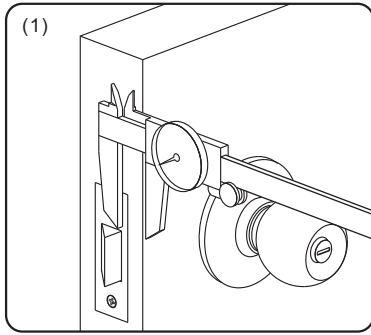


How to change Version?

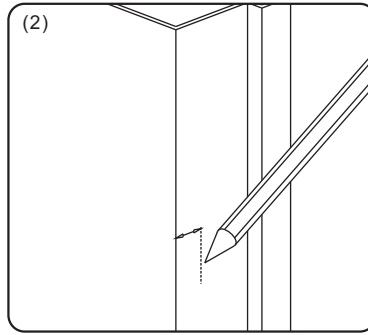
Field selectable by changing position of screws



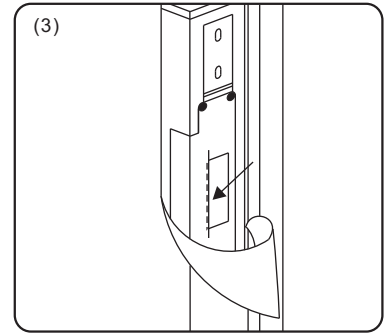
Installation Instruction



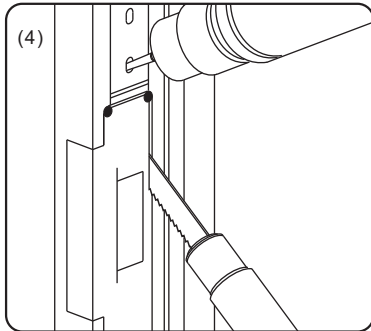
(1) Measure the latch position



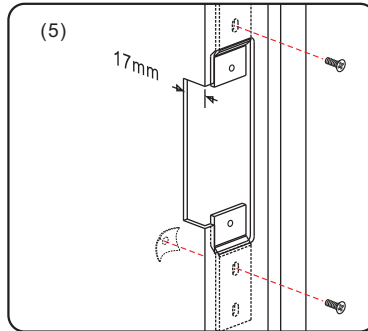
(2) Mark the latch position



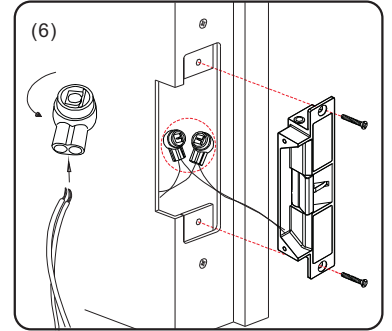
(3) Mount the supplied installation template and align to the marked line



(4) Drill and cut the hole according to the template supplied



(5) Tighten the fixing plug



(6) Connect the power and test the unit

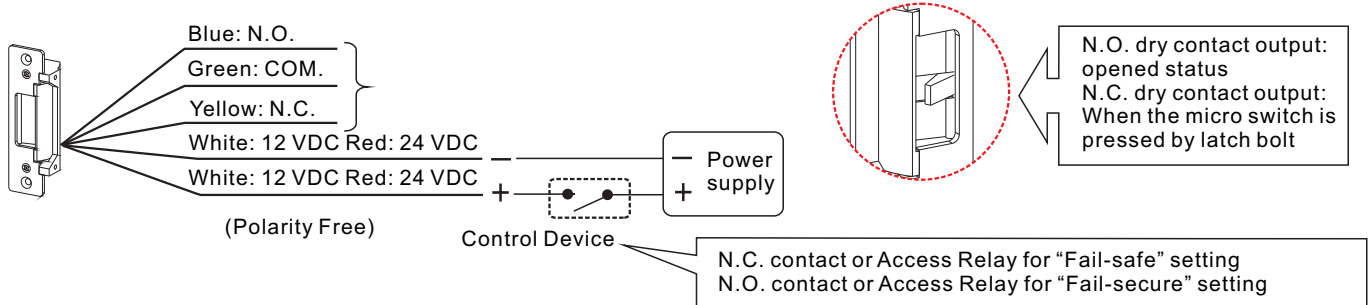
Caution:

Proper gap must be reserved between the strike keeper and latch bolt to prevent failure of solenoid valve.

Connecting Diagram

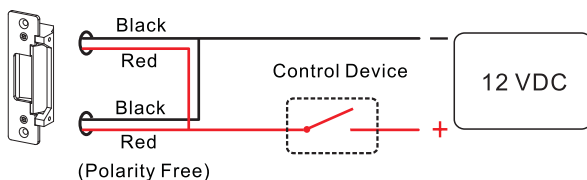
Single Voltage (12V or 24V)

Bond Sensor Output: GK300M , GK301M , GK302M, GK310M, GK311M, GK312M
Reed Switch rated: 3A/125VAC, 1.5A/250VAC

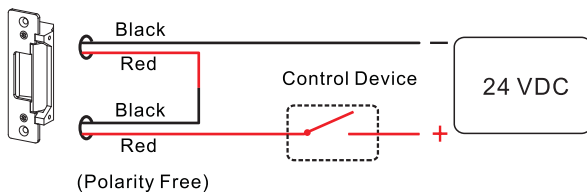


Dual Voltage (12V/24V)

For the 12 VDC operation, the electric strikes have to connect in parallel.



For the 24 VDC operation, the electric strikes have to connect in series.



Butt Splice (IDC) Connector

