

# Electric Strikes

## GK300 Series

Durable, Versatile Strikes for Residential and Business



SECURITY



The GK300 series ANSI electric strikes is designed for use with cylindrical locksets or mortise locksets without a deadbolt. It can be fitted to a wide range of applications and is field reversible for fail-safe or fail-secure operation.

### Standard Features

- Non-handed fully reversible
- Field reversible fail-safe or fail-secure
- Static strength 1,000 lbs (454Kg)
- Dynamic strength 50 ft-lbs
- Endurance rating 250,000 cycles UL tested, 1,000,000 cycles factory tested
- Trim plate included
- Brushed stainless steel (US32D) finish

### Optional Feature

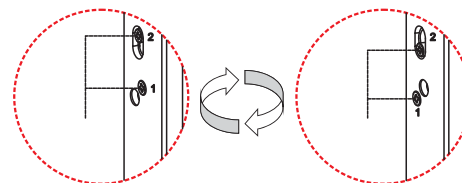
- Latch monitor

### Patents, Approvals, and Listings

- UL1034 burglary-resistant listed:BP10269 (GK300, 301, 310, 311 series)
- CE: EC741012-01

### Changing Fail-Safe or Fail-Secure





Fail-safe or Fail-secure is field reversible by changing the position of screws.



"Fail-Secure"  
Power to Open

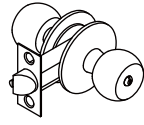
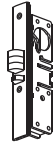
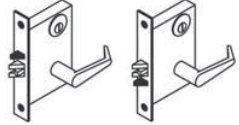
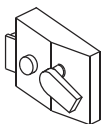
"Fail-Safe"  
Power to Lock

## GK300 Series ANSI Electric Strikes

Models	Voltage (VDC)	Latch Throw	Optional Latch Monitor	Reversible Fail-Safe Or Fail-Secure	Frame	Mount	Body Construction
<b>GK300</b> <b>GK300-ST</b>	12, 24, or dual 12/24 	9/16" (15mm)	●	●	Hollow Metal	Mortise	Zinc alloy Stainless steel
<b>GK301</b> <b>GK301-ST</b>	12, 24, or dual 12/24 	9/16" (15mm)	●	●	Wood	Mortise	Zinc alloy Stainless steel
<b>GK310</b> <b>GK310-ST</b>	12, 24, or dual 12/24 	9/16" (15mm)	●	●	Hollow Metal	Mortise	Zinc alloy Stainless steel
<b>GK311</b> <b>GK311-ST</b>	12, 24, or dual 12/24 	9/16" (15mm)	●	●	Wood	Mortise	Zinc alloy Stainless steel
<b>GK350</b>	12, 24, or dual 12/24	9/16" (15mm)	●	●	Hollow Metal, Wood	Surface	Aluminum alloy
<b>GK320</b>	12, 24, or dual 12/24	3/4" (19mm)	●	●	Hollow Metal	Mortise	Zinc alloy
<b>GK321</b>	12, 24, or dual 12/24	3/4" (19mm)	●	●	Wood	Mortise	Zinc alloy

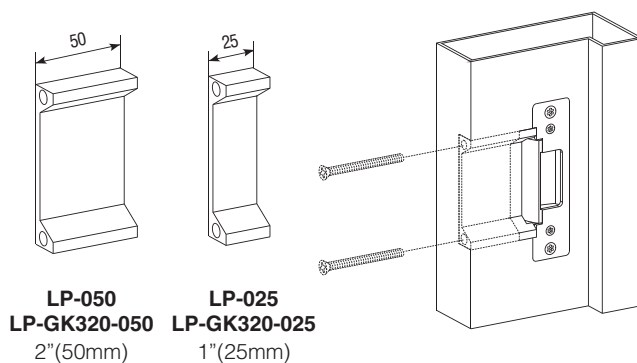


## Lockset Application (Note: Lockset is Not sold with electric strike model.)

Electric Strikes Models	Locksets
GK300, GK300-ST, GK301, GK301-ST, GK310, GK310-ST, GK311, GK311-ST, GK320, GK321	<b>Cylindrical</b> Lockset with center lined latchbolt 
GK300, GK300-ST, GK301, GK301-ST, GK310, GK310-ST, GK311, GK311-ST, GK320, GK321	<b>GEM-470R/470L</b> Lockset with center lined latchbolt 
GK320, GK321	<b>Mortise</b> Mortise locksets without a deadbolt 
GK350	<b>Night Latch</b> Rim lockset 

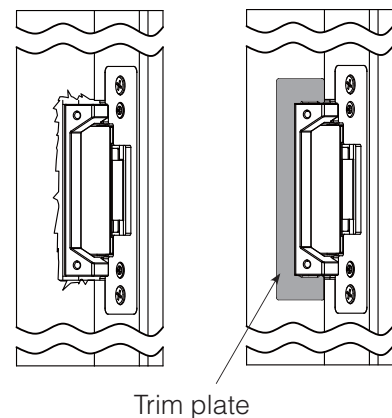
## Accessories

### Lip Extensions (Option)



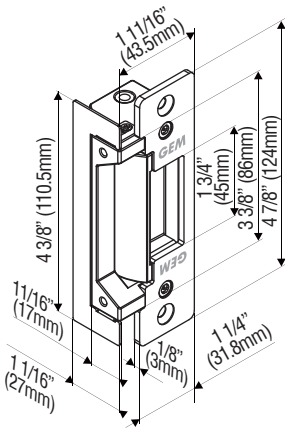
### Trim Plate

Trim plate is included to cover any imperfections caused while prepping the frame cut out.

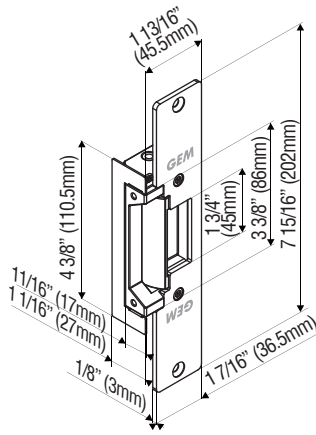


# Dimensions

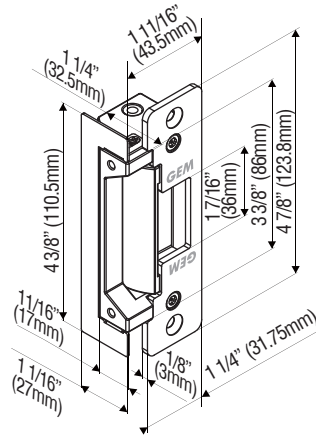
**GK300**



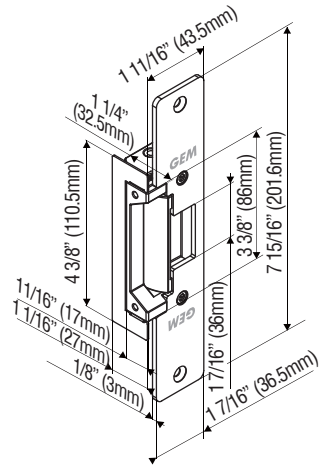
**GK301**



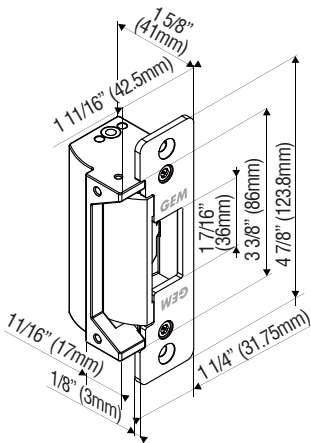
**GK310**



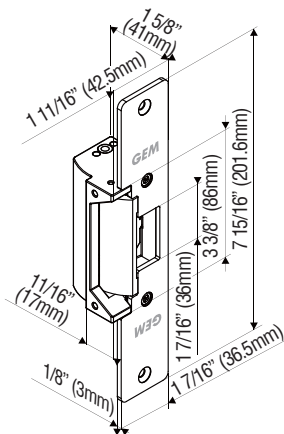
**GK311**



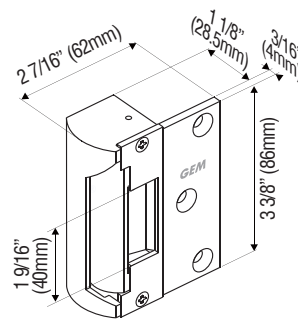
**GK320**



**GK321**



**GK350**



**Warranty**

The product is warranted against defects in material and workmanship while used in normal service for a period of 3 years from the date of sale to the original client. The GEM policy is one of continual development and improvement; therefore GEM reserves the right to change specifications without notice.