

E100 Series Escutcheon

General Description

The E100 series escutcheon is designed to fit Lockwood mechanical 3570 series mortice locks & provide a cost effective migration to an on line electronic access control door. In addition to card access the external side of the door provides for key override entry, whilst the inside lever is designed for emergency egress.

The external plate incorporates a sophisticated battery powered proximity reader that communicates wirelessly to a hub. The Hub is then wired directly to the access control system and enables standard on line access control functionality at significantly reduced costs to that of a hard wired door.

Key Features

- Wireless on line access control
- Authorisation changes in real time
- Audit trails and time zones managed through existing system
- Compatible with Lockwood 3570 series mechanical mortice locks
- Additional Key Override
- Emergency egress
- Lock can store up to 10 override credentials/prox cards
- Store last 200 events and audit trails locally in the lock
- Battery powered – up to 40,000 operations
- LED status
- Battery low warning sent to EAC system

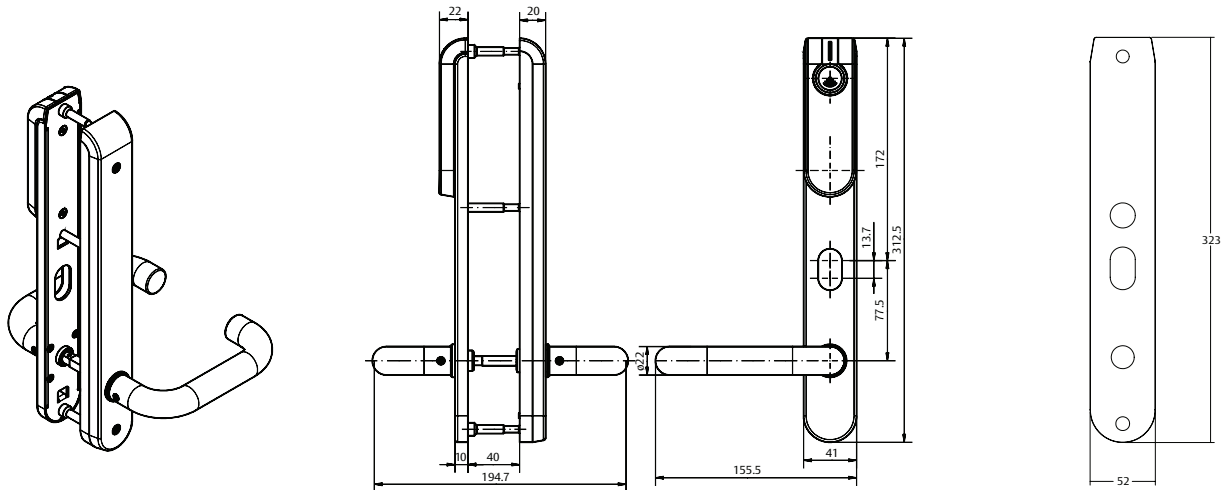
Applications

- Internal doors only
- Retro fit mechanical mortice locks
- Expand existing access control installations
- New access control installations
- Doors that cant be hard wired
- Heritage listed buildings



Function

- **External** lever is always locked. To unlock badge card and activate lever. Door automatically re locks after set time. Can also be opened via Key override.
- **Internal** lever is set to escape – free egress at all times.



E100 cover plate

E100 Technical Information

Battery type	1 x Lithium CR123A
Battery life time	>40,000 cycles
Radio standard	IEEE 802.15.4 (2.4GHz)
Encryption	AES128 Bit
Wireless range	5-25m depending on location of Hub & environment
RFID technology**	Mifare Classic / Desfire, Mifare Classic / Plus iCLASS and Prox 125 KHz
RFID Reading	UID / sector / block
Card read range	< 4cm
Operating temperature	0°C – 60°C
Humidity	< 85% non condensating
IP-degree	IP30
Approvals	CE
Colour	Brushed stainless steel
Override cylinder	Lockwood Australian oval 570 series
Door Thickness	35mm to 85mm Requires Spindle to Suit
Spindles	7.6mm
Backset	60mm

** Model dependant

Ordering Information

Product Description	Part Number
E100 V2 35-45 Door Mifare Classic / Desfire	E102MU1SS1
E100 V2 46-55 Door Mifare Classic / Desfire	E102MU1SS2
E100 V2 35-45 Door iCLASS	E102IU1SS1
E100 V2 46-55 Door iCLASS	E102IU1SS2

Accessories

Product Description	Part Number
E100 Cover Plate – Pair	E100-PL2SSS
Aperio Hub 1:8 RS485 Hub	AH30-3-0
3572 Series Mortice Lock To Suit E100 Series	3572SCNOHD

Spare Parts

Product Description	Part Number
Aperio Spindle Kit 35-45mm	E-SP35/45
Aperio Spindle Kit 45-55mm	E-SP45/55

Notes:

- E100 cover plate is used only if required when retro fitting existing door furniture.
- Each cover plate is 1.2mm thick. A total of 2.4mm should be added to door thickness if using these plates
- To change the spindle; special tools may be required