

# SC-HDR01S

HD-SDI to HDMI Converter

## Features

- Converting HD-SDI to HDMI signal
- HD-SDI loop through out feature
- HDMI output resolution selectable by rotary switch  
e.g.) Input: 1080p 30 → Output: 1080p 60
- Max. 200m (Full HD: 1.5G), 100m (Full HD: 3G) transmission over RG-6
- Max. 150m (Full HD: 1.5G) over RG-59
- HD-SDI repeater feature built-in
- Surge protection circuit built-in



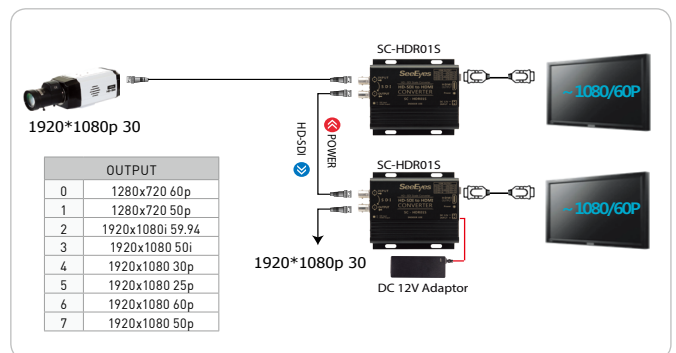
## SC-HDR01S Interface



## Specification

MODEL		SC-HDR01S			
Video In		HD-SDI(Full HD : 1.5G, Full HD : 3G)			
Video Out		HDMI (HDMI 1.3, HDCP 1.2, DVI 1.0 Compliant)			
		HD-SDI (for Buffered Output Repeater)			
HDMI Output Setup (Rotary DIP Switch)		SW NO.	OUTPUT	SW NO.	OUTPUT
		0	1280x720p 60	4	1920x1080p 30
		1	1280x720p 50	5	1920x1080p 25
		2	1920x1080i 59.94	6	1920x1080p 60
		3	1920x1080i 50	7	1920x1080p 50
Connection Port	HD-SDI In/Out	BNC-F_75Ω			
	HDMI Out	HDMI A Type			
	Power In	2PIN Terminal Block			
LED	SDI	Green	On : SDI Input		
	HDMI	Yellow	On : HDMI Output		
Input Power		Over DC12V / 0.5A			
Power Consumption		DC12V / Max. 2.6W			
Temperature / humidity		-10°C ~ +50°C / 0 ~ 80%			
Case body / Weight		Aluminium / 220g			
Dimension(mm)		93(W) x 93(H) x 35(D)			

## Connection Diagram



## Dimensions

